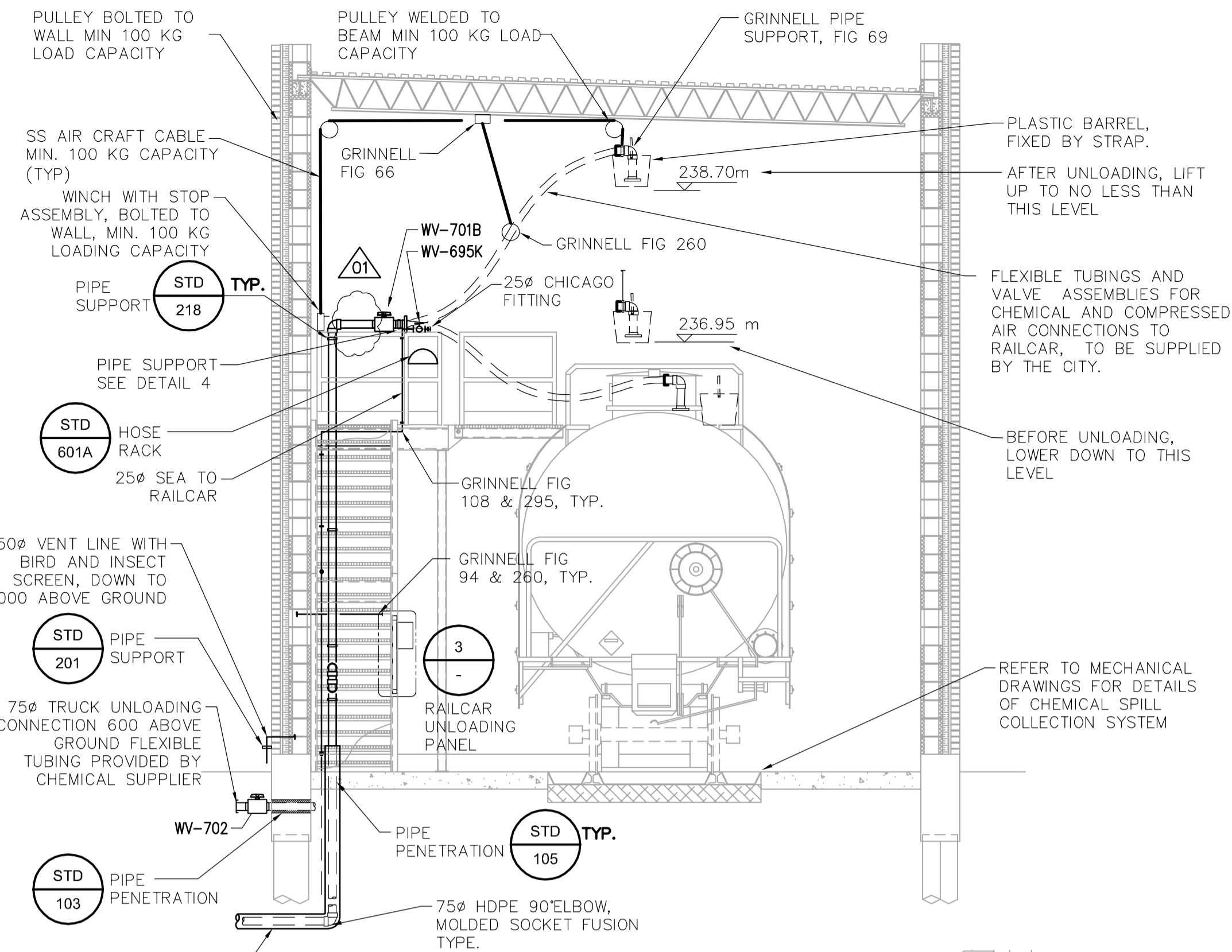
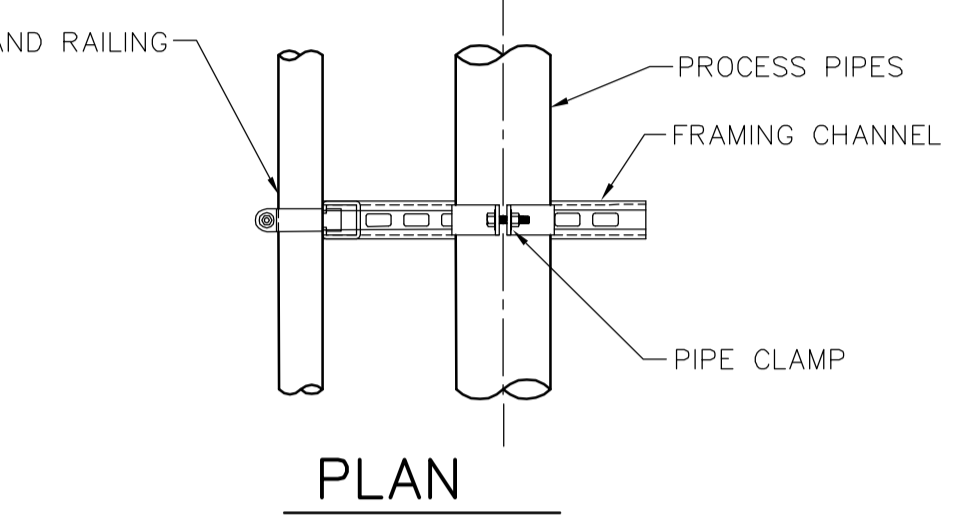
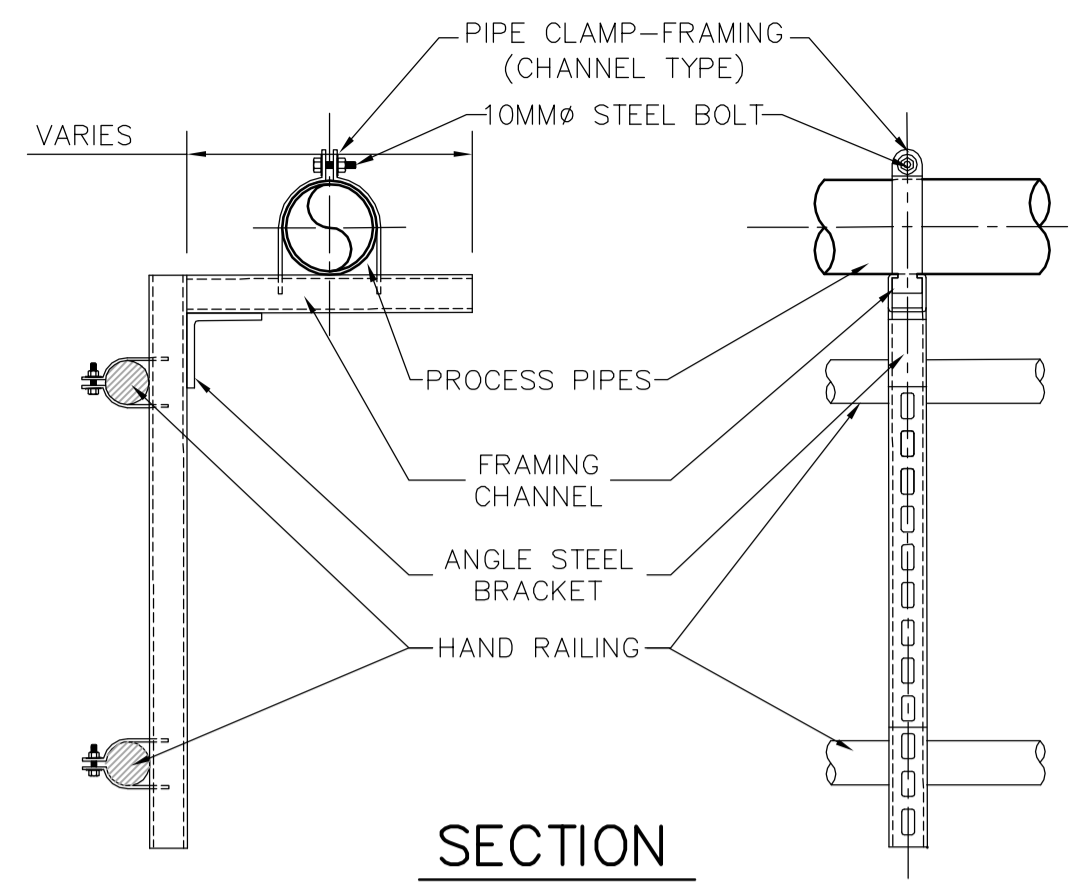


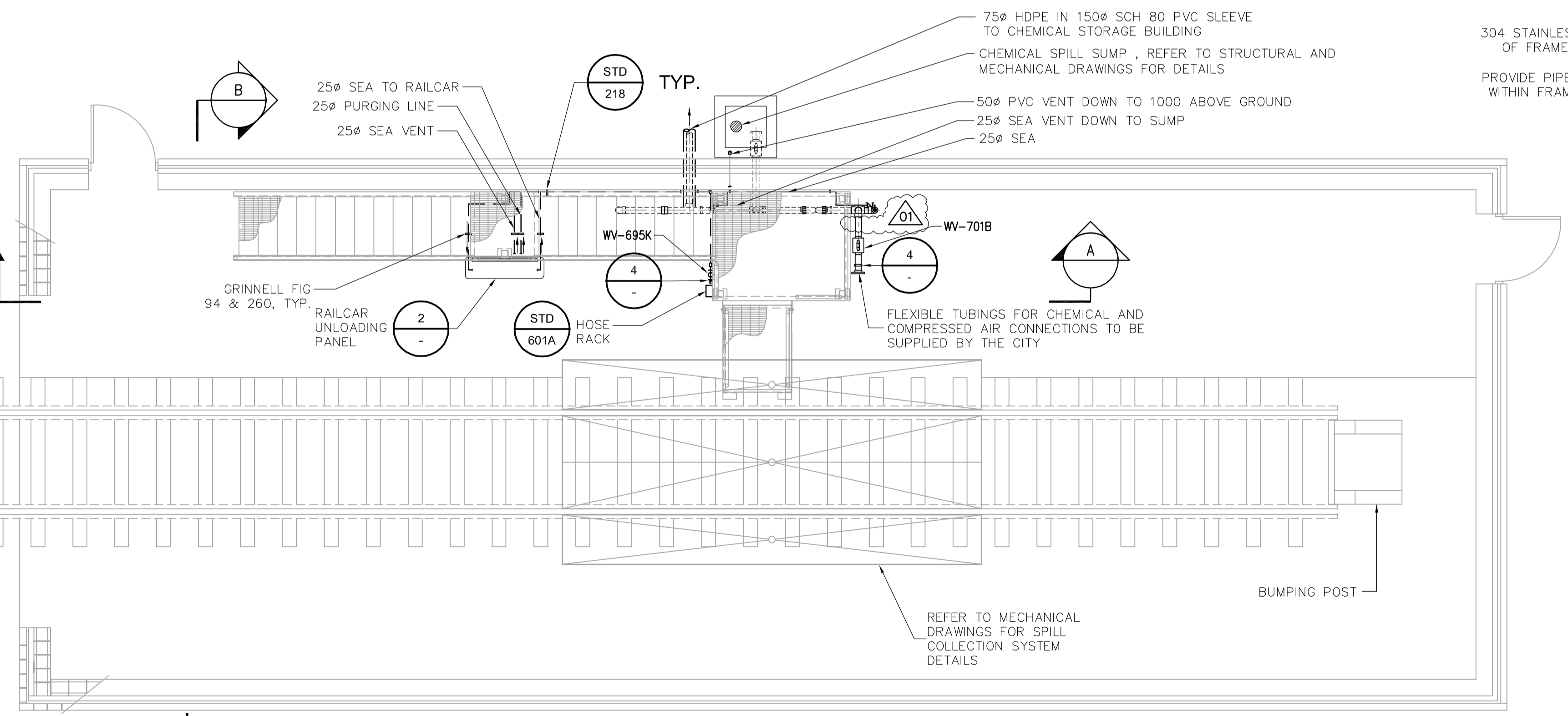
A SECTION
SCALE 1:50



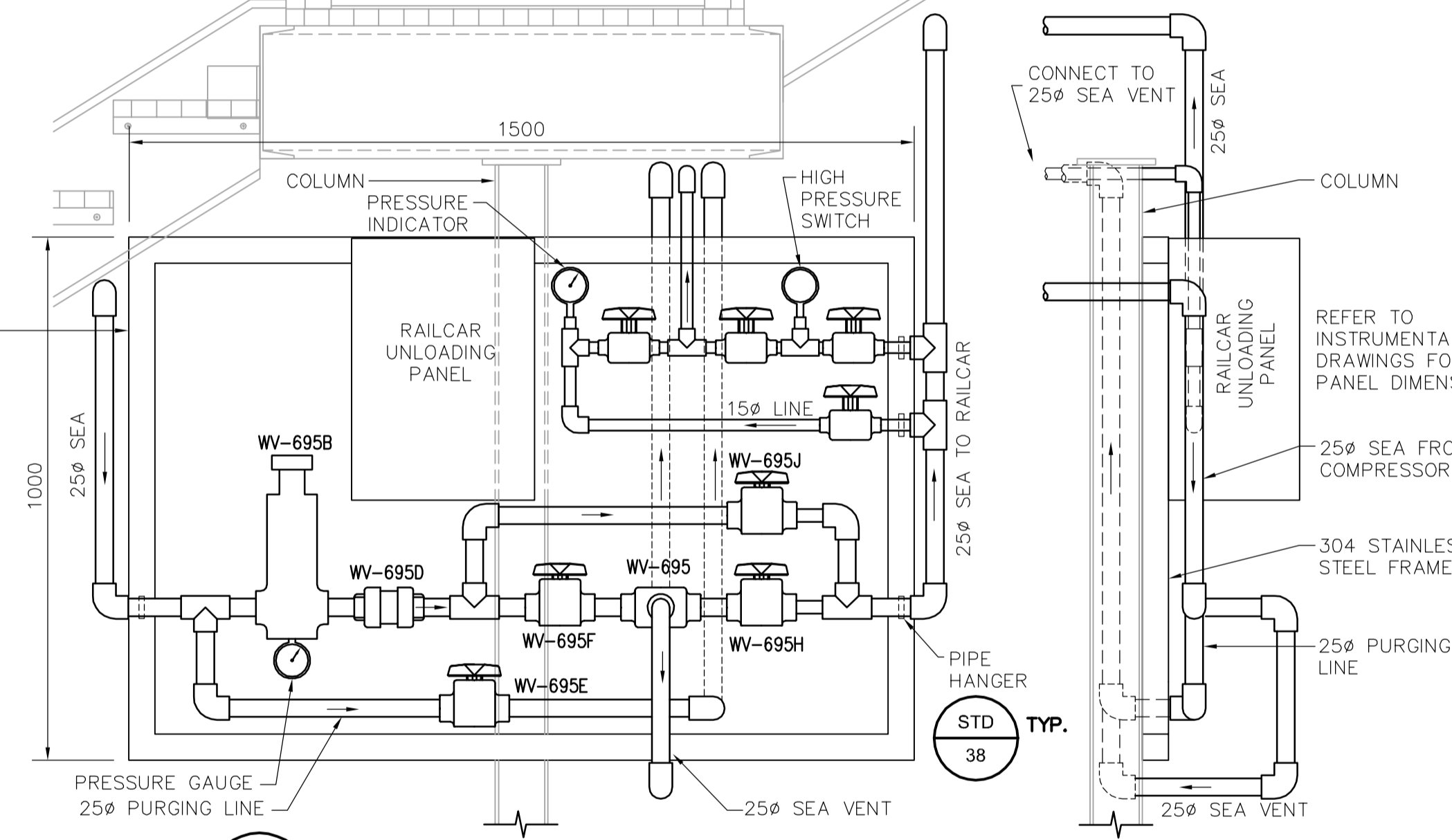
B SECTION
SCALE 1:50



4 PIPE SUPPORT
SCALE NTS

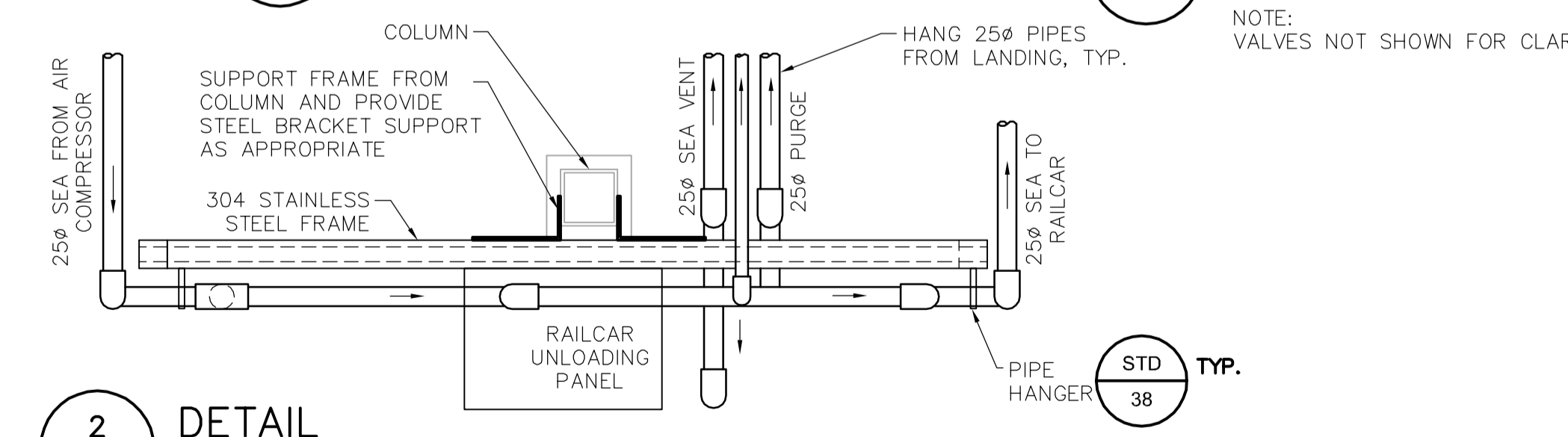


PLAN
SCALE 1:50



1 DETAIL
SCALE 1:10

3 DETAIL
SCALE 1:10
NOTE: VALVES NOT SHOWN FOR CLARITY



2 DETAIL
SCALE 1:10
NOTE: VALVES NOT SHOWN FOR CLARITY

NOTES
1. CHECK VALVES TO BE PVC BALL CHECK VALVES WITH VITON SEATS, RATED FOR 150 PSI. VALVES TO BE CHEMLINE, HAYWARD TRUE CHECK, OR EQUIVALENT.
2. PROVIDE WARNING SIGNS AT EACH DOOR ENTRANCE AND ON THE UNLOADING PLATFORM. SIGN TO STATE: WARNING: HAZARDOUS CHEMICAL, WEAR PERSONAL PROTECTIVE EQUIPMENT.



B.M. ELEV.					
EarthTech A Tyco International Ltd. Company					
DESIGNED BY	LW/SB	CHECKED BY	JEH	ENGINEER'S SEAL	
DRAWN BY	LAE	APPROVED BY	D. TANIGUCHI	ORIGINAL SIGNED BY	J.E. HUTCHISON
SCALE:	1:50	RELEASED FOR CONSTRUCTION BY:	K. MARTENS	DATE	2005/12/02
NO. REVISIONS		DATE	2005/07/28	DATE	05/12/02

THE CITY OF WINNIPEG
WATER AND WASTE DEPARTMENT
ENGINEERING DIVISION

NEWPCC CENTRATE NUTRIENT TREATMENT PHOSPHORUS REMOVAL FACILITY
CONTRACT No. 1

PROCESS
RAILCAR SHELTER
PLAN AND SECTIONS

CITY FILE NUMBER
SHEET OF
CITY DRAWING NUMBER
1-001F-A-P001-01-0-D