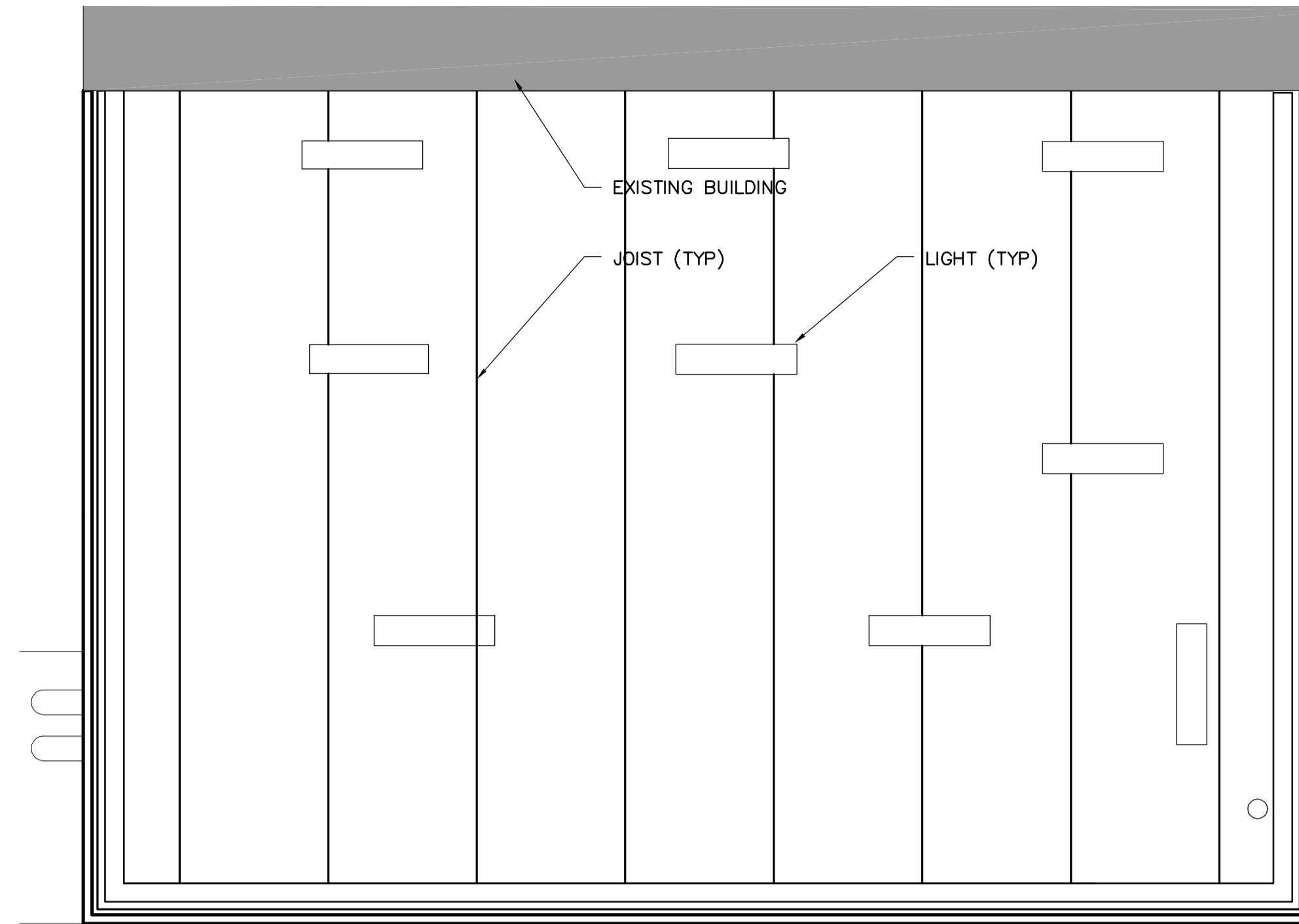


ROOF PLAN
SCALE : 1:50



REFLECTED CEILING PLAN
SCALE : 1:50

CODE ANALYSIS

DATE: SEPTEMBER 16, 2005

NORTH END WINNIPEG WATER POLLUTION CONTROL CENTRE
2330 MAIN STREET
WINNIPEG, MANITOBA
R2V 4T8

NEW CENTRATE FACILITY
BUILDING CODE ANALYSIS

1.0 DESCRIPTION

- BUILDING AREA: 1,453.7 M² (15,641.8 SF) EXISTING PLUS 102.3 M² (1,100.7 SF) OF NEW ADDITION = 1,556.0 M² (16,742.6 SF) TOTAL AREA.
- STORIES: (3)
- SPRINKLERED: NO
- OCCUPANCY TYPE: GROUP F, DIVISION 3
- OCCUPANT LOAD: 7 EXISTING, PLUS 1 NEW = 8 TOTAL.
- STREETS: (3)

2.0 REGULATION

1. THIS PROJECT MAY BE REGULATED UNDER 3.2.2.76., GROUP F, DIVISION 3, UP TO 4 STOREYS

2. CLASSIFICATION

1. REQUIREMENTS:

- ≤ 2,400 M² (10,760 SF) BUILDING AREA (CONFORMS: 1,556 M²)
- ≤ (4) STOREYS (CONFORMS: 3)
- UNSPRINKLERED (CONFORMS)
- TYPE "F-3" OCCUPANCY (CONFORMS)
- (3) STREETS (CONFORMS)

2. STIPULATIONS:

- MAY BE COMBUSTIBLE OR NON-COMBUSTIBLE CONSTRUCTION
- FLOOR ASSEMBLIES - 45 MINUTES FRR - NA
- LOAD BEARING ELEMENTS - 45 MINUTES FRR - NA

3.0 GENERAL CONFORMANCE

1. 3.4.2.5 - TRAVEL DISTANCE: NEW CENTRATE ADDITION

1. MAXIMUM TRAVEL DISTANCE TO AN EXIT IS 30 M (98') (CONFORMS: MAX. TRAVEL OF 13 M).

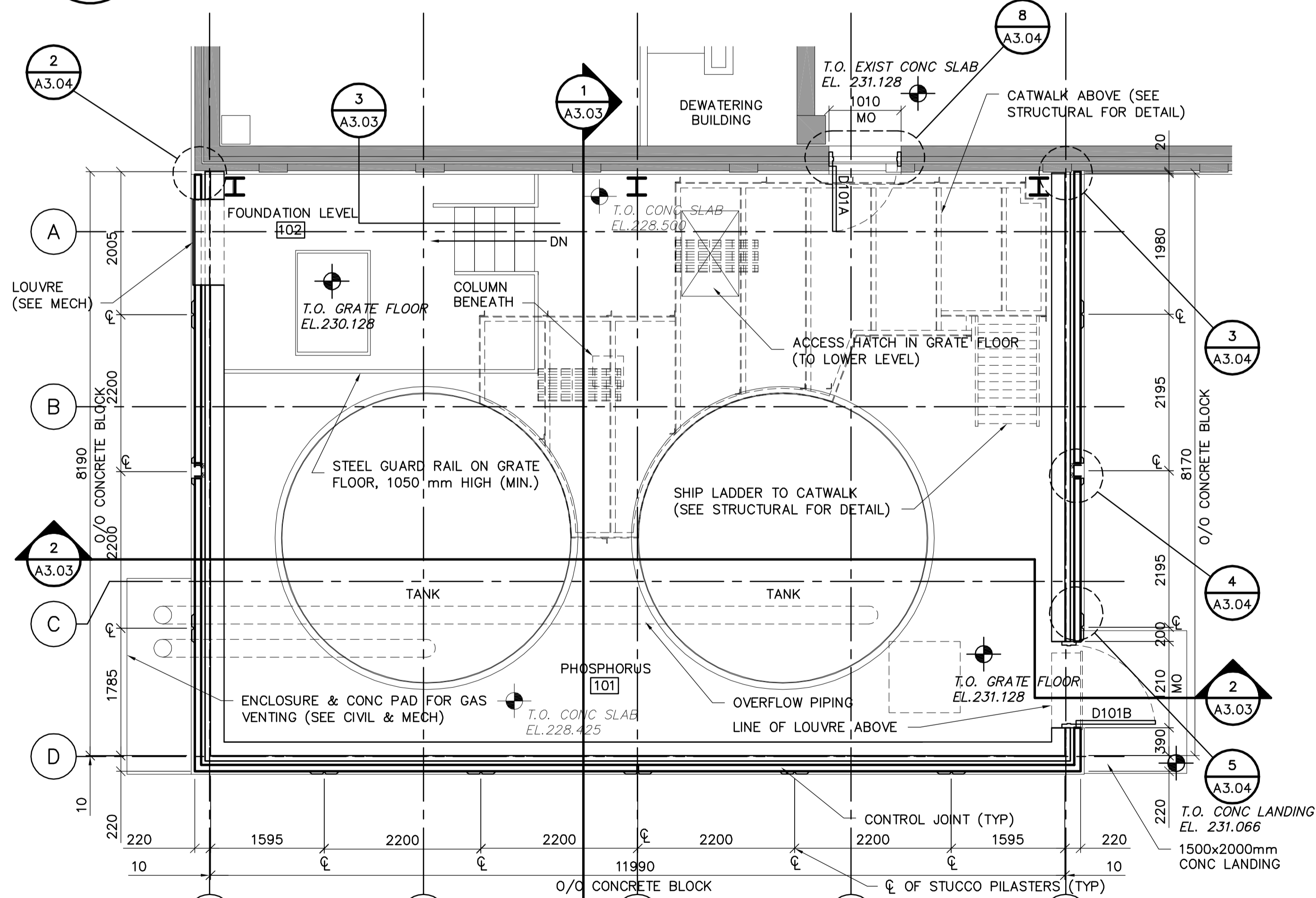
2. 3.4.2.1 - NUMBER OF EXITS: NEW CENTRATE ADDITION

1. (1) EXIT IS REQUIRED (< 200 M²) (CONFORMS: 2 PROVIDED).

3.3.2.3.1 - LIMITING DISTANCE

1. NO ISSUES

NOTE: SEE ELECTRICAL FOR LIGHTING LOCATIONS AND SCHEDULE



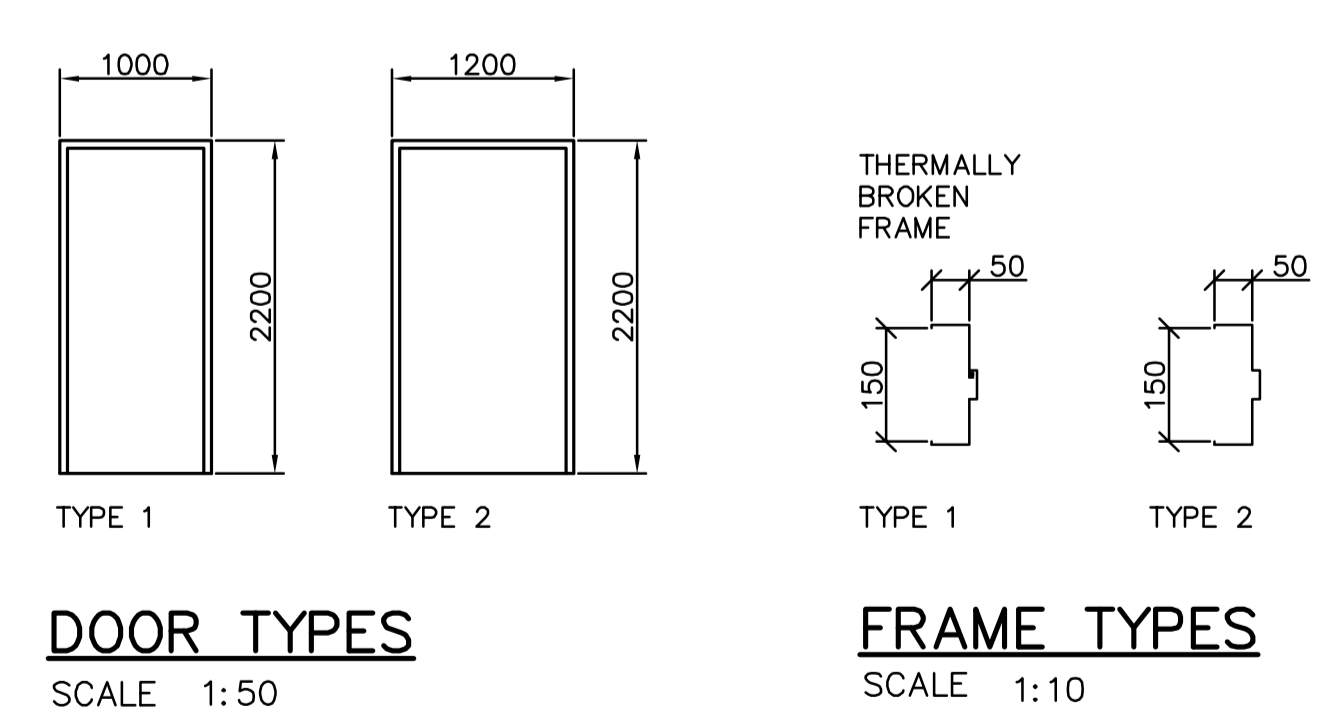
MAIN FLOOR PLAN
SCALE : 1:50

DOOR SCHEDULE

DOOR NO	TO ROOM	SIZE	DOOR			FRAME				HDW GROUP	FIRE RATING	GRILLES	COMMENTS				
			SWING	TYPE	MAT	MAT	TYPE	FINISH	COLOUR					PROFILE			
D101A	PHOSPHORUS	45x915x2150	RH	1	HM	PT	A	2	HM	WLD	PT	A	1	N/A	N/A	RHR ACTIVE	
D101B	PHOSPHORUS	45x1100x2150	LHR	2	HM	INSUL	PT	A	1	HM	WLD	PT	A	2	N/A	N/A	RHR ACTIVE

FINISH SCHEDULE

ROOM NO	ROOM NAME	FLOORING		WALLS												CEILING		COMMENTS				
		MAT	COLOUR	NORTH			EAST			SOUTH			WEST			MAT	FINISH					
		BASE	COL	MAT	FINISH	COLOUR	MAT	FINISH	COLOUR	MAT	FINISH	COLOUR	MAT	FINISH	COLOUR	MAT	FINISH		HGT	AFF		
101	PHOSPHORUS	GRATE	A	PT	A	CB	PT	C	CB	PT	C	CB	PT	C	CB	PT	C	METAL	PT	D	4000	
102	FOUNDATION LEVEL	ELAST	B	ELAST	B	CB	PT	B	CB	PT	B	CB	PT	B	CB	PT	B	METAL	PT	D	4900	



HARDWARE SCHEDULE

GROUP 1 D101A

3 BUTT HINGES	TA 314 4-1/2"x4" NRP	McKINNEY	26D
1 LOCKSET	AU5407 x ASA	YALE (WITHOUT CYLINDER)	26D
1 FLOOR STOP	S113	STANDARD METAL	26D
1 WEATHERSTRIP	W29 1/3 + .2/7	KN CROWDER	CA
1 DOOR SWEEP	W24S - 36"	KN CROWDER	CA
1 THRESHOLD	CT11 - 36"	KN CROWDER	CA
1 CLOSER	4041	LCN	689

GROUP 2 D101B

3 BUTT HINGES	TA 314 4-1/2"x4" NRP	McKINNEY	26D
1 EXIT DEVICE	98E0	VON DUPRIN	626
1 WEATHERSTRIP	W29 1/3 + .2/7	KN CROWDER	CA
1 DOOR SWEEP	W24S - 36"	KN CROWDER	CA
1 THRESHOLD	CT11 - 36"	KN CROWDER	CA
1 CLOSER	4041	LCN	689
BLANK (NO HARDWARE) ON EXTERIOR			



B.M. ELEV.

EarthTech
A Tyco International Ltd. Company

DESIGNED BY: NC	CHECKED BY: NC
DRAWN BY: LK	APPROVED BY: D. TANIGUCHI
SCALE: AS SHOWN	RELEASED FOR CONSTRUCTION BY: K. MARTENS
DATE: 2005/09/16	DATE: 05/12/02

THE CITY OF WINNIPEG
WATER AND WASTE DEPARTMENT
ENGINEERING DIVISION

Winnipeg

NEWPCC CENTRATE NUTRIENT TREATMENT
PHOSPHORUS REMOVAL FACILITY
CONTRACT No. 1

CITY FILE NUMBER

SHEET 1 OF 4

CITY DRAWING NUMBER
1-010F-A-0005-001-01-D

ARCHITECTURAL
CHEMICAL STORAGE BUILDING
ROOF, MAIN FLOOR, & CEILING PLANS & SCHEDULES

CONSULTANT DRAWING NO.
CA3.01