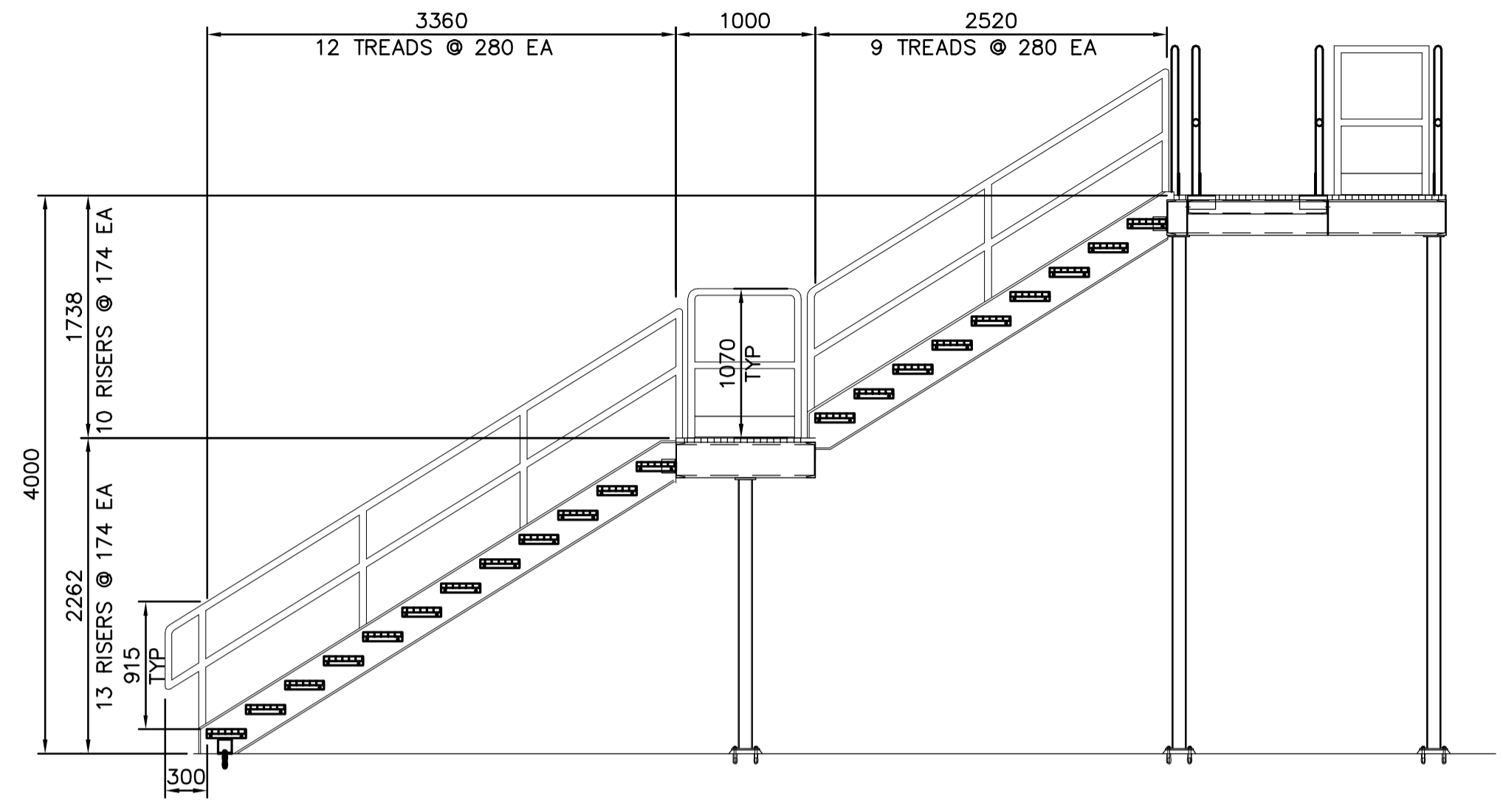
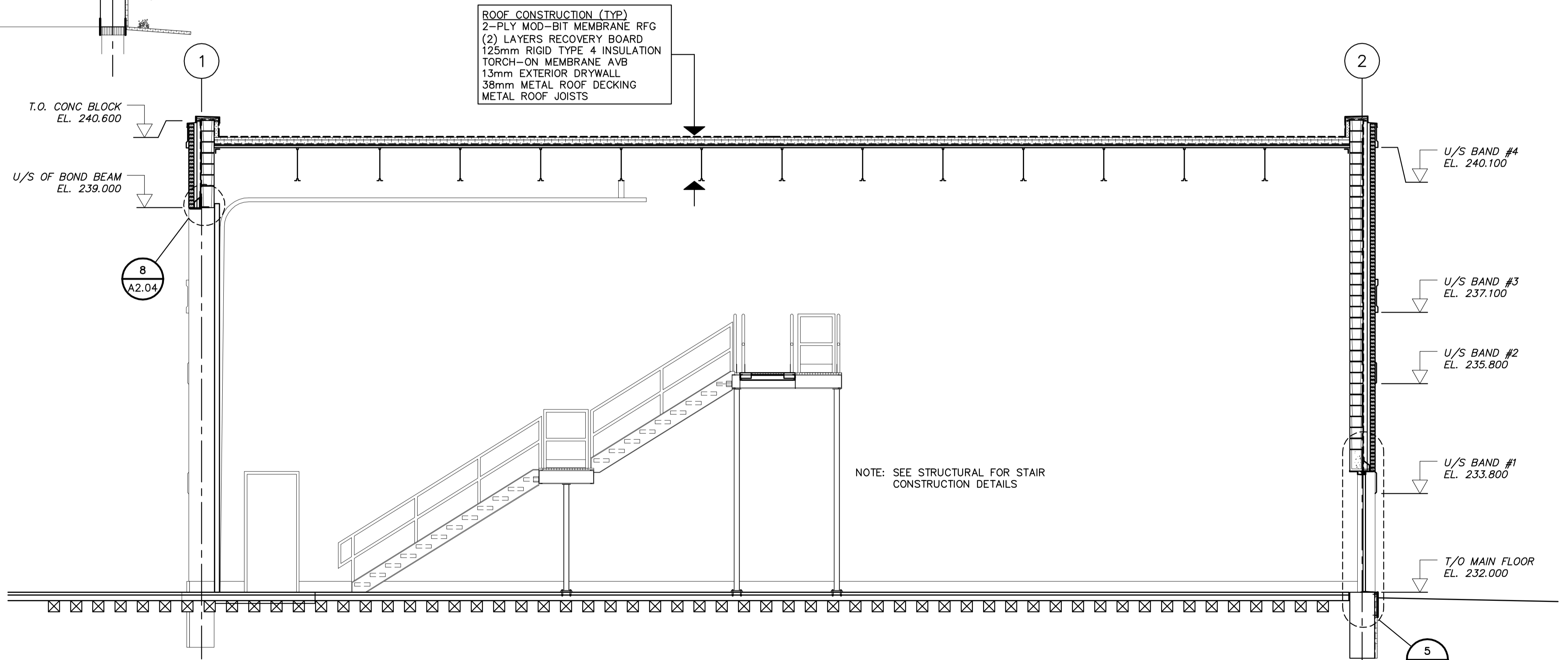


1 BUILDING SECTION
SCALE 1:50



3 STAIR DETAIL
SCALE 1:40



2 BUILDING SECTION
SCALE 1:50



NO.	REVISIONS	DATE	BY
01	611-2005 ADDENDUM 1	06/01/13	LK
00	ISSUED FOR TENDER	05/12/2	LK

EarthTech
A Tyco International Ltd. Company

DESIGNED BY: NC	CHECKED BY: NC
DRAWN BY: LK	APPROVED BY: D. TANIGUCHI
SCALE: AS NOTED	RELEASED FOR CONSTRUCTION BY: K. MARTENS
DATE: 2005/10/07	DATE: 05/12/02



THE CITY OF WINNIPEG
WATER AND WASTE DEPARTMENT
ENGINEERING DIVISION

NEWPCC CENTRATE NUTRIENT TREATMENT
PHOSPHORUS REMOVAL FACILITY
CONTRACT No. 1

ARCHITECTURAL
RAILCAR BUILDING
BUILDING SECTIONS

CITY FILE NUMBER
SHEET 3 OF 4
CITY DRAWING NUMBER
1-001F-A-B0003-001-01-D