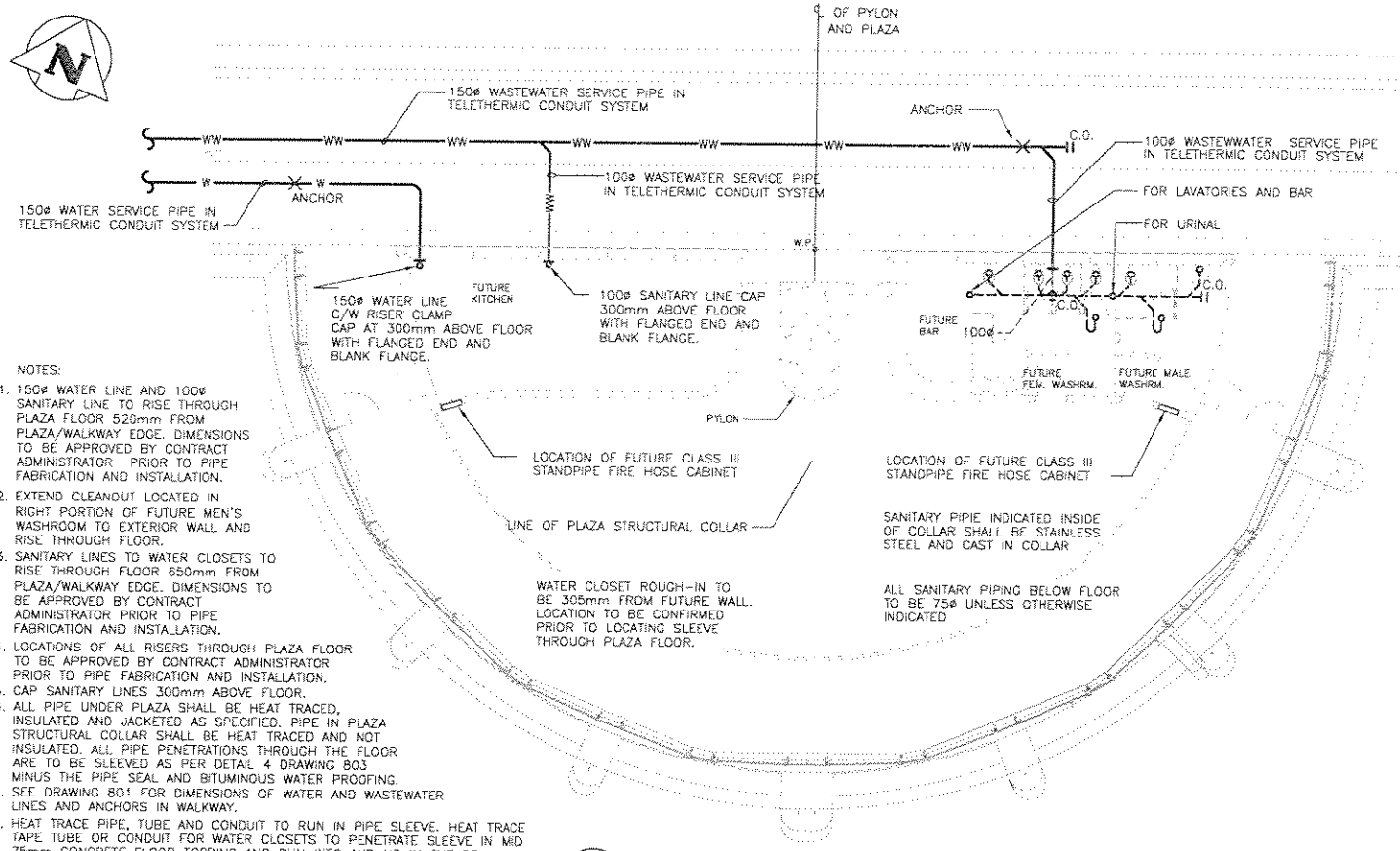


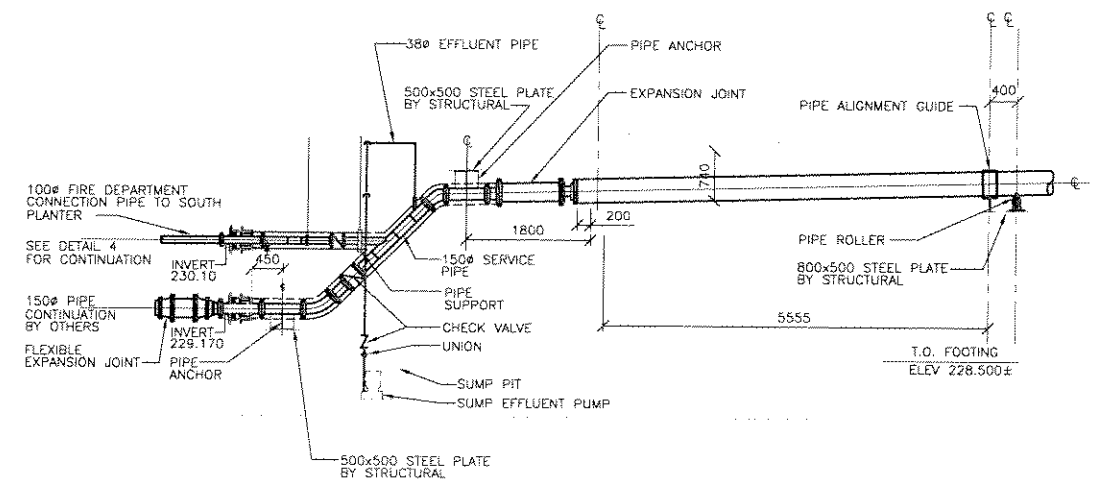
- NOTES:
1. ALL INTERIOR PIPE SHALL BE HEAT TRACED, INSULATED AND JACKETED AS SPECIFIED.
 2. PROVIDE ASSISTANCE TO, AND COORDINATE WITH, THE OUTSIDE SERVICE CONTRACTOR DURING INSTALLATION OF WATER AND WASTEWATER SERVICES TO WEST ABUTMENT.

1 PLAN WEST ABUTMENT
1 : 50

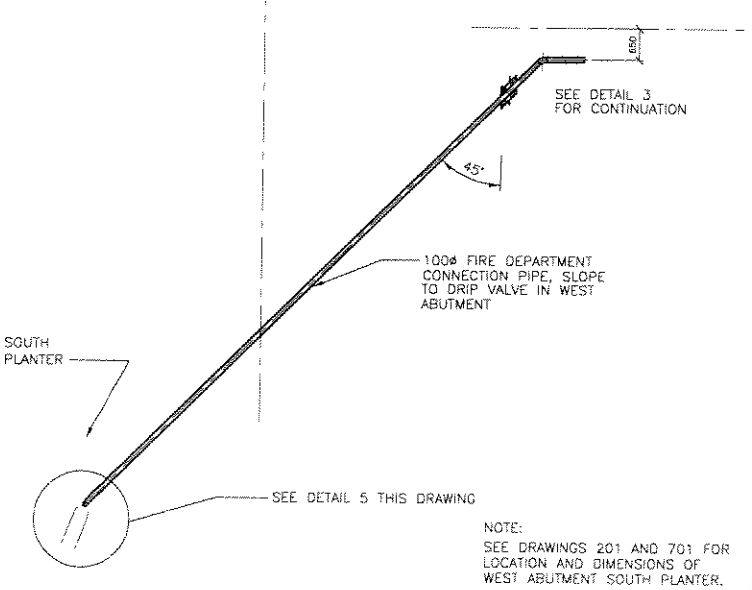


- NOTES:
1. 150mm WATER LINE AND 100mm SANITARY LINE TO RISE THROUGH PLAZA FLOOR 520mm FROM PLAZA/WALKWAY EDGE. DIMENSIONS TO BE APPROVED BY CONTRACT ADMINISTRATOR PRIOR TO PIPE FABRICATION AND INSTALLATION.
 2. EXTEND CLEANOUT LOCATED IN RIGHT PORTION OF FUTURE MEN'S WASHROOM TO EXTERIOR WALL AND RISE THROUGH FLOOR.
 3. SANITARY LINES TO WATER CLOSETS TO RISE THROUGH FLOOR 650mm FROM PLAZA/WALKWAY EDGE. DIMENSIONS TO BE APPROVED BY CONTRACT ADMINISTRATOR PRIOR TO PIPE FABRICATION AND INSTALLATION.
 4. LOCATIONS OF ALL RISERS THROUGH PLAZA FLOOR TO BE APPROVED BY CONTRACT ADMINISTRATOR PRIOR TO PIPE FABRICATION AND INSTALLATION.
 5. CAP SANITARY LINES 300mm ABOVE FLOOR.
 6. ALL PIPE UNDER PLAZA SHALL BE HEAT TRACED, INSULATED AND JACKETED AS SPECIFIED. PIPE IN PLAZA STRUCTURAL COLLAR SHALL BE HEAT TRACED AND NOT INSULATED. ALL PIPE PENETRATIONS THROUGH THE FLOOR ARE TO BE SLEEVED AS PER DETAIL 4 DRAWING 803 MINUS THE PIPE SEAL AND BITUMINOUS WATER PROOFING.
 7. SEE DRAWING 801 FOR DIMENSIONS OF WATER AND WASTEWATER LINES AND ANCHORS IN WALKWAY.
 8. HEAT TRACE PIPE, TUBE AND CONDUIT TO RUN IN PIPE SLEEVE. HEAT TRACE TAPE TUBE OR CONDUIT FOR WATER CLOSETS TO PENETRATE SLEEVE IN MID 75mm CONCRETE FLOOR TOPPING AND RUN INTO AND UP IN FUTURE EXTERIOR WALL. HEAT TRACE PIPES, TUBING AND CONDUIT TO BE CAPPED 300mm ABOVE THE FLOOR.

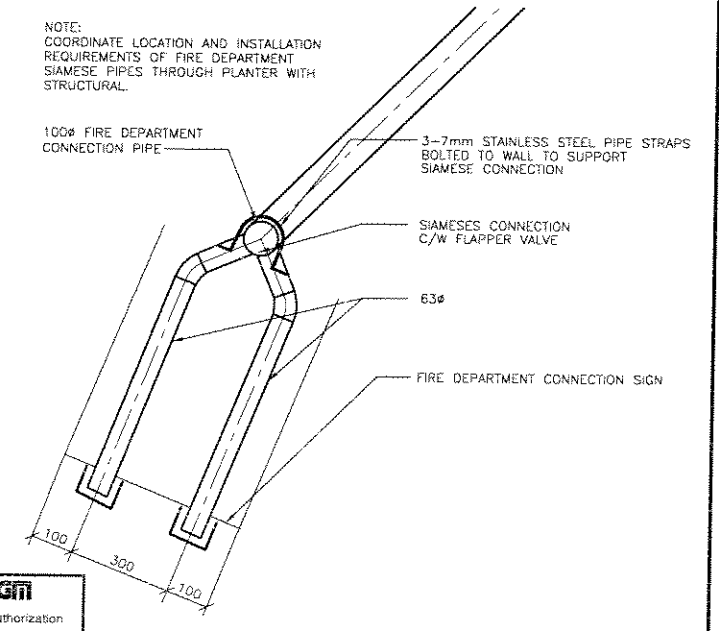
2 CENTRE PLAZA SERVICE PIPE PLAN
1 : 100



3 WEST ABUTMENT SERVICE PIPE SECTION
1 : 50



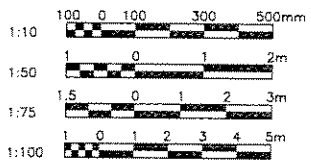
4 FIRE DEPARTMENT CONNECTION PIPING LAYOUT
1 : 75



5 FIRE DEPARTMENT SIAMESE CONNECTION
1 : 10

W.A.P.E.G.M.
Certificate of Authorization
No. 195
Expires APRIL 30, 2002
J.D. BRIGHTY
signature
02.05.06
date

RECORD DRAWING
DATE 04.11.29 BY G.J.
REVIEWED BY _____



B.M. ELEV.		F.B.		WARDROP Engineering Inc.		ORIGINAL DRAWING REVISION "0" SEALED BY J.D. BRIGHTY 02.05.06		THE CITY OF WINNIPEG PUBLIC WORKS DEPARTMENT ENGINEERING DIVISION	
DESIGNED BY	J.B.	CHECKED BY	J.D.B.	DRAWN BY	M.F.P. / A.A.A.	APPROVED BY	R.v.G.	PROVENCHER PAIRED BRIDGES PROJECT PEDESTRIAN BRIDGE	
2	RECORD DRAWING	04.11.29		HOR. SCALE:	AS NOTED	ACCEPTED BY DATE		CITY DRAWING NUMBER B231-02-087	
1	ISSUED FOR CONSTRUCTION	02.07.29	J.D.B.	VERTICAL:		ORIGINAL DRAWING SIGNED BY	B. EBENSPANGER (02.05.06)	PLAZA WATER AND WASTEWATER SYSTEM PLANS, SECTION AND DETAIL	
0	ISSUED FOR TENDER	02.05.06	J.D.B.	DATE	02.05.06	CONSULTANT DRAWING NO.	010007-13-02	SHEET OF 802	