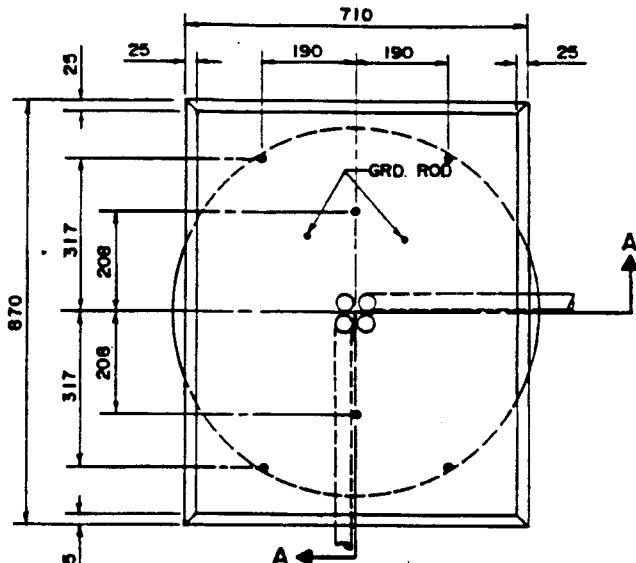
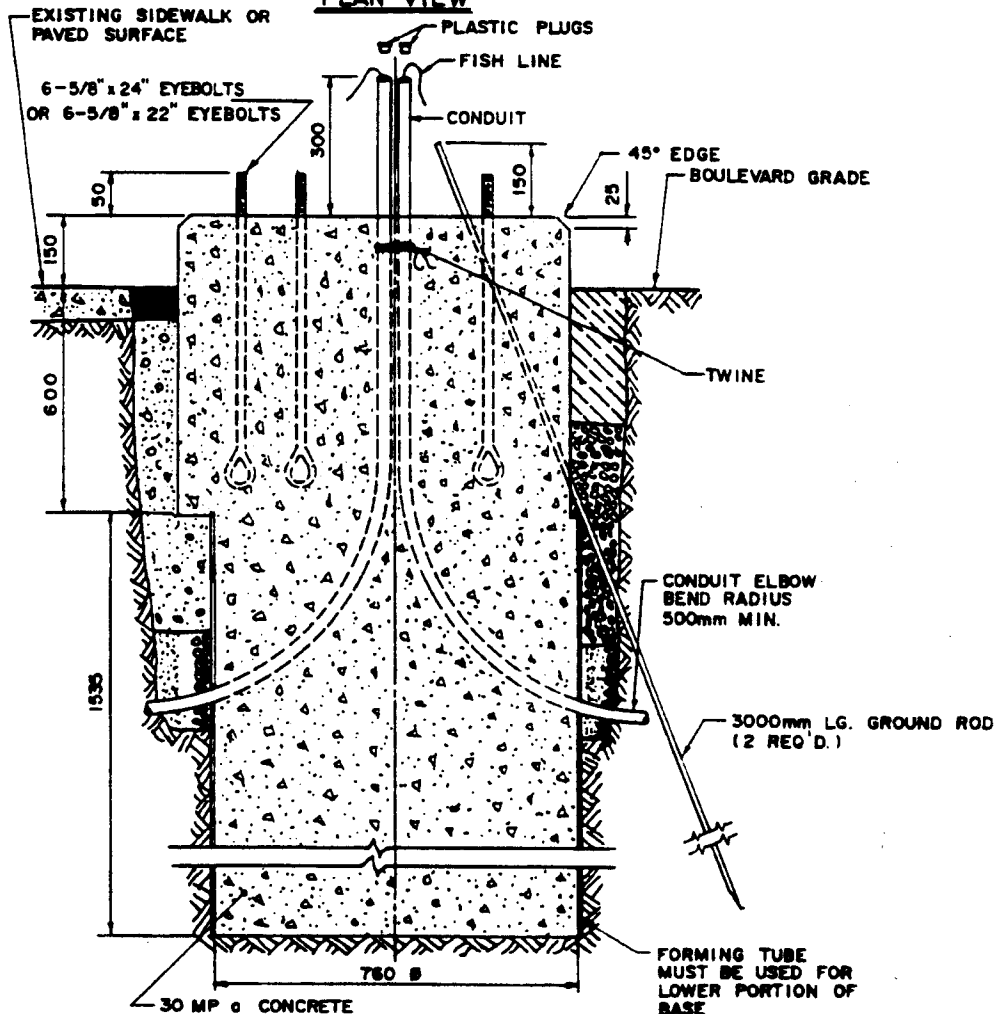


Notes:

- 760 mm forming tube, top ring form and anchor bolt template shall be used. (Drawing ST-103)
- Threaded portion of anchor eyebolts shall be coated with oil prior to concrete pour.
- All conduits shall be bundled into a group in centre of base, and tied together below the top of the base prior to concrete pour.
- Terminate conduits a minimum of 300mm above base.
- Install 2 ground rods at every base.
- Contractor shall remove top forms, and salvage nuts and anchor eyebolt template following a minimum 24 hour concrete curing period.
- Backfill shall conform to requirements of Drawing No. ST-101, "Standard Beddings and Backfills for Underground Traffic Signals Works".



FRONT OF CONTROLLER
PLAN VIEW



SECTION A-A

DIMENSIONS ARE IN MILLIMETRES.
(Unless otherwise noted)

NO.	DATE	DESCRIPTION	BY
1.		RELOCATED GROUND ROD	
2.		RELOCATED GROUND ROD	

The City Of Winnipeg
Works & Operations Division

Reference Sp. No.
CW 3620-R6

CONCRETE BASE FOR
TYPE 170 CONTROLLER

Designed By:

Drawn By: *AB*

Scale:

N.T.S.

Check By: *SA*

Date: 89-04-12

Drawing No.

Approved By:

ST-87

CHARTER D. 100