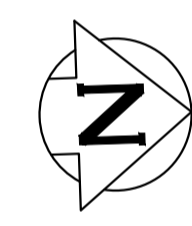


WATER SERVICE INFORMATION

ADDRESS	SIZE (mm) MATERIAL (STREET)	SIZE (mm) MATERIAL (PROP.)	SHORT & LONG MEASUREMENT	CORP LOCATION	REMARKS
229 LINWOOD ST	-	-	1.95 SNL BLDG	-	RECONNECT SERVICE
RESIDENTIAL	-	-	111.040>NNL PORTAGE AVE	-	-
233 LINWOOD ST	-	-	1.32 SNL BLDG	-	RECONNECT SERVICE
RESIDENTIAL	-	-	126.710>NNL PORTAGE AVE	-	-
235 LINWOOD ST	-	-	3.15 SNL BLDG	-	RECONNECT SERVICE
RESIDENTIAL	-	-	140.060>NNL PORTAGE AVE	-	-
239 LINWOOD ST	-	12	1.19 SNL BLDG	-	RECONNECT SERVICE
RESIDENTIAL	-	LEAD	157.73>NNL PORTAGE AVE	-	-
243 LINWOOD ST	-	-	9.93 NSL BLDG	OPP OF S/C	RECONNECT SERVICE
RESIDENTIAL	-	-	173.260>NNL PORTAGE AVE	-	-
* 247 LINWOOD ST	20	12	10.49 NSL BLDG	1.3 S OF S/C	RENEW TO R W/20 CU
RESIDENTIAL	CU	CU	188.850>NNL PORTAGE AVE	-	-
* 251 LINWOOD ST	-	-	7.42 NSL BLDG	1.3 N OF S/C	RENEW TO R W/20 CU
RESIDENTIAL	-	-	202.410>NNL PORTAGE AVE	-	-

* SERVICES TO BE RENEWED TO R. ALL OTHERS TO BE RECONNECTED

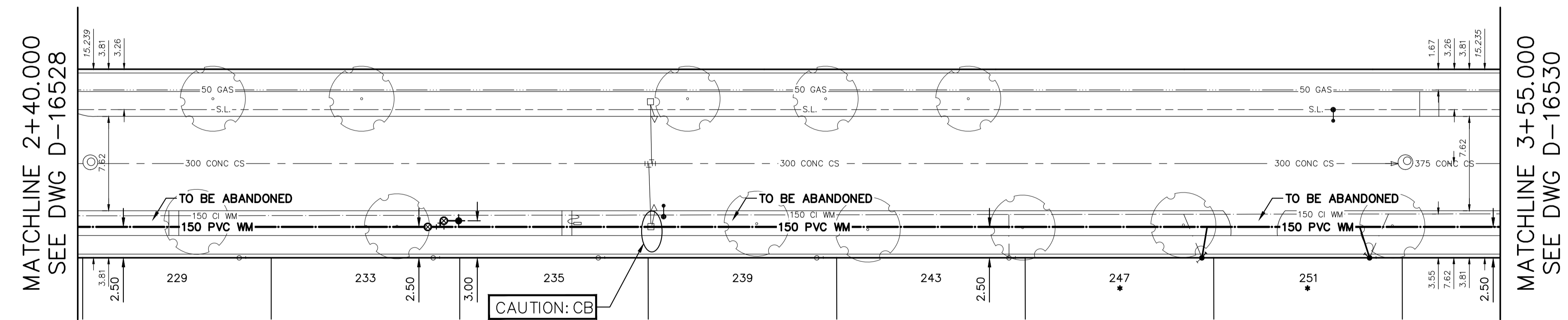
NOTE: CHAINAGES SHOWN ARE ALONG E. R. OF LINWOOD STREET



LINWOOD STREET

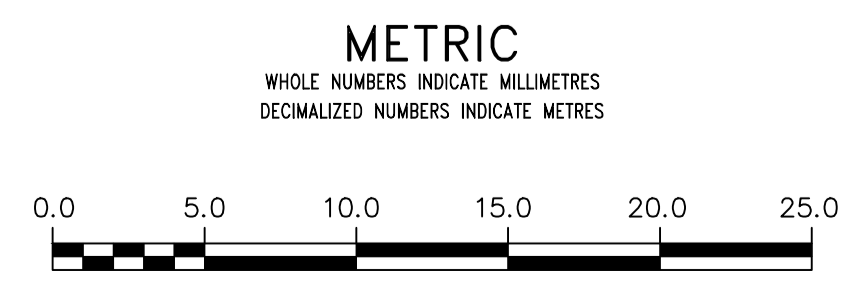
PORTAGE AVE

BRUCE AVE



FOR INDEX SEE D-16527

NOTE: ALL VALVES TO BE INSTALLED COUNTERCLOCKWISE TO CLOSE



WARNING
IF POWER EQUIPMENT OR EXPLOSIVES ARE TO BE USED FOR EXCAVATION ON THIS PROJECT THE CONTRACTOR MUST:
1) NOTIFY THE GAS COMPANY OF THE PROPOSED LOCATION OF EXCAVATION.
2) TAKE PRECAUTION TO AVOID DAMAGE TO GAS COMPANY INSTALLATIONS.
SEE PROVINCIAL REGULATION 210/72 FOR DETAILS

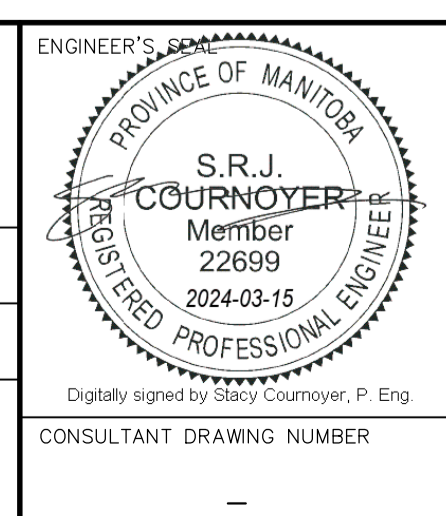
LOCATION APPROVED
UNDERGROUND STRUCTURES
SUPV. U/G STRUCTURES COMMITTEE DATE
NOTE:
LOCATION OF UNDERGROUND STRUCTURES AS SHOWN ARE BASED ON THE BEST INFORMATION AVAILABLE BUT NO GUARANTEE IS GIVEN THAT ALL EXISTING UTILITIES ARE SHOWN OR THAT THE GIVEN LOCATIONS ARE EXACT. CONFIRMATION OF EXISTENCE AND EXACT LOCATION OF ALL SERVICES MUST BE OBTAINED FROM THE INDIVIDUAL UTILITIES BEFORE PROCEEDING WITH CONSTRUCTION.

VERTICAL DATUM: CGVD28 (HT2.0 Geoid)
HORIZONTAL DATUM: NAD83 (June 1990), Zone 14

NO.	REVISIONS	DATE	BY

DESIGNED BY	RG	CHECKED BY	SC
DRAWN BY	AJ	APPROVED BY	SC
SCALE:		RELEASED FOR CONSTRUCTION	
HORIZONTAL	1:250		
VERTICAL	1:50		
DATE	2024 03 08	DATE	

PLOT DATE: 2024 03 08



THE CITY OF WINNIPEG
WATER AND WASTE DEPARTMENT
ENGINEERING DIVISION

2024 WATER MAIN RENEWALS
CONTRACT 2
LINWOOD STREET
225 S OF BRUCE AVENUE TO
110 S OF BRUCE AVENUE

SHEET 4 OF 12
CITY DRAWING NUMBER
D-16529