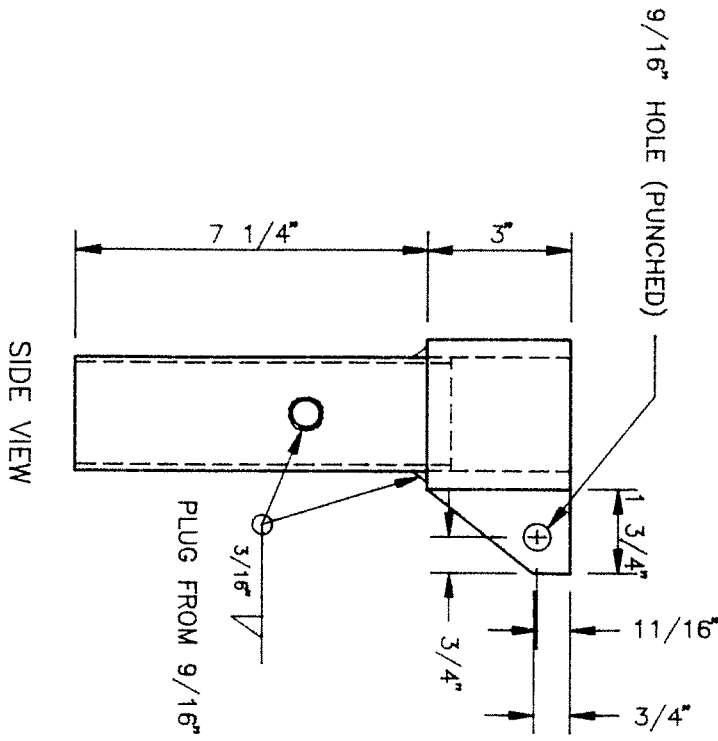
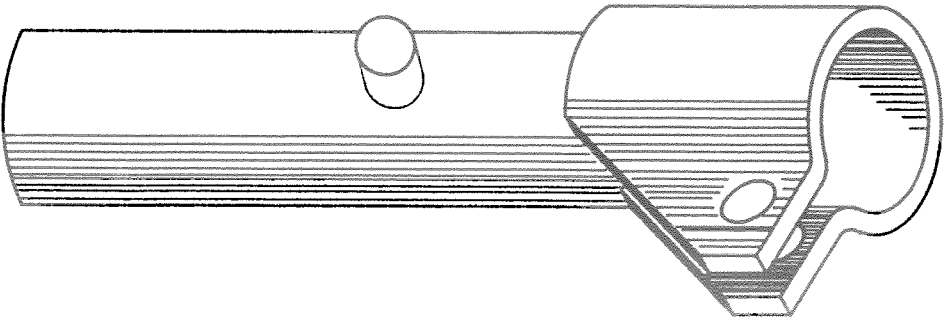
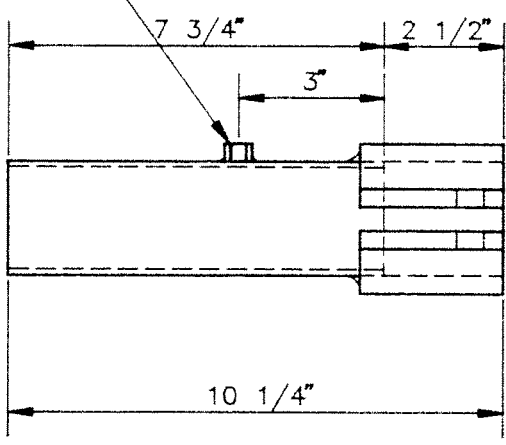


TOP VIEW



FRONT VIEW



N.T.S.

NOTE:
FOR INSTALLATION DETAIL
SEE DRAWING #SND 23

2" POST CLAMP

DRAWN BY: A.F. DATE: 09/01/04
PRELIM CHK. DESIGN CHECK

DATE APPROVED BY:

DATE

SCALE: 3" = 1'-0"
DRAWING No. SND-27
CAD FILE AF-SER