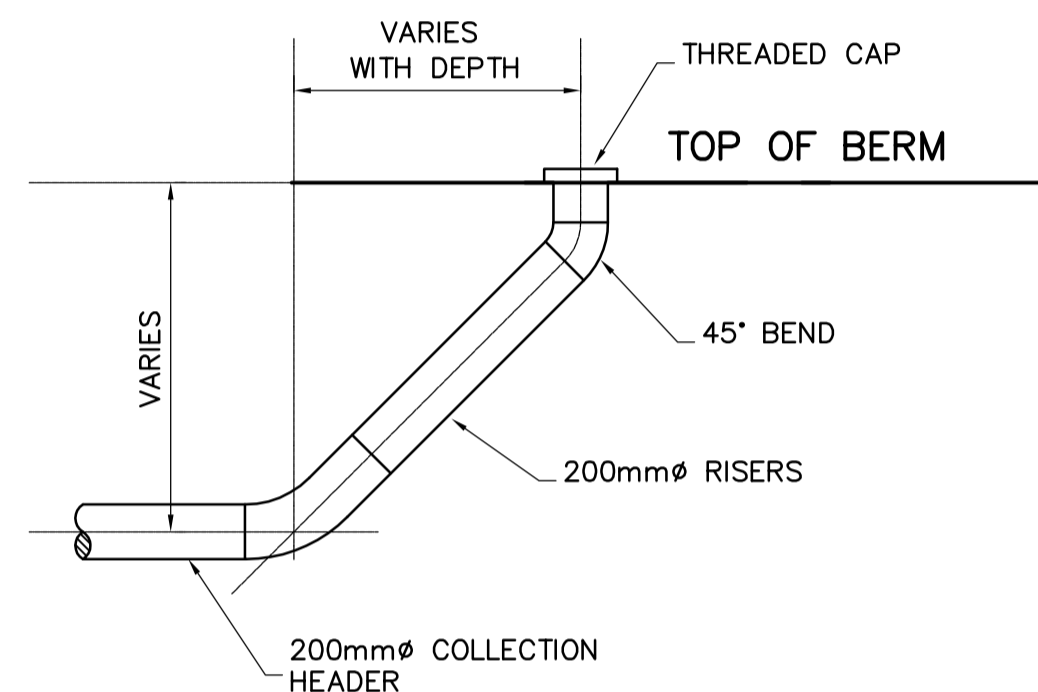
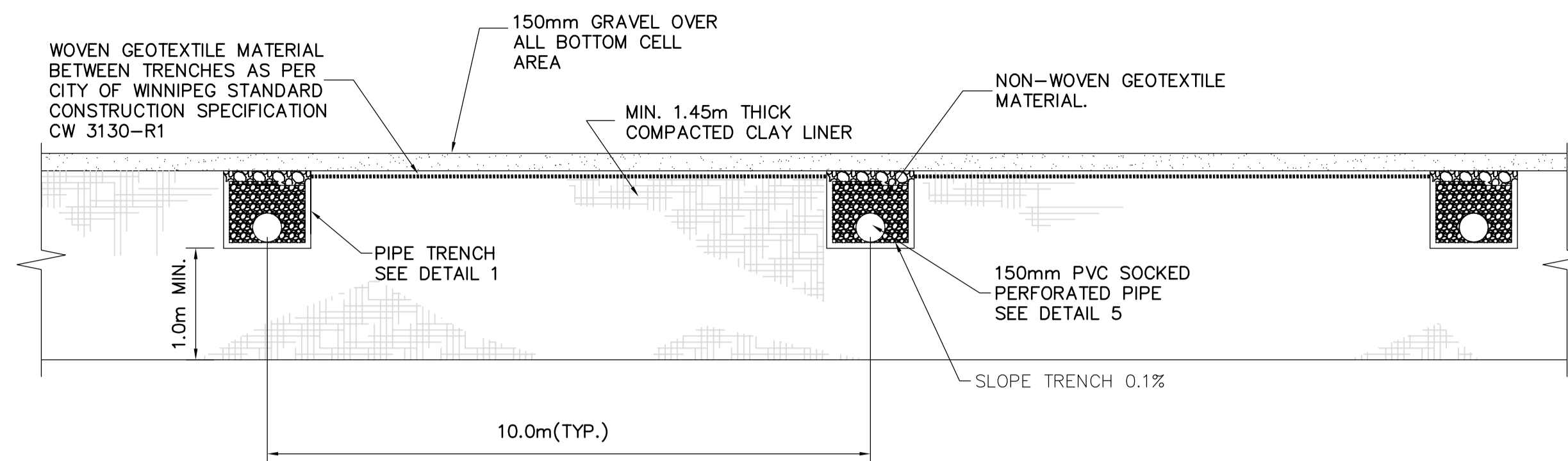


PROCEDURE FOR GEOTEXTILE-LINED UNDERDRAIN CONSTRUCTION

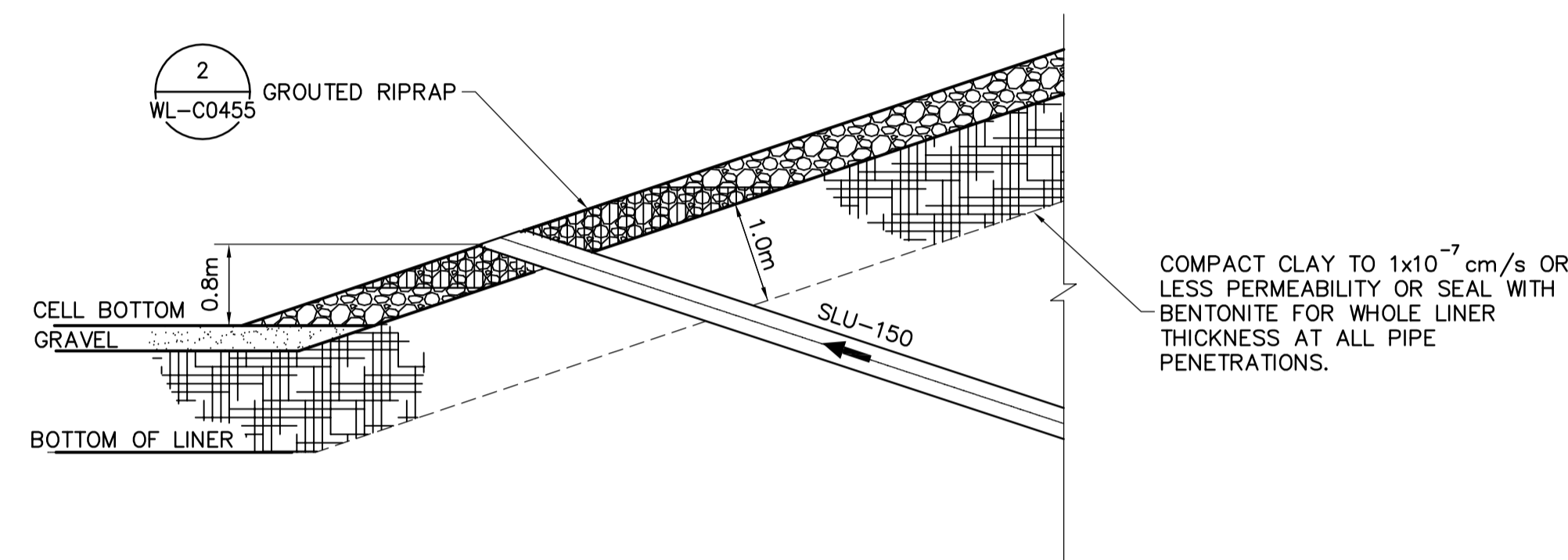
1 SUBDRAIN SECTION DETAIL  
WL-C0100, WL-C0101, WL-C0102, WL-C0103, WL-C0104 & WL-C0201



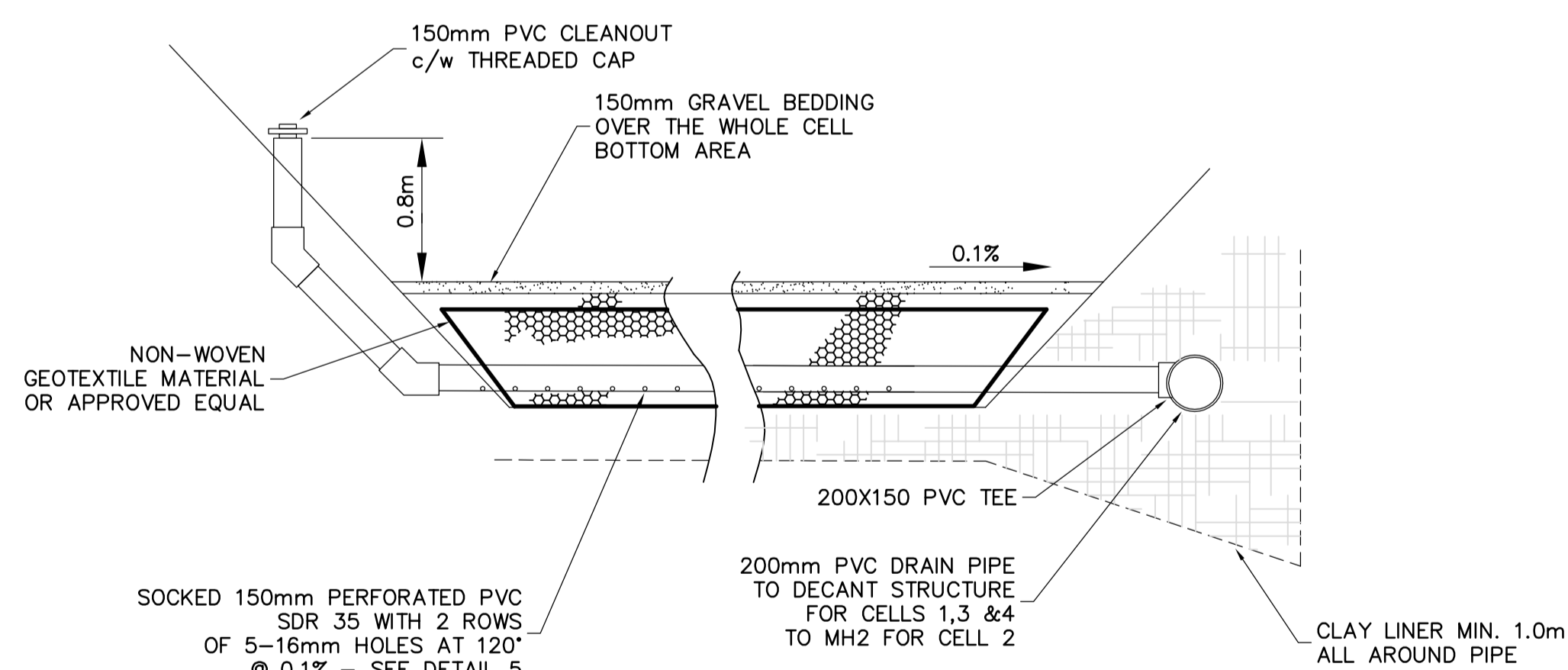
2 COLLECTION HEADER CLEANOUT  
WL-C0100, WL-C0101, WL-C0102, WL-C0103 & WL-C0104



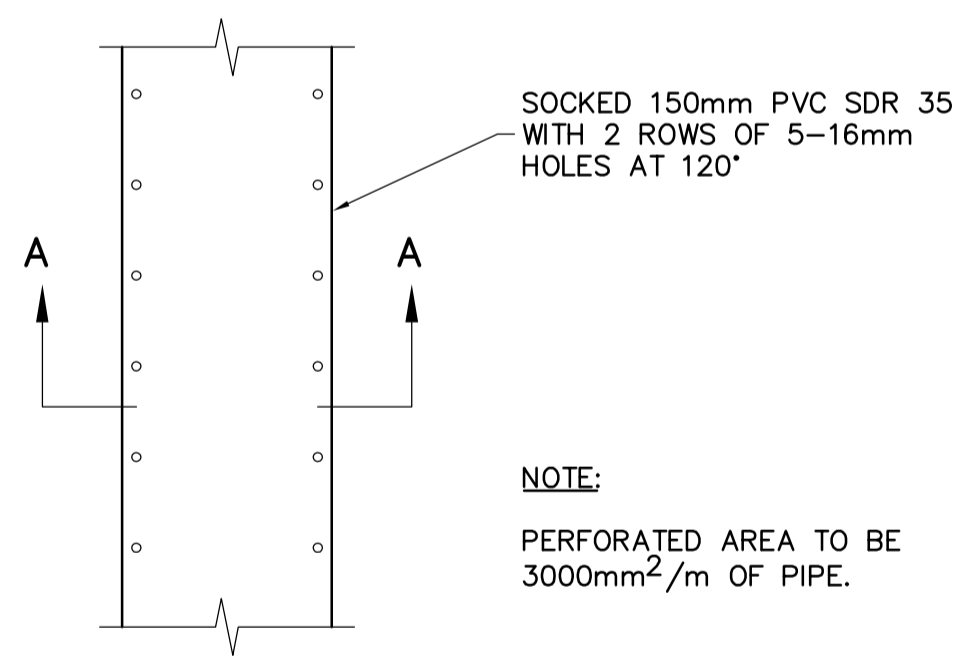
3 CELL SECTION (TYP)  
WL-C0100, WL-C0101, WL-C0102, WL-C0103, WL-C0104 & WL-C0201



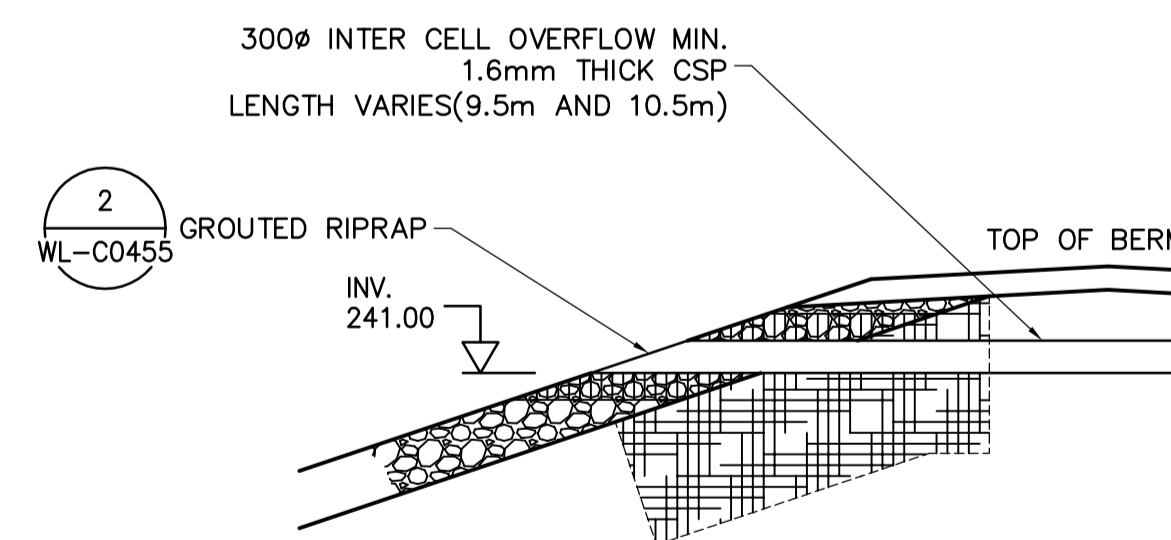
6 INFLUENT PIPE DETAIL  
WL-C0101, WL-C0102, WL-C0103, WL-C0104, WL-C0201 & WL-C0202



4 SUBDRAIN CLEANOUT  
WL-C0101, WL-C0102, WL-C0103, WL-C0104, WL-C0201 & WL-C0202



5 PERFORATED SUB DRAIN PIPE DETAIL



7 INTERCELL OVERFLOW DETAIL  
WL-C0102, WL-C0103, WL-C0104, WL-C0110, WL-C0201 & WL-C0202

<p>AECOM Canada Ltd. Original dated on: No. 4671 Date: 2006/03/07</p>	<p>B.M. ELEV.</p>	<p>Frederickson Cooper ARCHITECTS</p>		ENGINEER'S SEAL ORIGINAL SIGNED BY S.R. BILEVICIUS 2006/03/07	<p>THE CITY OF WINNIPEG WATER AND WASTE DEPARTMENT ENGINEERING DIVISION</p>
				DESIGNED BY: SM CHECKED BY: SRB DRAWN BY: JBC APPROVED BY: DJT SCALE: AS NOTED RELEASED FOR CONSTRUCTION BY: R. SOROKOWSKI DATE: 2005/01/02 DATE: 06/03/07	
WATER TREATMENT PLANT CONSTRUCTION OF DEWATERING CELLS				CIVIL SUBDRAIN AND INLET SYSTEMS SECTIONS AND DETAILS	
CITY FILE NUMBER SHEET OF				CITY DRAWING NUMBER 1-0601L-C0011-001-03	

AECOM

As of January 3, 2009, EarthTech became AECOM Canada Ltd.

AECOM AS-CONSTRUCTED