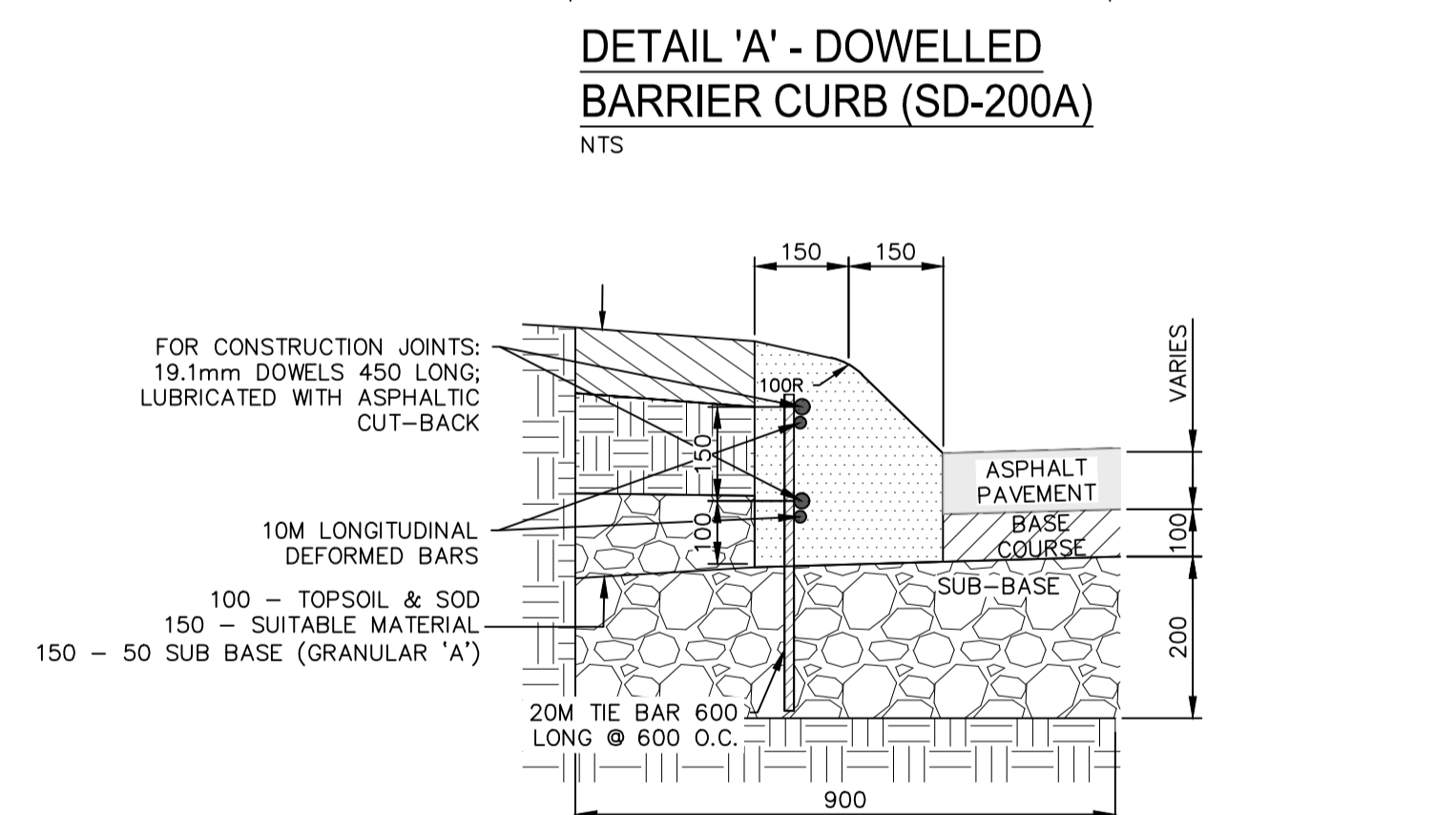
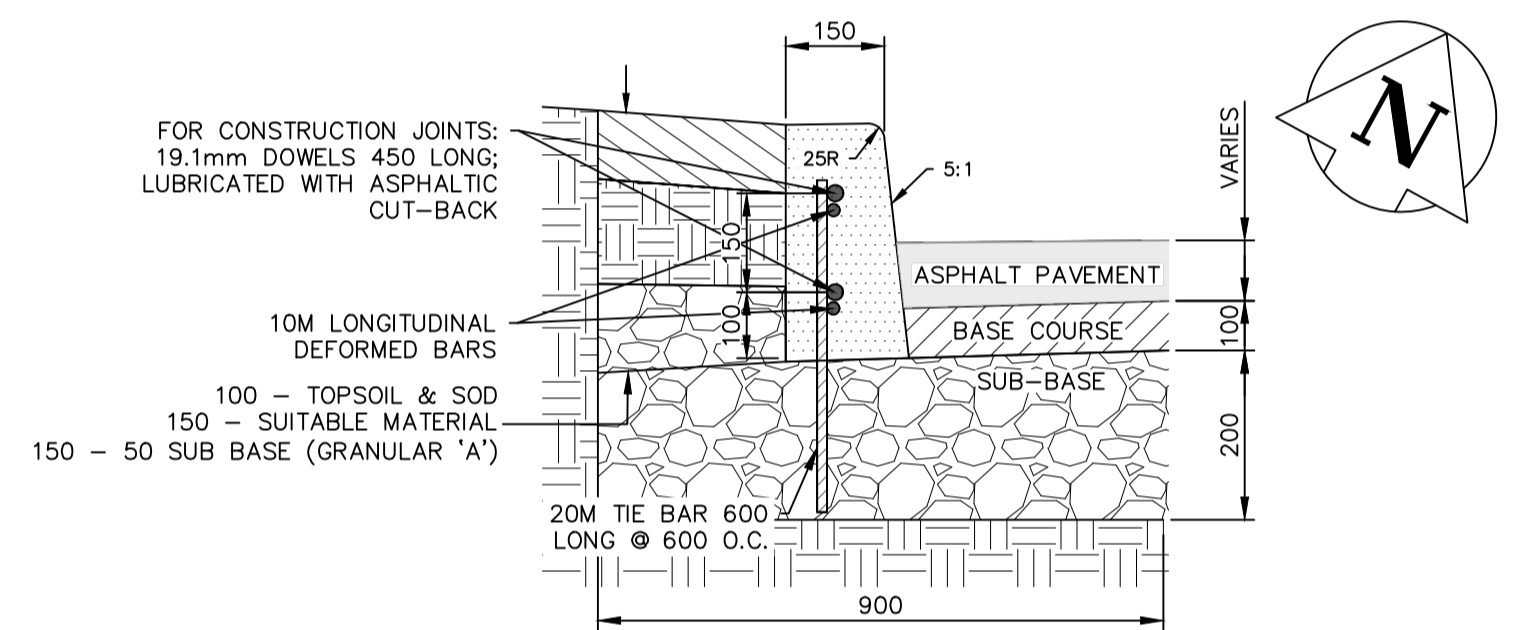
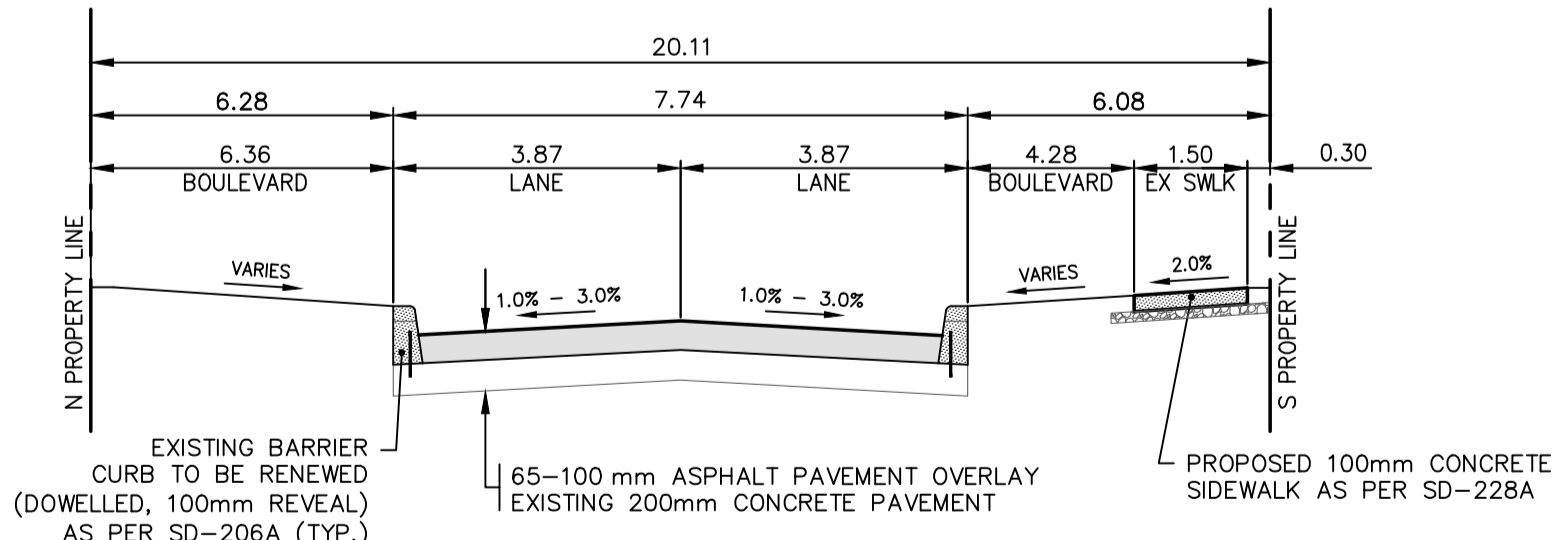


FOR CONTINUATION SEE DWG CA0017599.2194-14



- NOTES:**
1. ALL WORK AND MATERIALS TO BE IN ACCORDANCE WITH THE LATEST REVISION OF THE CITY OF WINNIPEG STANDARD CONSTRUCTION SPECIFICATIONS.
  2. CONTRACTOR TO CONFIRM THE LOCATION OF ALL UTILITIES/SERVICES IN THE FIELD PRIOR TO CONSTRUCTION.
  3. ALL ROADWAY DIMENSIONS SHOWN ARE TO BACK OF CURB.
  4. EXISTING ASPHALT TO BE PLANNED AS SHOWN OR AS DIRECTED BY CONTRACT ADMINISTRATOR.
  5. 150mm PARTIAL CONCRETE SLAB PATCHES SHOWN ARE ONLY A REPRESENTATIVE APPROXIMATION OF THE TENDERED QUANTITIES.
  6. PROPOSED SIDEWALK TO BE INSTALLED AS PER SD-228A AND AS DIRECTED BY CONTRACT ADMINISTRATOR.
  7. PLANE/REMOVE EXISTING CURB AND CONSTRUCT BARRIER CURB AS PER SD-206A AND AS DIRECTED BY CONTRACT ADMINISTRATOR.
  8. ALL PRIVATE WALKWAYS TO BE ADJUSTED TO NEW SIDEWALK OR TOP OF CURB ELEVATION, AS DIRECTED BY THE CONTRACT ADMINISTRATOR.
  9. PAVEMENT REPAIR FABRIC TO BE INSTALLED AS SHOWN OR AS DIRECTED BY CONTRACT ADMINISTRATOR.
  10. MODIFIED BARRIER CURB TO BE CONSTRUCTED AT ALL INTERSECTION RADII AND ALLEY RADII.
  11. LAMP STANDARDS, HYDRO POLES, AND ANCHORS THAT REQUIRE TEMPORARY SUPPORT, REMOVAL OR REPLACEMENT, TO BE DONE SO AT THE EXPENSE OF THE CONTRACTOR AS NECESSARY.
  12. ALL BOULEVARDS TO BE SODDED UNLESS OTHERWISE NOTED.
  13. ADJUST ALL WATER VALVES, HYDRANTS, MANHOLES, AND CATCH BASINS IN WORK AREA TO GRADE.



EXISTING	LEGEND-PLAN	PROPOSED	EXISTING	LEGEND-PROFILE	PROPOSED
---	WATER MAIN	---	---	---	ANCHOR
---	LAND DRAINAGE SEWER	---	---	---	HYDRO POLE & LIGHT STANDARD
---	WASTE WATER SEWER	---	---	---	LIGHT STANDARD OR TRAFFIC SIGNAL
---	HYDRO	---	---	---	HYDRO POLE
---	BELL/MTS	---	---	---	CURB RAMP
---	GAS	---	---	---	DETECTABLE WARNING SURFACE TILE
---	SIGNALS	---	---	---	EDGE OF SIDEWALK
○	MANHOLE	●	---	---	FENCE
□	CATCH BASIN	■	---	---	PROPERTY LINE
△	CURB INLET	▽	---	---	EDGE OF ASPHALT
---	UTILITIES ADJUSTED	△ □ ○	---	---	EDGE OF CONCRETE
⌋	PLUG	⌋	---	---	MODIFIED BARRIER CURB
⊕	HYDRANT	⊕	---	---	BARRIER CURB
⊕	VALVE	⊕	---	---	BARRIER CURB AND GUTTER
⊕	CURB STOP	⊕	---	---	CONC SIDEWALK
⊕	IRON BAR	⊕	---	---	CONCRETE SLAB
#111	CIVIC ADDRESS	(231.00)	---	---	ASPHALT
(231.00)	PAVEMENT GRADE	(231.000)	---	---	MILLED SURFACE
230.99	GROUND GRADE		---	---	PAVEMENT REPAIR FABRIC
---	EXISTING	---	---	---	---

**LOCATIONS APPROVED UNDERGROUND STRUCTURES**

SIGNED BY: \_\_\_\_\_ DATE: \_\_\_\_\_

NO. REVISIONS: \_\_\_\_\_

DATE: \_\_\_\_\_ BY: \_\_\_\_\_

**wsp**

DESIGNED BY: R.H. CHECKED BY: R.H.

DRAWN BY: R.H. APPROVED BY: S.S.

HOR. SCALE: 1:250

VERTICAL: 1:10

RELEASED FOR CONSTRUCTION: \_\_\_\_\_

DATE: DECEMBER 2023

WSP Canada Inc.  
1600 Buffalo Place  
Winnipeg, MB R3T 6B8  
t. 204.477.6650  
f. 204.474.2864  
www.wsp.com

**THE CITY OF WINNIPEG**  
PUBLIC WORKS DEPARTMENT  
ENGINEERING SERVICES DIVISION

2024 LOCAL STREET RENEWALS

SPARRING AVENUE

MAJOR REHABILITATION  
STA. 0+96.52 TO STA. 2+10

TENDER NO. 192-2024

**METRIC**

WHOLE NUMBERS INDICATE MILLIMETRES  
DECIMALIZED NUMBERS INDICATE METRES

**ENGINEERS GEOSCIENTISTS MANITOBA**

Certificate of Authorization  
WSP Canada Inc.  
No. 5750

FOR TENDER PURPOSES ONLY  
NOT FOR CONSTRUCTION

Mar 22, 2024 - 3:15pm  
P:\2023\CA0017599.2194 - 2024 Local Street Renewals\_751-2023\05.07 Drawings\03\_Work\_Dwg\CA0017599.2194\_Sparring\_Ave\_Plan&Profile.dwg - tab:192-2024\_Drawing\_CA0017599.2194-13-RO