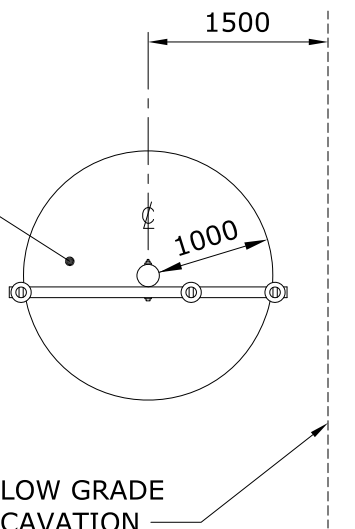


**APPENDIX 'K' – MANITOBA HYDRO ALLOWABLE EXCAVATION AROUND  
EXISTING POLES: DRAWING CD 30-55**

FOR CHANGES IN GRADE,  
THE MINIMUM AMOUNT OF  
UNDISTURBED EARTH TO BE  
LEFT ALL AROUND POLES  
SHALL BE 1000mm

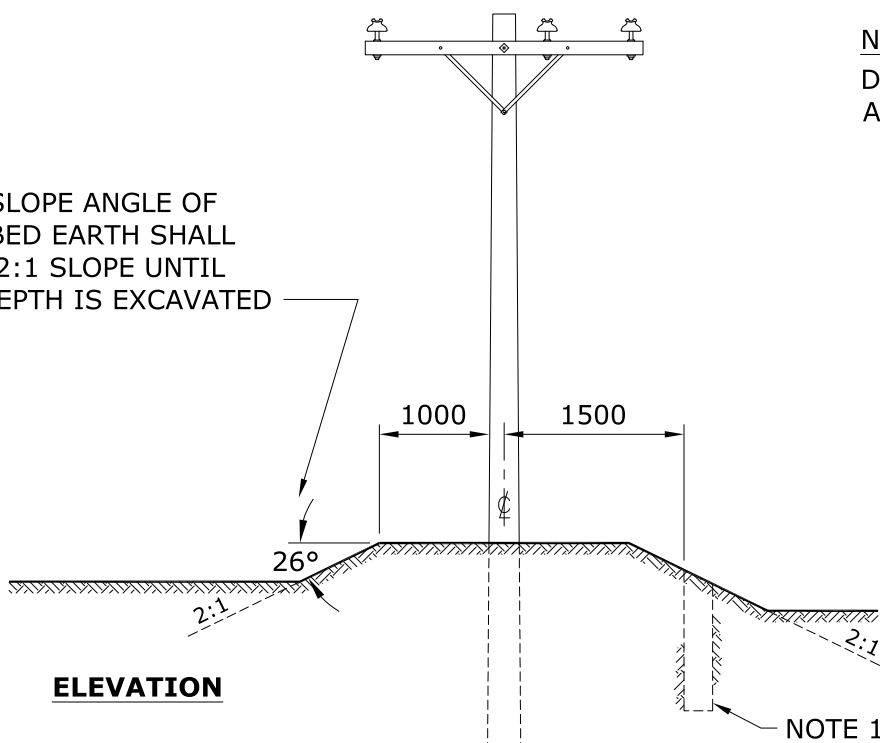


**PLAN**

BELOW GRADE  
EXCAVATION

**NOTE:**  
DIMENSIONS SHOWN  
ARE MILLIMETRES.

MAXIMUM SLOPE ANGLE OF  
UNDISTURBED EARTH SHALL  
BE 26° OR 2:1 SLOPE UNTIL  
DESIRED DEPTH IS EXCAVATED



**ELEVATION**

NOTE 1

**NOTE:**

1. THE MINIMUM SEPARATION (TO ANY SIDE OF A POLE) FOR EXCAVATIONS DEEPER THAN 500mm WITHOUT DISTRIBUTION ENGINEERING INVOLVEMENT SHALL BE 1500mm, EXCAVATIONS TO BE BACKFILLED & TAMPED TO MAINTAIN SLOPE. A CIVIL ENGINEER SHOULD BE CONSULTED FOR ANY LARGER (TEMPORARY OR PERMANENT) EXCAVATIONS.

SUPERCEDES ORIGINAL SEALED BY E. WIEBE ON 94-07-11

APPROVED		REVISIONS		MANITOBA HYDRO DISTRIBUTION STANDARDS	
ORIGINAL DRAWING SEALED BY D.R. ORR 19-05-17	19-04	3	REVISED NOTE 1, RESEALED	<b>ALLOWABLE EXCAVATIONS AROUND EXISTING POLES</b>	
	06-02	2	REVISED SLOPE & ADDED MORE EXPLANATION TO NOTES		
	95-04	1	MINIMUM SEPARATION ADDED		
DRAWN C.A.	CHECKED G.D.	DATE 19-04		<b>CD 30-55</b>	
				SHT 0001 OF 1	REV 03