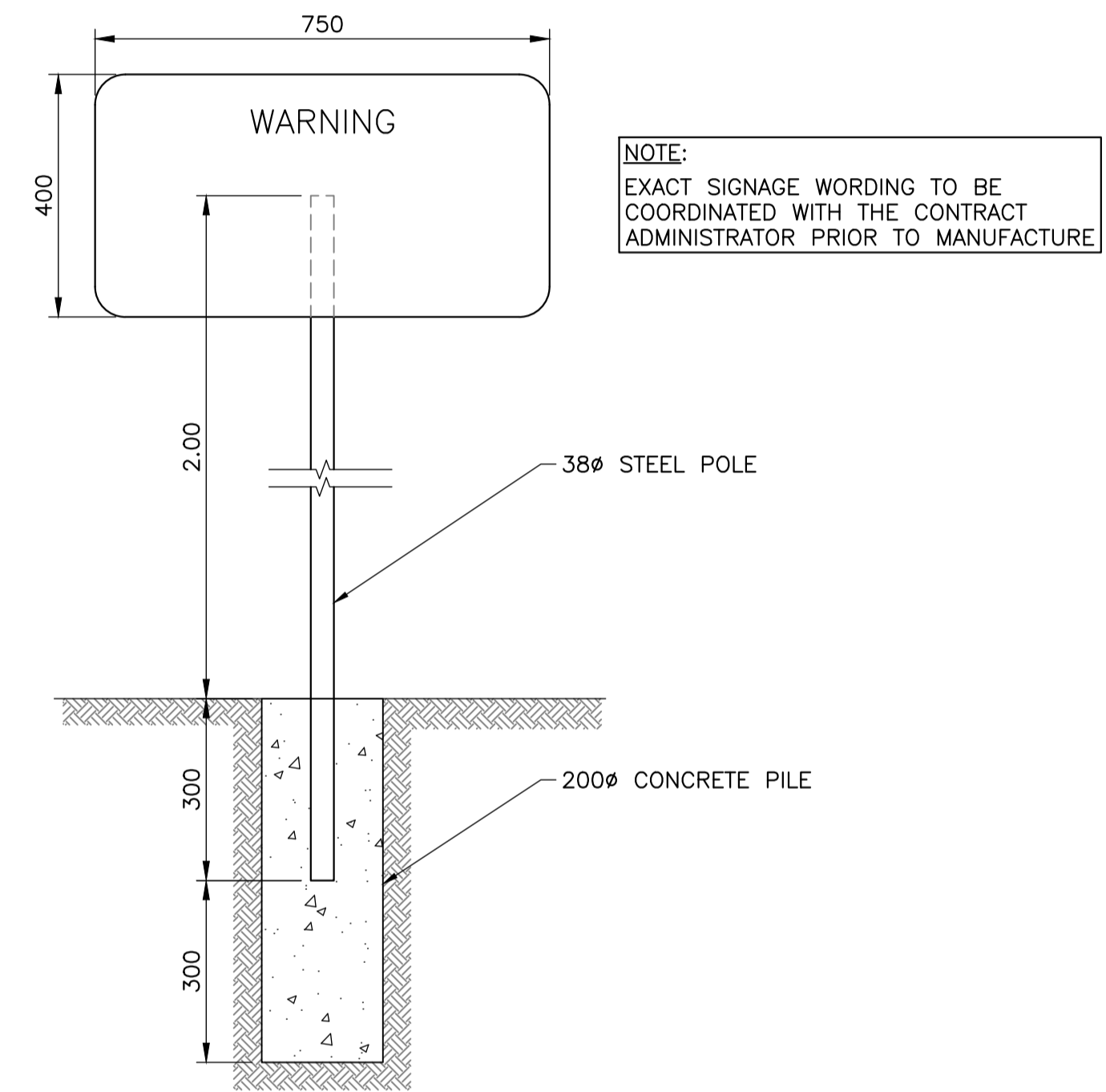
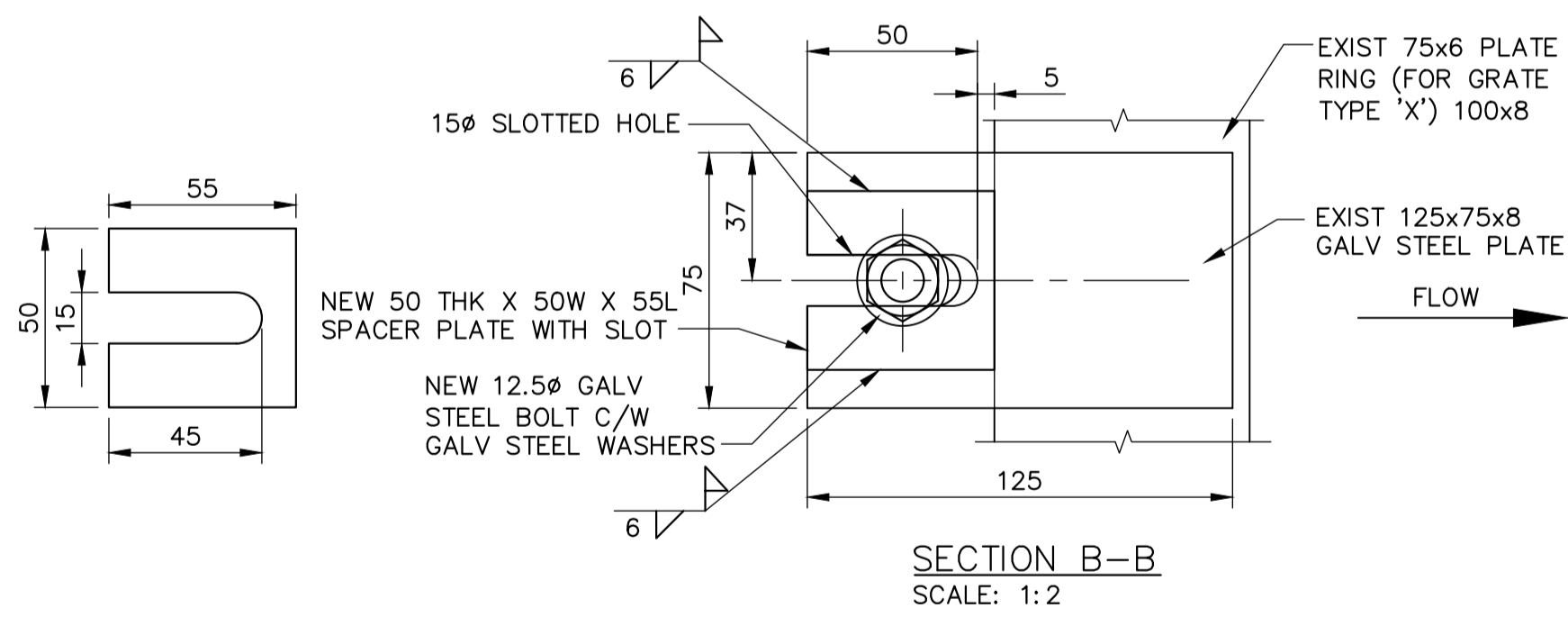
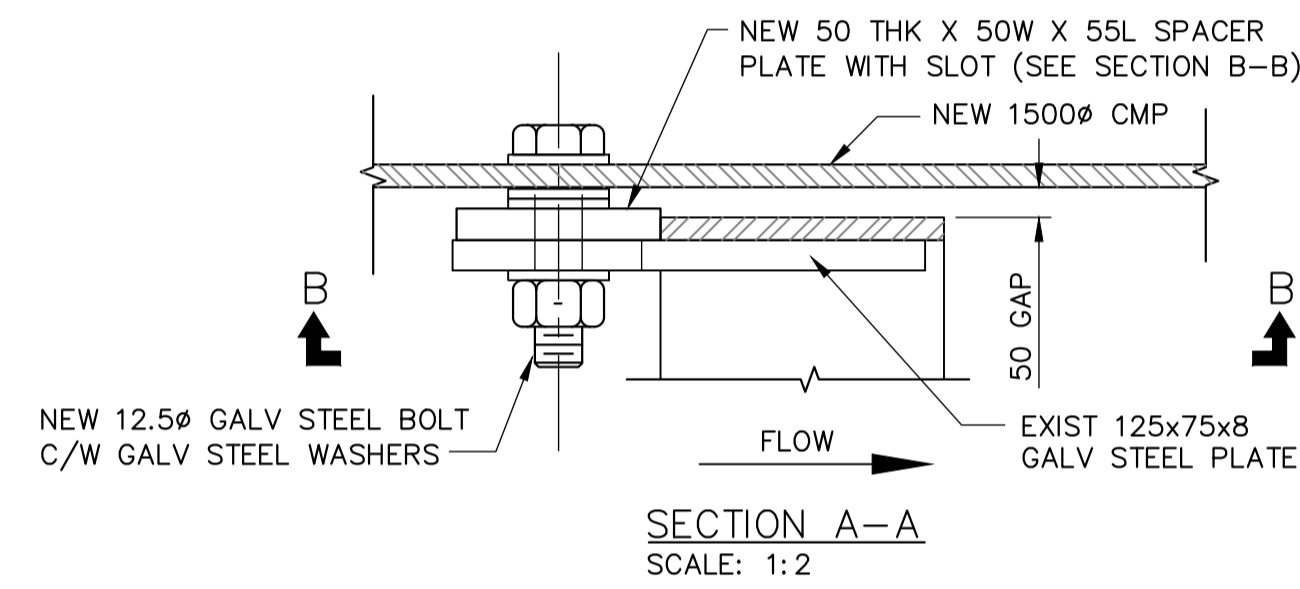
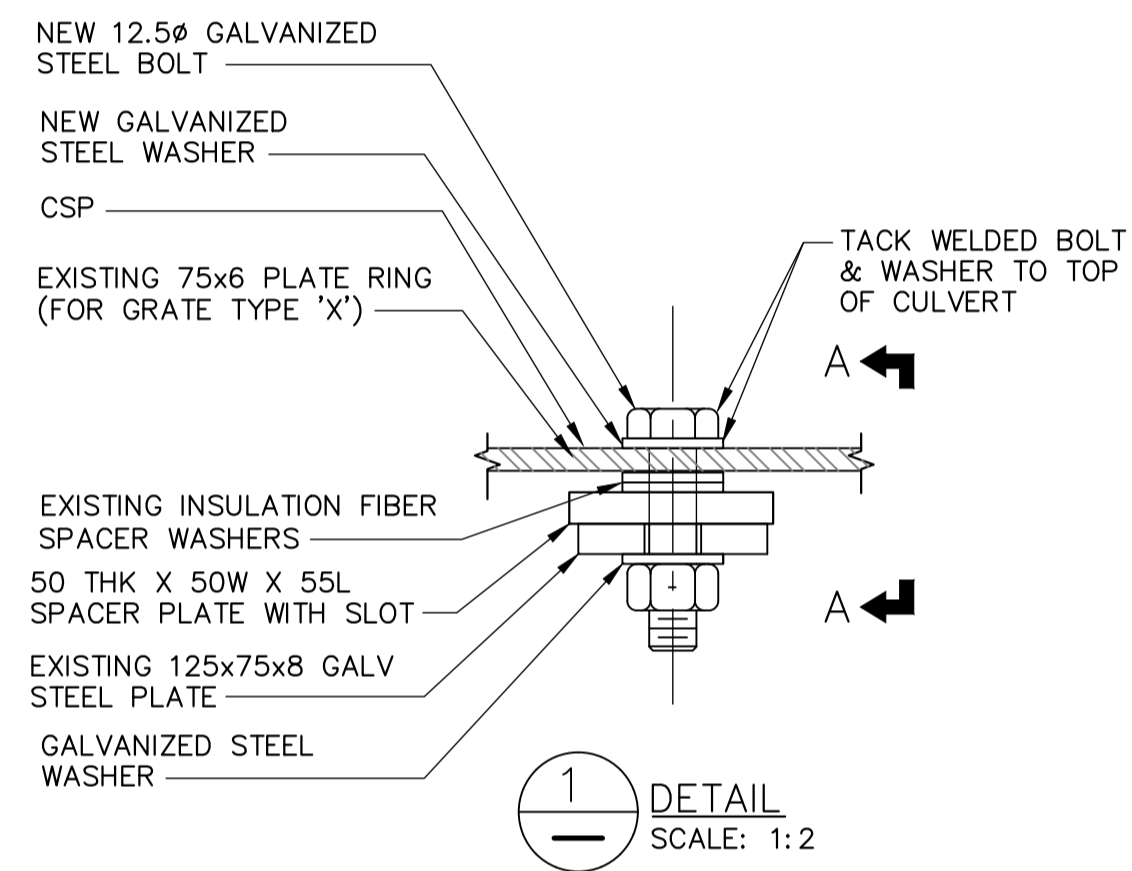


EXISTING DEBRIS GRATE DETAIL
SCALE: N.T.S.



SIGN DETAIL
SCALE: N.T.S.

APEGM
Certificate of Authorization
KGS Group
No. 245

WARNING
IF POWER EQUIPMENT OR EXPLOSIVES ARE TO BE USED FOR EXCAVATION ON THIS PROJECT THE CONTRACTOR MUST:
1) NOTIFY THE GAS COMPANY OF THE PROPOSED LOCATION OF EXCAVATION.
2) TAKE PRECAUTION TO AVOID DAMAGE TO GAS COMPANY INSTALLATIONS.
SEE PROVINCIAL REGULATION 210/72 FOR DETAILS

LOCATION APPROVED
UNDERGROUND STRUCTURES
SUPV. U/G STRUCTURES COMMITTEE DATE
NOTE:
LOCATION OF UNDERGROUND STRUCTURES AS SHOWN ARE BASED ON THE BEST INFORMATION AVAILABLE BUT NO GUARANTEE IS GIVEN THAT ALL EXISTING UTILITIES ARE SHOWN OR THAT THE GIVEN LOCATIONS ARE EXACT. CONFIRMATION OF EXISTENCE AND EXACT LOCATION OF ALL SERVICES MUST BE OBTAINED FROM THE INDIVIDUAL UTILITIES BEFORE PROCEEDING WITH CONSTRUCTION.

B.M. ELEV.	NO.	ISSUED FOR TENDER	DATE	BY
	0	ISSUED FOR TENDER	2023 11 20	RBO
		REVISIONS	DATE	BY

KGS GROUP	
DESIGNED BY: NGV	CHECKED BY: RBO
DRAWN BY: GEL	APPROVED BY: RBO
SCALE: HORIZONTAL AS NOTED	RELEASED FOR CONSTRUCTION
VERTICAL: NA	
DATE: 2023 11 20	DATE:

ENGINEER'S SEAL
CONSULTANT DRAWING NUMBER
1-03030-C0078-002

THE CITY OF WINNIPEG
WATER AND WASTE DEPARTMENT
ENGINEERING DIVISION
2023 OUTFALL PROGRAM
RIVERGATE DRIVE OUTFALL REHABILITATION
MISCELLANEOUS DETAILS
SHEET 2
SHEET 5 OF 5
CITY DRAWING NUMBER
1-03030-C0078-002

METRIC
WHOLE NUMBERS INDICATE MILLIMETRES
DECIMALIZED NUMBERS INDICATE METRES

FOR INDEX PAGE SEE DWG
1-03030-D0015-001