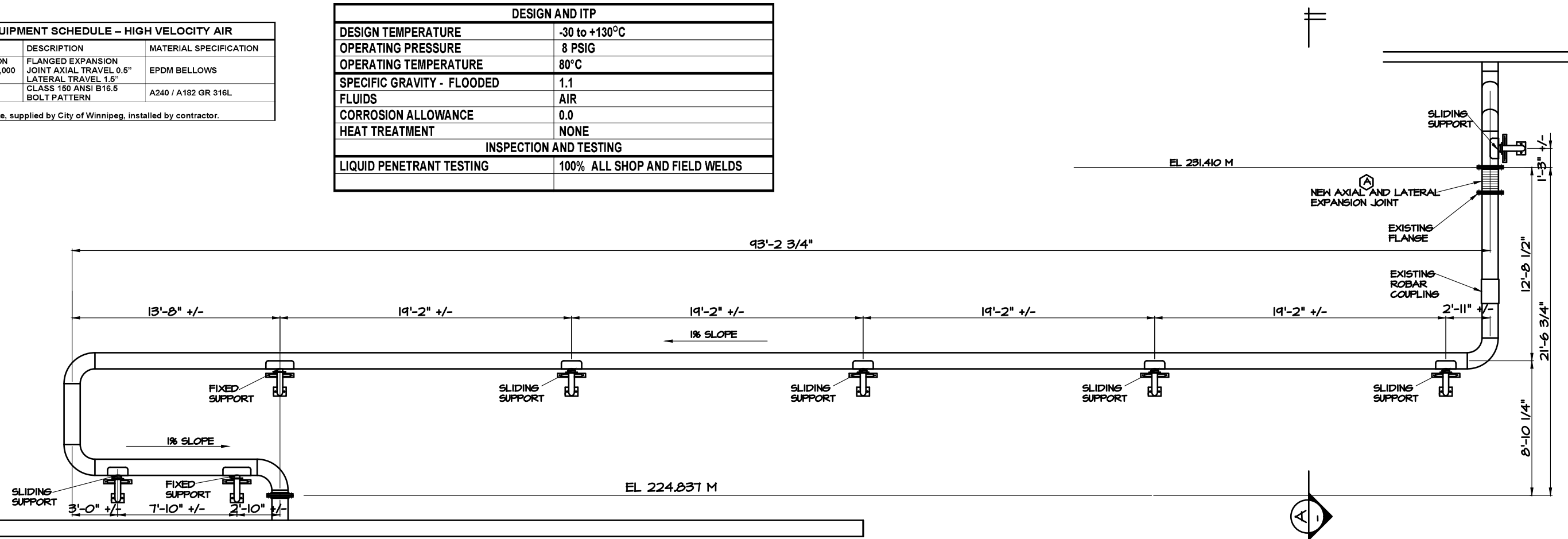


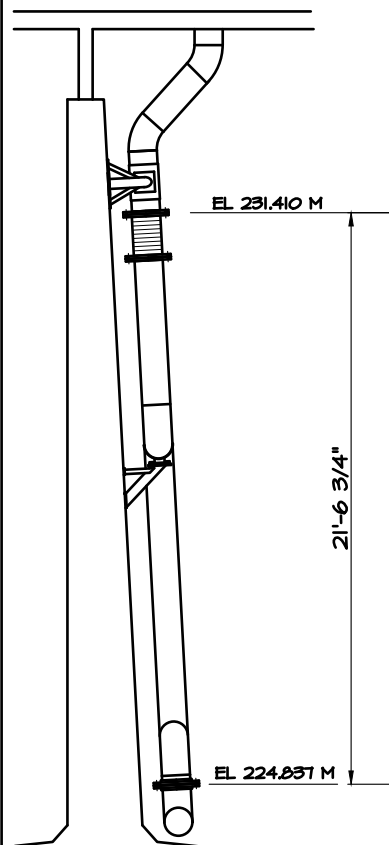
EQUIPMENT SCHEDULE – HIGH VELOCITY AIR		
	DESCRIPTION	MATERIAL SPECIFICATION
A	12" EXPANSION JOINT FOR 40,000 CYCLES FLANGES	FLANGED EXPANSION JOINT AXIAL TRAVEL 0.5" LATERAL TRAVEL 1.5" CLASS 150 ANSI B16.5 BOLT PATTERN EPDM BELLOWS A240 / A182 GR 316L

* Note, supplied by City of Winnipeg, installed by contractor.

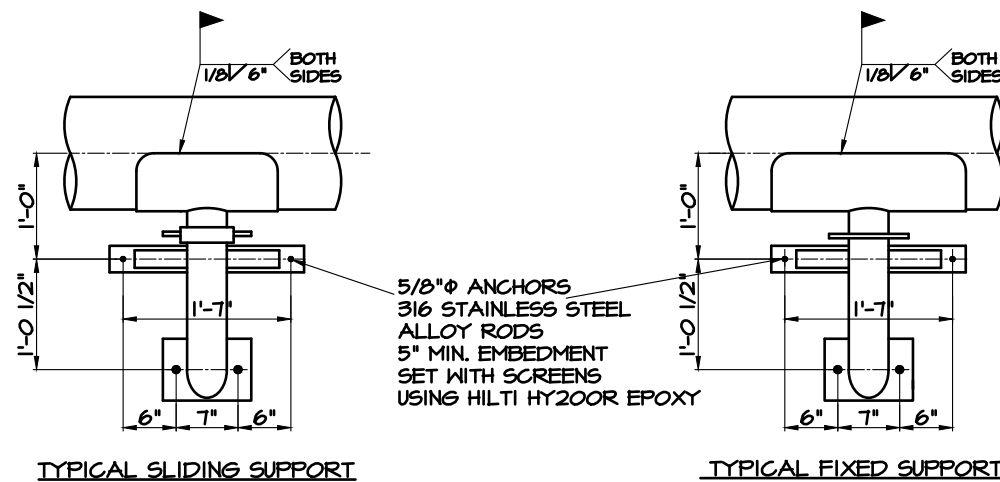
DESIGN AND ITP	
DESIGN TEMPERATURE	-30 to +130°C
OPERATING PRESSURE	8 PSIG
OPERATING TEMPERATURE	80°C
SPECIFIC GRAVITY - FLOODED	1.1
FLUIDS	AIR
CORROSION ALLOWANCE	0.0
HEAT TREATMENT	NONE
INSPECTION AND TESTING	
LIQUID PENETRANT TESTING	100% ALL SHOP AND FIELD WELDS



ELEVATION



SECTION-A



TYPICAL SLIDING SUPPORT

TYPICAL FIXED SUPPORT

AERATION PIPING LOOP A

- TEMPORARILY SUPPORT THE DROP LEG, DISCONNECT AT THE EXISTING FLANGED CONNECTION AS REQUIRED.
- NOTE: INSPECTION OF PVC PIPING, FITTINGS AND NOZZLES, REPAIRING OR REPLACING COMPONENTS, WILL BE PERFORMED CONCURRENT TO THIS CONTRACT BY CITY OF WINNIPEG STAFF.
- INSTALL NEW FIXED WALL SUPPORT ADJACENT TO THE CONNECTION TO THE PVC DISTRIBUTION PIPING AND WELD THE SADDLE TO THE PIPE.
- ALIGN LOOP 'A' PIPING TO ACHIEVE A 1% DOWNWARD SLOPE FROM THE VERTICAL DROP LEG TO THE CONNECTION TO THE PVC PIPING.
- SEQUENTIALLY REMOVE EXISTING SUPPORTS AND INSTALL SLIDING WALL SUPPORTS TO MAINTAIN THE PIPING IN THE REQUIRED SLOPE.
- POSITION THE SLIDING SHOES ON THE WALL BASKETS BASED ON A 20°C NEUTRAL POSITION AND WELD THE SADDLES TO THE PIPE.
- INSTALL THE VERTICAL PORTION OF THE PIPING WITH A NEW EXPANSION FITTING AT EXISTING FLANGED CONNECTION. TRIM VERTICAL PIPE AS REQUIRED AT ROBAR CLAMP COUPLING.
- COMPLETE REWORK OF THE DROP LEG TO BLOWER HEADER CONNECTION AS DESCRIBED ON DRAWING 2022187- P4.
- INSTALL DROP LEG WITH VERTICAL SLIDING SUPPORT, CONNECTING TO THE EXPANSION FITTING WITH EXISTING ANSI B16.5 FLANGES. TRIM AS REQUIRED.
- ANCHORS TO BE 5/8" DIAMETER, 316 STAINLESS STEEL ALLOY RODS, 5" MINIMUM EMBEDMENT SET WITH SCREENS USING HILTI HY200 R EPOXY OR EQUAL.

B.M. ELEV.			
CONSTRUCTION COMPLETION DATE:	YYYY-MM-DD		
ISSUED FOR TENDER 85-2023	2023 03 10	JC	
NO.	REVISIONS	DATE	BY

F.A. Roberts & Associates Ltd.
Engineering Consultants
1304 Border St. | Winnipeg, MB | R3H 0M6 | Ph. (204) 694-4600

DESIGNED BY	FAR	CHECKED BY	FAR
DRAWN BY	JC	APPROVED BY	FAR
SCALE:		RELEASED FOR CONSTRUCTION	
HORIZONTAL		DATE	2023 03 10
VERTICAL		DATE	

ENGINEER'S SEAL	
CONSULTANT DRAWING NUMBER	2023014-P3



THE CITY OF WINNIPEG

WATER AND WASTE DEPARTMENT
ENGINEERING DIVISION

2023 NEWPCC SBR UPGRADES
SBR TANK No.1 PIPING
BY CIPP LINING
AERATION LOOP A

SHEET 3 OF 6
CITY DRAWING NUMBER
85-2023
DRAWING
2023014_P3-RO