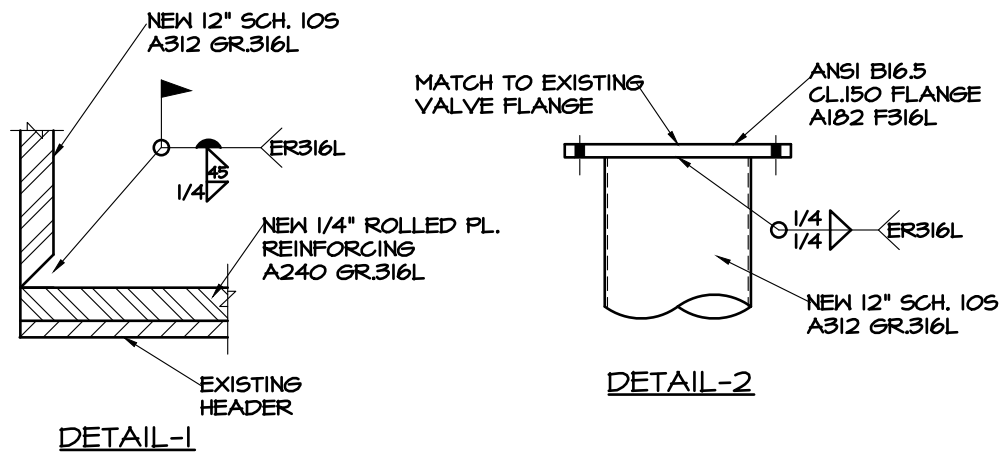


SECTION-A

ELEVATION

SECTION-B



BLOWER HEADER PIPING REWORK

1. DROP LEGS AND VALVES TO BE REMOVED OR INDEPENDENTLY SUPPORTED TO PERMIT SAFE REWORK ON THE BLOWER HEADER PIPING CONNECTIONS.
2. CUT AND REMOVE THE EXISTING VERTICAL SEGMENT OF THE 12" DROPLEG AND FLANGE.
3. FABRICATE REPLACEMENT SECTION USING 12" SCH10S PIPE, ASTM A312 GRADE 316L.
4. INSTALL NEW CLASS 150 ANSI B16.5 FLANGE, A182 F316L FOR CONNECTION TO EXISTING VALVE.
5. FABRICATE AND INSTALL NEW ROLLED REINFORCING PLATE TO A240 GR 316L.
6. WELDING TO CSA W47.1 AND AWS D1.6 OR ASME SECTION IX.
7. WELDERS FOR HEADER PIPE TO HOLD VALID LICENSE TO ASME SECTION IX ISSUED BY ITS MANITOBA FOR THE RELEVANT PROCESS OR CSA W47.1, 'T' CLASSIFICATION LICENSE ISSUED BY THE CANADIAN WELDING BUREAU.

ALTERNATE CONSTRUCTION (SEE 2022187-P6)

1. REPLACE SECTION OF THE 24" BLOWER HEADER AND BUILD AS A SPOOL PIECE TOGETHER WITH THE REPLACEMENT 12" VERTICAL SECTION AND CROSSOVER ELBOW CONNECTIONS.
2. REPLACEMENT BLOWER HEADER PIPE TO BE A312 TP316I SCH 10S PIPE
3. FLANGES TO BE CL150, ANSI B16.5 BOLT PATTERN, A182-F316L.

B.M. ELEV.			
COSTRUCTION COMPLETION DATE:	YYYY MM DD		
NO.	REVISIONS	DATE	BY

F.A. Roberts & Associates Ltd.
Engineering Consultants
 1304 Border St. | Winnipeg, MB | R3H 0M6 | Ph. (204) 694-4600

DESIGNED BY	FAR	CHECKED BY	FAR
DRAWN BY	JC	APPROVED BY	FAR
SCALE:		RELEASED FOR CONSTRUCTION	
HORIZONTAL			
VERTICAL			
DATE	2023 03 10	DATE	
PLOT DATE:	2023 03 10		

ENGINEER'S SEAL

CONSULTANT DRAWING NUMBER
2022187-P4



THE CITY OF WINNIPEG
 WATER AND WASTE DEPARTMENT
 ENGINEERING DIVISION

2023 NEWPCC SBR UPGRADES
 SBR TANK No.2 PIPING
 BLOWER HEADER REINFORCEMENT

SHEET 4 OF 6
 CITY DRAWING NUMBER
 85-2023
 DRAWING
 2022187_P4-RO