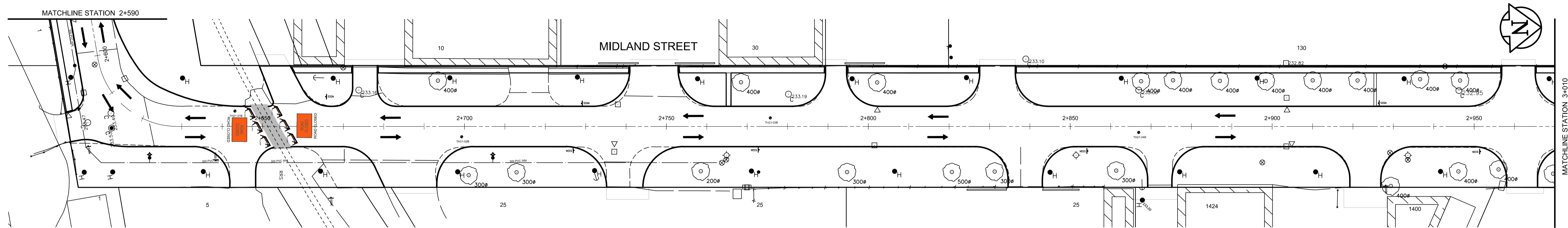
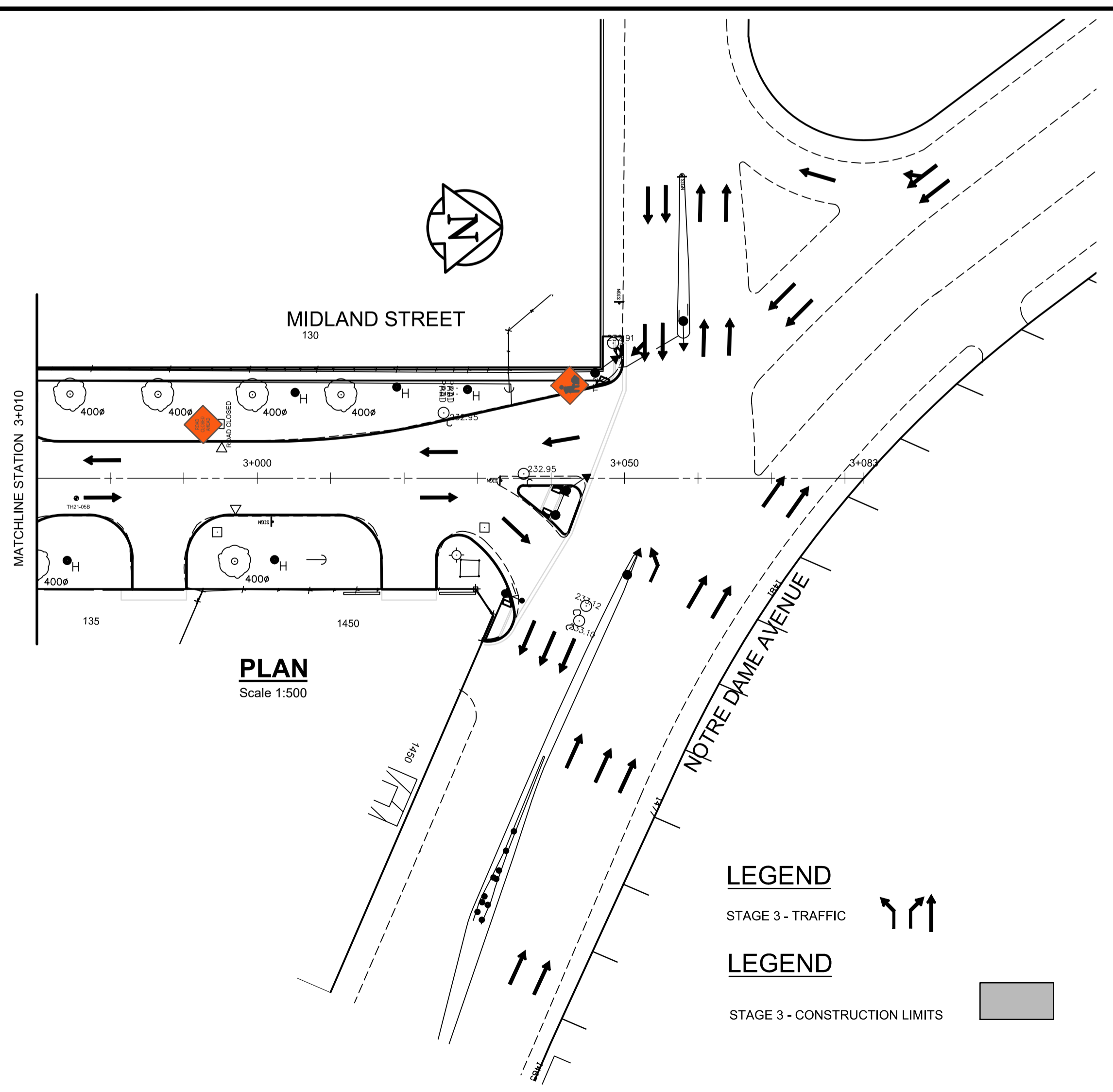


PLAN
Scale 1:500



PLAN
Scale 1:500



PLAN
Scale 1:500

LEGEND
STAGE 3 - TRAFFIC

LEGEND
STAGE 3 - CONSTRUCTION LIMITS

ENGINEERS
GEOSCIENTISTS
MANITOBA
Certificate of Authorization
AECOM Canada Ltd.
No. 4671 Date: 02/26/24

METRIC
WHOLE NUMBERS INDICATE MILLIMETRES
DECIMALIZED NUMBERS INDICATE METRES

B.M. ELEV.					
0	ISSUED FOR TENDER	02/26/24	RC		
NO.	REVISIONS	DATE	BY	DATE	02/13/23

AECOM			
DESIGNED BY	SS	CHECKED BY	BC
DRAWN BY	SS	APPROVED BY	RC
HOR. SCALE:	AS SHOWN	RELEASED FOR CONSTRUCTION BY:	
VERTICAL:			

ENGINEER'S SEAL

CONSULTANT DRAWING NO.
CT-03

THE CITY OF WINNIPEG
PUBLIC WORKS DEPARTMENT
ENGINEERING DIVISION

2024 INDUSTRIAL STREET
RENEWAL PROGRAM

MIDLAND STREET & SASKATCHEWAN AVENUE -
EMPRESS STREET TO NOTRE DAME AVENUE
CONCRETE PAVEMENT RECONSTRUCTION
CONSTRUCTION STAGING AND TRAFFIC MANAGEMENT PLAN - STAGE 3

CITY DRAWING NUMBER
SHEET 03 OF 11

- NOTES:
- ALL TEMPORARY SIGNAGE AND TRAFFIC CONTROL TO BE IN ACCORDANCE WITH THE LATEST EDITION OF THE MANUAL OF TEMPORARY TRAFFIC CONTROL ON CITY STREETS.
 - CONTRACTOR TO MAINTAIN VEHICULAR ACCESS TO ALL SIDE STREETS AND PRIVATE PROPERTIES AT ALL TIMES (INCLUDING LEFT TURNS UNLESS SHOWN ON THE DRAWINGS), ANY DISRUPTION TO BE APPROVED BY THE CONTRACT ADMINISTRATOR AND CONTRACTOR TO ADVISE OWNER.
 - TRAFFIC SERVICES TO PLACE ADVANCE WARNING SIGNAGE FOR THE FULL CLOSURE OF MIDLAND STREET FOR CP RAILWAY CROSSING REPLACEMENT AND ASSOCIATED ROADWORKS. FULL CLOSURE OF MIDLAND STREET TO BE SCHEDULED FOR SATURDAY/SUNDAY.