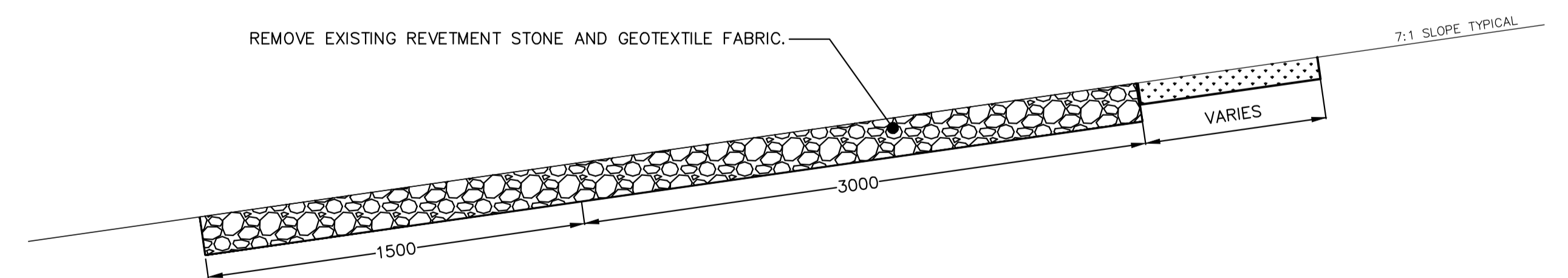


PLAN VIEW
SCALE: 1:2000

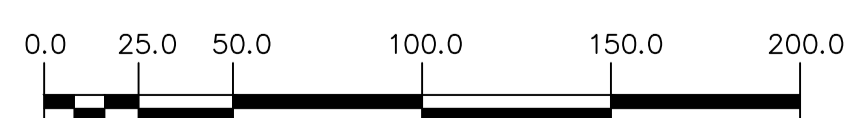
- NOTES :**
1. CONTRACTOR TO LAYOUT AND MARK EXISTING OUTFALL PIPES.
 2. CONSTRUCTION ACCESS AS DETERMINED BY THE CONTRACT ADMINISTRATOR.
 3. RESTORATION OF GRASSED AREAS TO BE WITH SOD USING IMPORTED TOPSOIL IN ACCORDANCE WITH CW 3510
 4. RESTRICT CONSTRUCTION ACTIVITIES TO CITY PROPERTIES.

LEGEND

-  REMOVE AND HAUL OFF-SITE EXCAVATED REVETMENT COURSE MATERIAL, & GEOTEXTILE



DETAIL "A"
SCALE: N.T.S.



METRIC
WHOLE NUMBERS INDICATE MILLIMETRES
DECIMALIZED NUMBERS INDICATE METRES

WARNING
IF POWER EQUIPMENT OR EXPLOSIVES ARE TO BE USED FOR EXCAVATION ON THIS PROJECT THE CONTRACTOR MUST:
1) NOTIFY THE GAS COMPANY OF THE PROPOSED LOCATION OF EXCAVATION.
2) TAKE PRECAUTION TO AVOID DAMAGE TO GAS COMPANY INSTALLATIONS.
SEE PROVINCIAL REGULATION 210/72 FOR DETAILS

LOCATION APPROVED
UNDERGROUND STRUCTURES

SUPV. U/G STRUCTURES COMMITTEE	DATE
NOTE:	
LOCATION OF UNDERGROUND STRUCTURES AS SHOWN ARE BASED ON THE BEST INFORMATION AVAILABLE BUT NO GUARANTEE IS GIVEN THAT ALL EXISTING UTILITIES ARE SHOWN OR THAT THE GIVEN LOCATIONS ARE EXACT. CONFIRMATION OF EXISTENCE AND EXACT LOCATION OF ALL SERVICES MUST BE OBTAINED FROM THE INDIVIDUAL UTILITIES BEFORE PROCEEDING WITH CONSTRUCTION.	

B.M. ELEV.	
DESIGNED BY	RG
CHECKED BY	SC
DRAWN BY	RS
APPROVED BY	SC
SCALE:	
HORIZONTAL	1:2000
VERTICAL	1:2000
RELEASED FOR CONSTRUCTION	
DATE	2023 10 23
NO.	REVISIONS
DATE	BY

DESIGNED BY	RG	CHECKED BY	SC
DRAWN BY	RS	APPROVED BY	SC
SCALE:		RELEASED FOR CONSTRUCTION	
HORIZONTAL	1:2000		
VERTICAL	1:2000		
DATE	2023 10 23	DATE	
PLOT DATE:	2023 10 23	BID OPP#:	814-2023

ENGINEER'S SEAL
PROVINCE OF MANITOBA
S.R.J. COURNOYER
Member
22699
2023-10-23
REGISTERED PROFESSIONAL ENGINEER
Digitally signed by S.R.J. Cournoyer, P. Eng.
CONSULTANT DRAWING NUMBER

THE CITY OF WINNIPEG
WATER AND WASTE DEPARTMENT
ENGINEERING DIVISION
2023 STORM WATER RETENTION BASIN
REMOVEMENT
LAKE 5-1
CITY DRAWING NUMBER **1-0461B-C0001-001** SHEET **1** OF **1**