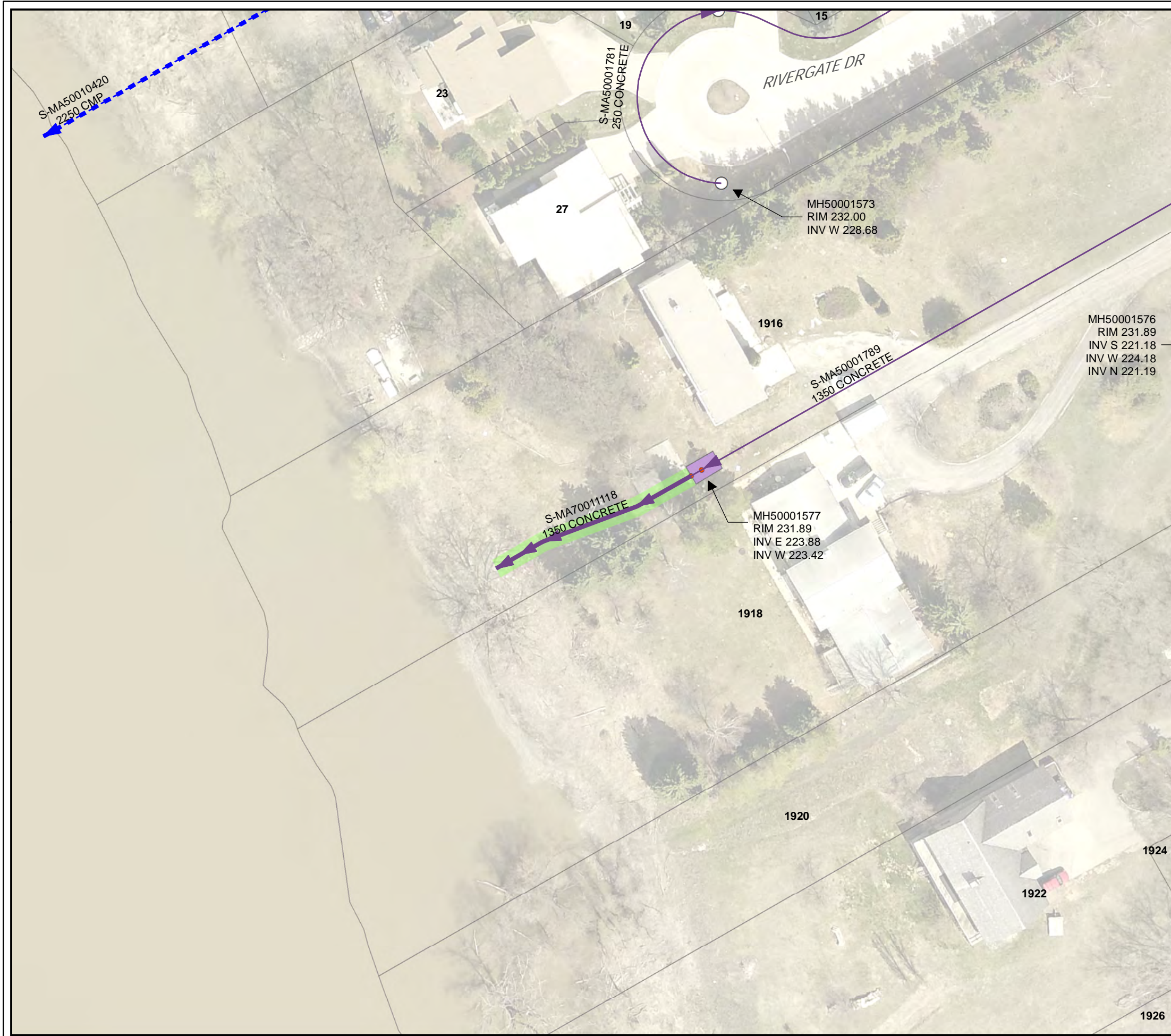
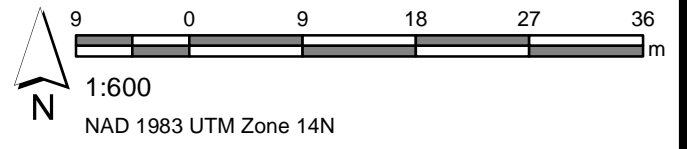


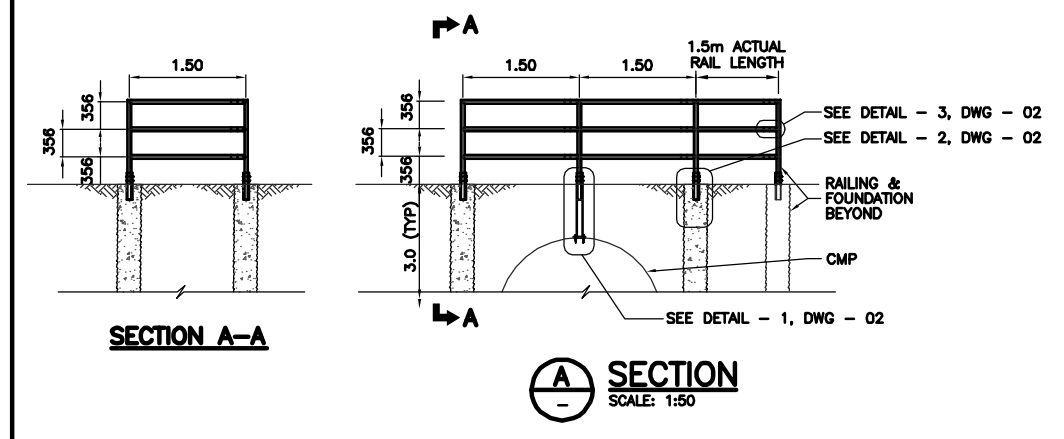
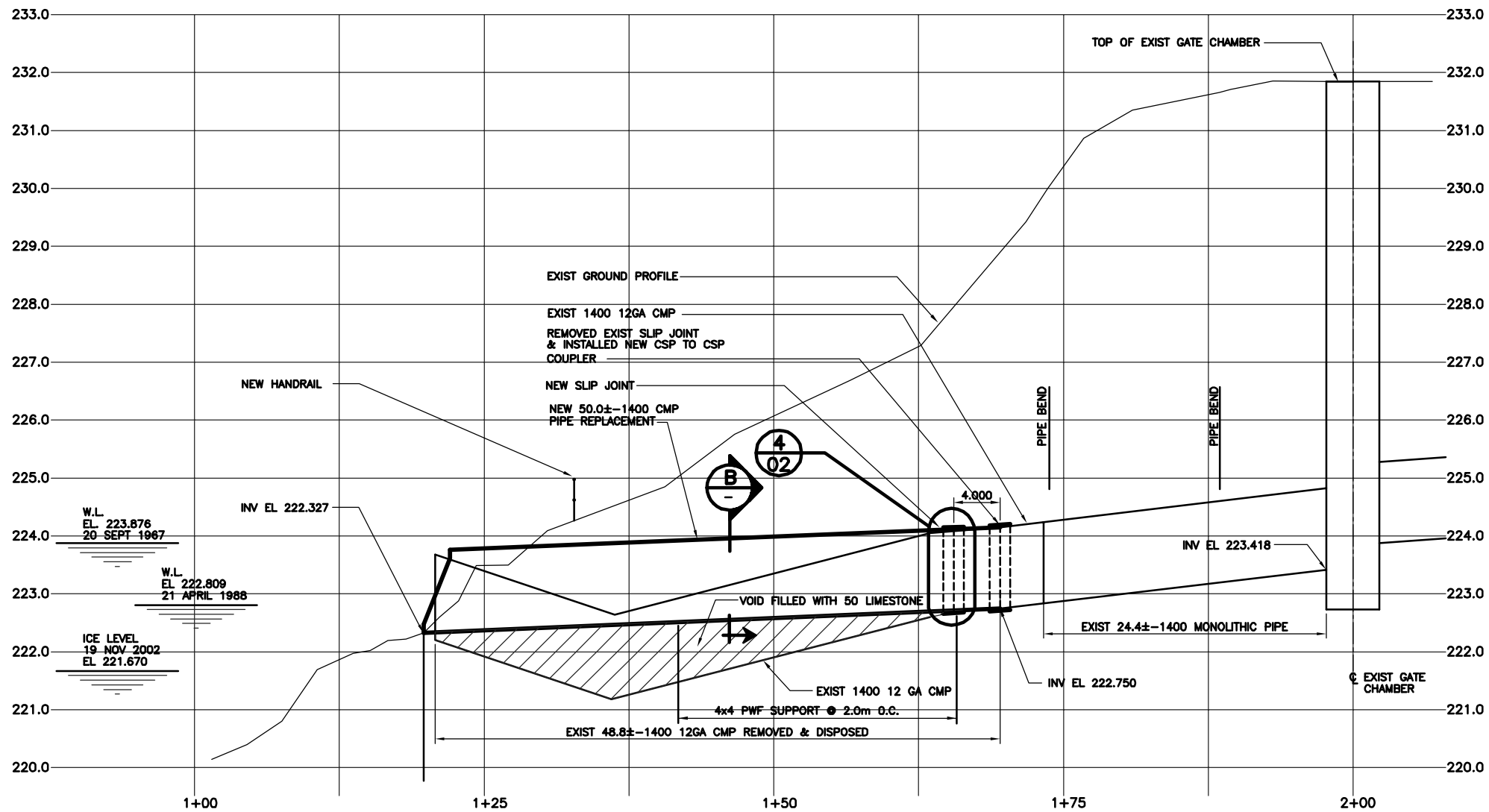
APPENDIX B – GENERAL LOCATION MAPS AND SITE SPECIFIC SUPPORTING DOCUMENTATION



- LEGEND**
- OUTFALL INSPECTION
 - LDS
 - WWS
 - SEWER MANHOLE
 - CONTROL GATE
 - CONTROL STRUCTURE

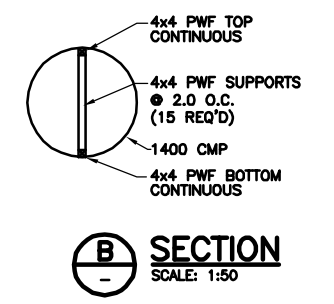


Asset Number: S-MA70053500
Location: 27 RIVERGATE DR
Coordinates: 635675.00E, 5519728.54N



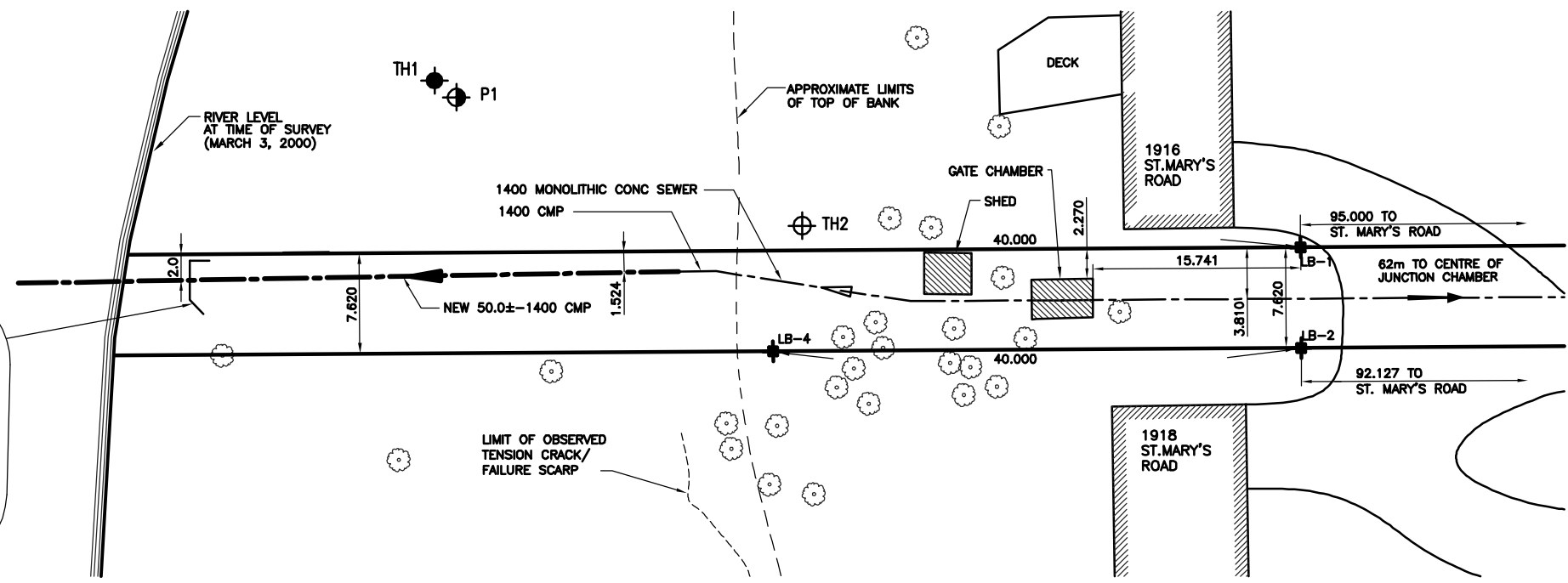
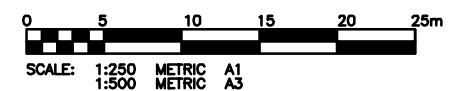
LEGAL BAR LOCATION		
BAR NO.	NORTHING	EASTING
LB-1	4913578.7738	833525.0571
LB-2	4913571.1539	833525.1059
LB-4	4913570.8977	833485.1067

AS-CONSTRUCTED
 WATER & WASTE DEPARTMENT
 PROJECT COMPLETION DATE: 24 MARCH 2003



- LEGEND**
- TREE
 - TH1 KGS GROUP TEST HOLE WITH INCLINOMETER
 - TH2 KGS GROUP TEST HOLE (FEBRUARY 2000)
 - P1 KGS GROUP PIEZOMETER (FEBRUARY 2000)
 - LB-1 LEGAL BARS

- NOTE:**
- TOPOGRAPHIC MAP BASED ON KGS SURVEY PERFORMED MARCH 3, 2000.
 - NORTH DIRECTION IS APPROXIMATE.
 - RIVER BOTTOM SOUNDINGS BY KGS GROUP MAY 11, 2000.



RIVER GATE OUTFALL
 B.M. 78-017
 ELEV. 232.416
 W. SIDE ST. MARY'S RD. S. OF BRITANNICA RD., TBLT. IN N. CONC. FOUNDATION NO. 1928
 ST. MARY'S RD., 3.8 m W. & 0.3m BELOW STUCCO OF N.E. COR. OF DWELLING.

150 WM	WATERMAIN	150 WM	HYDRO	150 WM	HYDRO	150 WM	HYDRO
	HYDRANT		M.T.S.		PROPERTY LINE		SURVEY BAR
	VALVE				LIGHT STANDARD		HYDRO POLE
	LAND DRAINAGE SEWER				GUY WIRE		SIGN
	WASTE WATER SEWER				BUSH LINE		FENCE
	MANHOLE				ELEVATION		EXISTING
	CATCH BASIN				PROPOSED		EXISTING
	CURB INLET				PROPOSED		EXISTING
	JUNCTIONS				PROPOSED		EXISTING
	CULVERT				PROPOSED		EXISTING
	GAS				PROPOSED		EXISTING
	EXISTING				PROPOSED		EXISTING

LOCATION APPROVED UNDERGROUND STRUCTURES

SUPV. U/G STRUCTURES DATE COMMITTEE

NOTE:
 LOCATION OF UNDERGROUND STRUCTURES AS SHOWN ARE BASED ON THE BEST INFORMATION AVAILABLE BUT NO GUARANTEE IS GIVEN THAT ALL EXISTING UTILITIES ARE SHOWN OR THAT THE GIVEN LOCATIONS ARE EXACT. CONFIRMATION OF EXISTENCE AND EXACT LOCATION OF ALL SERVICES MUST BE OBTAINED FROM THE INDIVIDUAL UTILITIES BEFORE PROCEEDING WITH CONSTRUCTION.

NO.	REVISIONS	DATE	BY
2	AS-BUILT	07/04/03	R.J.H.
1	LEGAL SURVEY	20/01/03	R.J.H.
0	ISSUED FOR TENDER	06/12/02	R.J.H.
A	ISSUED FOR REVIEW	02/12/02	R.J.H.

KGS GROUP
 CONSULTING ENGINEERS & PROJECT MANAGERS
 WINNIPEG (204) 896-1208
 THUNDER BAY (807) 346-2233

DESIGNED BY: R.J.H.
 CHECKED BY: R.J.H.
 DRAWN BY: D.W.
 APPROVED BY: R.J.H.

HOR. SCALE: 1:250
 VERTICAL: 1:50

RELEASER FOR CONSTRUCTION: DATE

DATE: NOV 18, 2002

ENGINEER'S SEAL
 ORIGINAL SIGNED BY: R.J. HOUSTON
 12 JUNE 06

METRIC
 WHOLE NUMBERS INDICATE MILLIMETRES
 DECIMALIZED NUMBERS INDICATE METRES

THE CITY OF WINNIPEG
 WATER & WASTE DEPARTMENT

OUTFALL REPAIRS
ST. MARY'S ROAD OVERFLOW (RR-15)
 PLAN AND SECTION

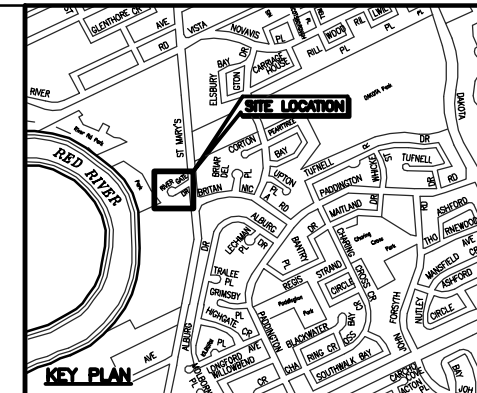
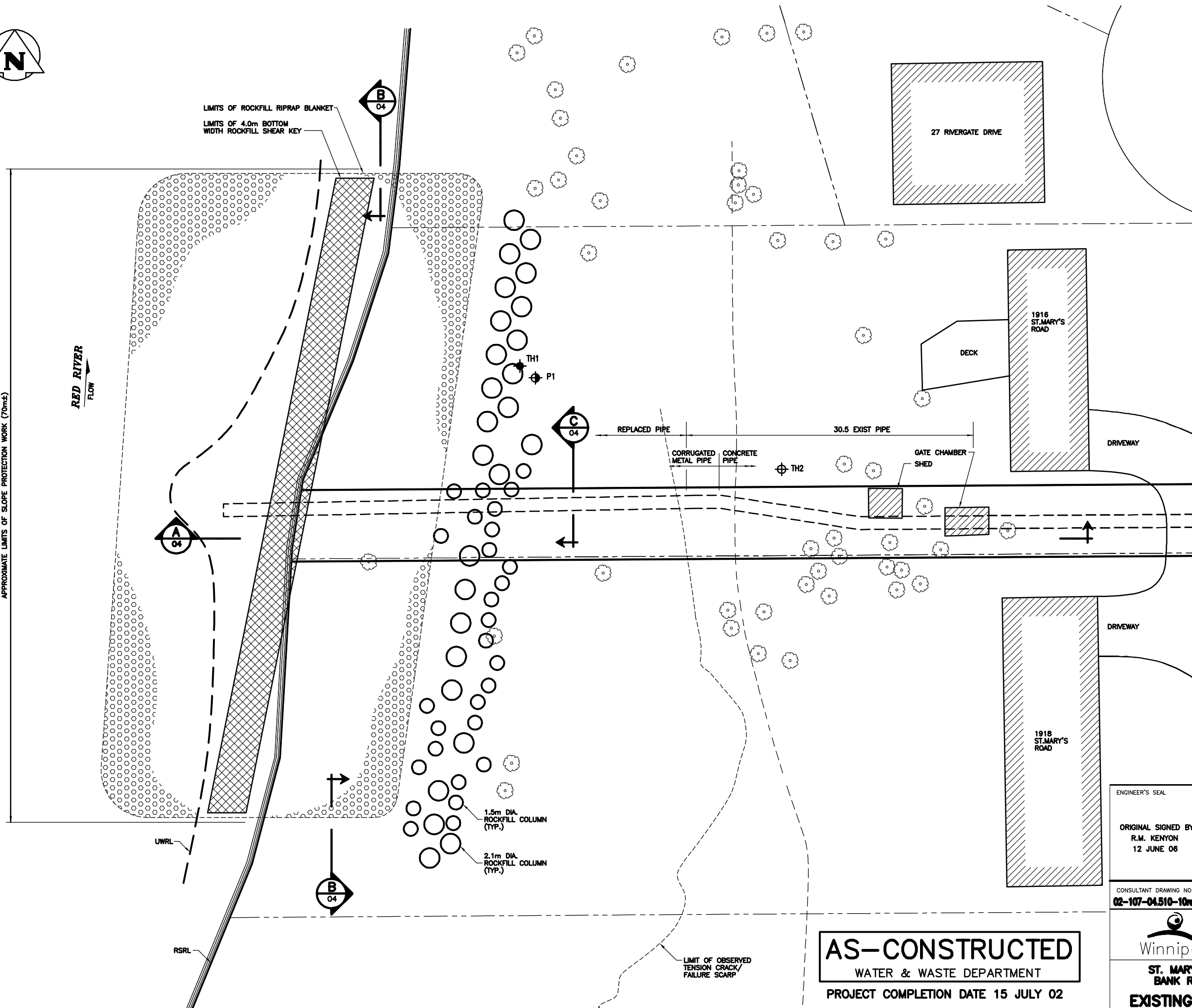
SHEET 01 OF 09
 CAD FILE DRAWING NUMBER 02-107-04_RG1-Rev2
 CITY DRAWING NUMBER LD-2748

CONSULTANT DRAWING NO. 02-107-04_RG1-Rev2

APEGM
 Certificate of Authorization
 KGS Group
 No. 245 Expiry: April 30, 2007

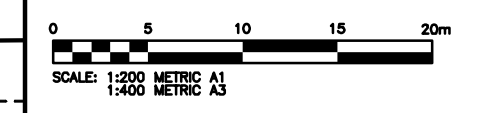


APPROXIMATE LIMITS OF SLOPE PROTECTION WORK (70m±)



- LEGEND**
- CITY OF WINNIPEG EASEMENT
 - - - UNDERGROUND 1.37m DIAMETER PIPE
 - TREE
 - TH1 ◆ KGS GROUP TEST HOLE WITH INCLINOMETER
 - TH2 ⊕ KGS GROUP TEST HOLE (FEBRUARY 2000)
 - P1 ⊕ KGS GROUP PIEZOMETER (FEBRUARY 2000)
 - RSRL REGULATED SUMMER RIVER LEVEL
 - UWRL UNREGULATED WINTER RIVER LEVEL

- NOTE:**
1. TOPOGRAPHIC MAP BASED ON KGS GROUP SURVEY PERFORMED MARCH 3, 2000.
 2. NORTH DIRECTION IS APPROXIMATE.
 3. RIVER BOTTOM SOUNDINGS BY KGS GROUP MAY 11, 2000.
 4. CONSTRUCTION ACCESS TO BE DETERMINED BY CONTRACTOR, AND SHALL BE SUBJECT TO THE APPROVAL OF THE CONTRACT ADMINISTRATOR.



B.M. 64-008
N.W. CORNER RIVERSIDE DR. AND
BYNG PL., 19mm DIA. x 6.1m I.B.
IN VALVE BOX, 1.0m N. OF N.L.
BYNG PL. AND 1.0m W. OF
W.L. RIVERSIDE DR.



B.M. 64-008
ELEV. 231.949

NO.	REVISIONS	DATE	BY
1	AS-BUILT	14/04/03	RMK
0	ISSUED FOR TENDER	29/11/02	RMK

ENGINEER'S SEAL

ORIGINAL SIGNED BY
R.M. KENYON
12 JUNE 06

KGS GROUP CONSULTING ENGINEERS & PROJECT MANAGERS
WINNIPEG (204) 896-1200
THUNDER BAY (807) 345-2233

DESIGNED BY T.C.	CHECKED BY -
DRAWN BY A.M.	APPROVED BY
HOR. SCALE: 1:200	RELEASED FOR CONSTRUCTION:
VERTICAL: -	DATE

CONSULTANT DRAWING NO.
02-107-04.510-10rev1

DATE: DECEMBER 06, 2002

AS-CONSTRUCTED
WATER & WASTE DEPARTMENT
PROJECT COMPLETION DATE 15 JULY 02

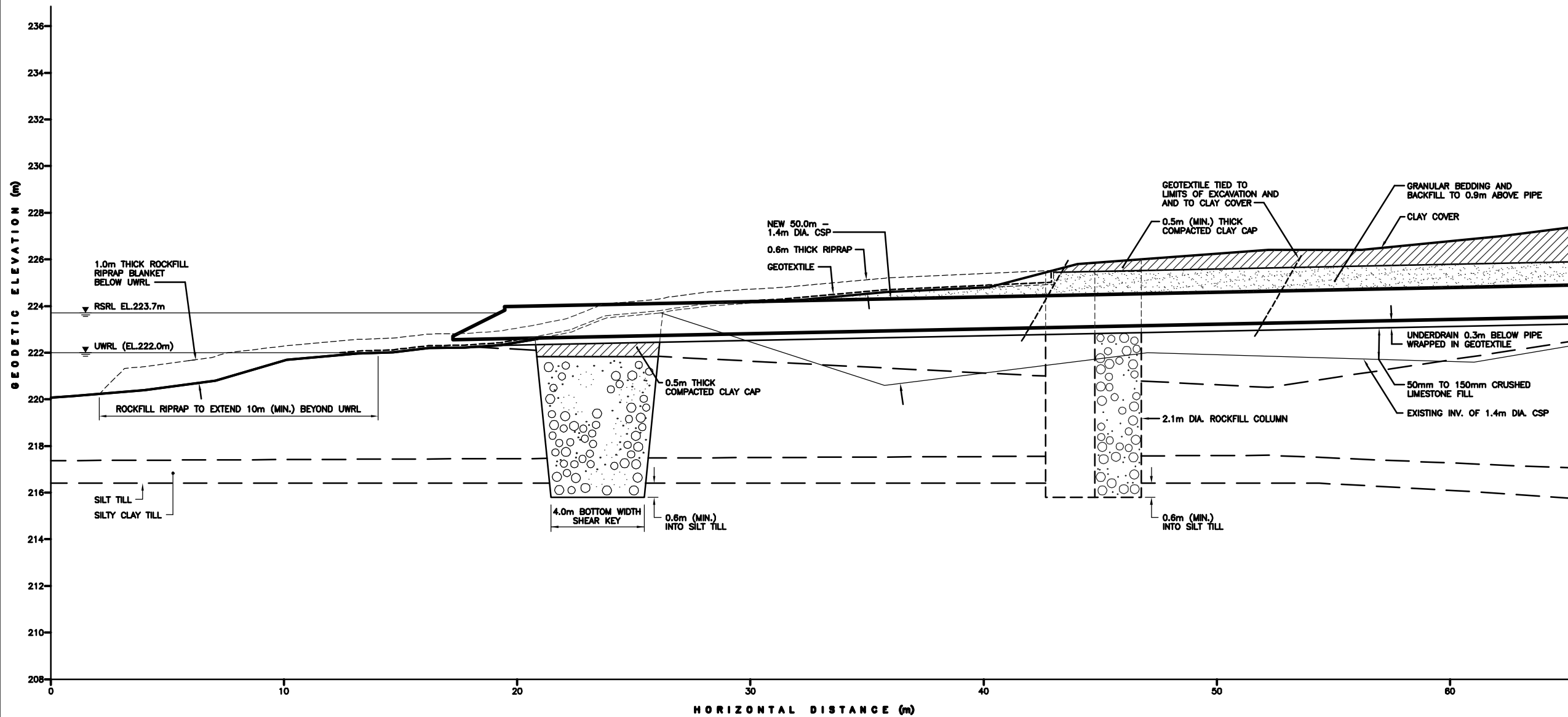
THE CITY OF WINNIPEG
WATER & WASTE DEPARTMENT
Winnipeg

**ST. MARY'S ROAD OVERFLOW
BANK REMEDIATION WORKS**

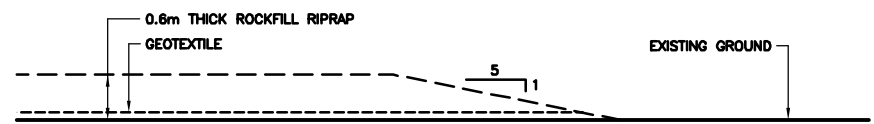
EXISTING SITE PLAN AND
LIMITS OF WORKS

SHEET **03** OF **09**
CAD FILE DRAWING NUMBER
02-107-04.510-10rev1
CITY DRAWING NUMBER
LD-2750

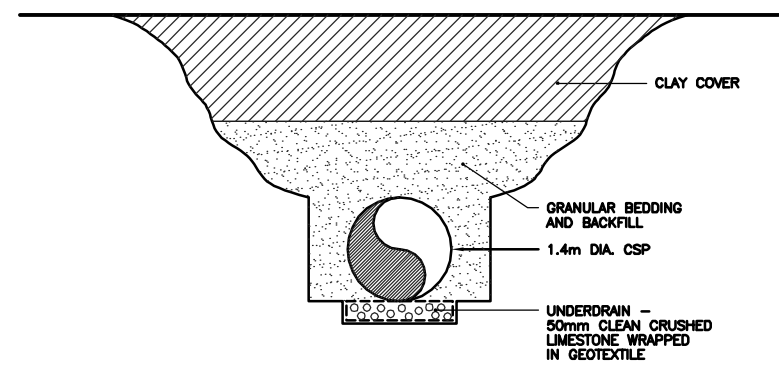
COWLEND



A SECTION (SLOPE STABILITY ASSESSMENT)
03



B SECTION
SCALE: 1:50 METRIC A1
03

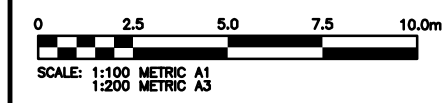


C SECTION
SCALE: 1:50 METRIC A1
03

LEGEND

RSRL	REGULATED SUMMER RIVER LEVEL
UWRL	UNREGULATED WINTER RIVER LEVEL

- NOTE:**
1. RSRL - REGULATED SUMMER RIVER LEVEL.
CMP - CORRUGATED METAL PIPE.
UWRL - UNREGULATED WINTER RIVER LEVEL.
 2. SLOPE GEOMETRY BASED ON KGS GROUP SURVEY PERFORMED MARCH 3, 2000.
 3. RIVER BOTTOM GEOMETRY BASED ON KGS GROUP RIVER BOTTOM SOUNDINGS MAY 11, 2000.
 4. OUTFALL GEOMETRY BASED ON CITY OF WINNIPEG, WATERWORKS AND WASTE DISPOSAL DIVISION DRAWING No. 607 DATED JULY 19, 1967.



B.M. 64-008
N.W. CORNER RIVERSIDE DR. AND
BYNG PL., 19mm DIA. x 6.1m I.B.
IN VALVE BOX, 1.0m N. OF N.L.
BYNG PL. AND 1.0m W. OF
W.L. RIVERSIDE DR.

PEGM
Certificate of Authorization
KGS Group
No. 246 Expiry: April 30, 2007

B.M. 64-008
ELEV. 231.949

NO.	REVISIONS	DATE	BY
1	AS-BUILT	14/04/03	RMK
0	ISSUED FOR TENDER	29/11/02	RMK

ENGINEER'S SEAL

ORIGINAL SIGNED BY
R.M. KENYON
12 JUNE 06

KGS GROUP CONSULTING ENGINEERS & PROJECT MANAGERS
WINNIPEG (204) 696-1200
THUNDER BAY (807) 346-2233

DESIGNED BY T.C.	CHECKED BY -
DRAWN BY A.M.	APPROVED BY

HOR. SCALE: 1:100
VERTICAL: -

RELEASED FOR CONSTRUCTION: _____
DATE: DECEMBER 06, 2002

AS-CONSTRUCTED
WATER & WASTE DEPARTMENT
PROJECT COMPLETION DATE 15 JULY 02

THE CITY OF WINNIPEG
WATER & WASTE DEPARTMENT
Winnipeg

**ST. MARY'S ROAD OVERFLOW
BANK REMEDIATION WORKS**

SHEET **04** OF **09**
CAD FILE DRAWING NUMBER
02-107-04.510-10rev1
CITY DRAWING NUMBER
LD-2751

COWLE/END

136-01



136-01



136-01

