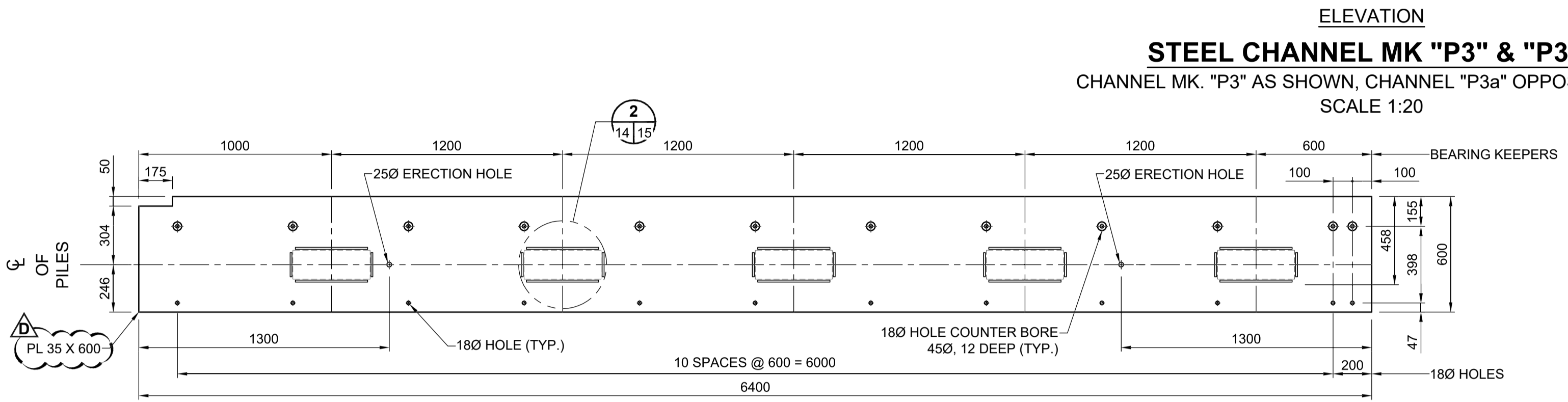
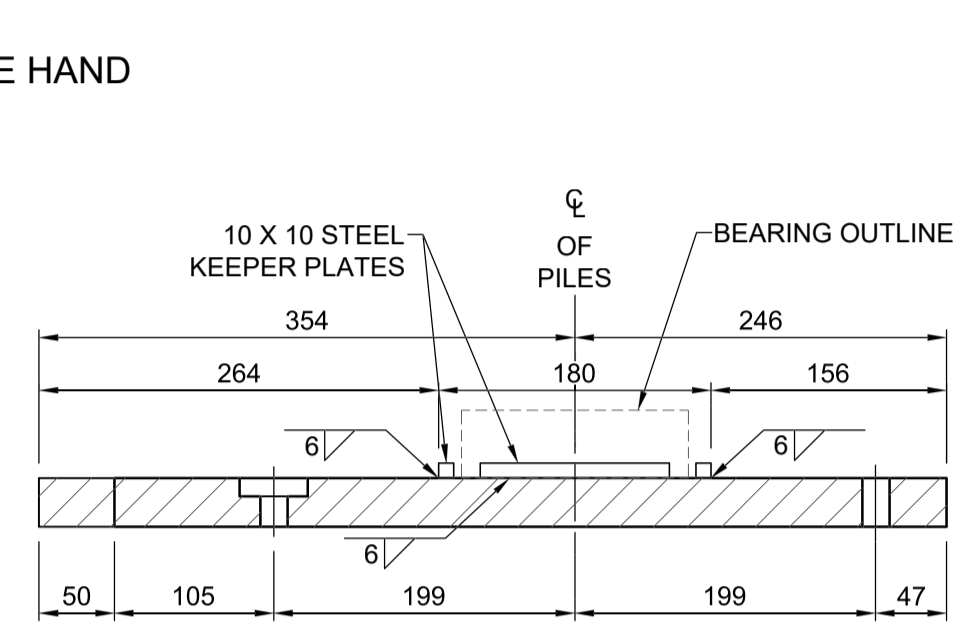


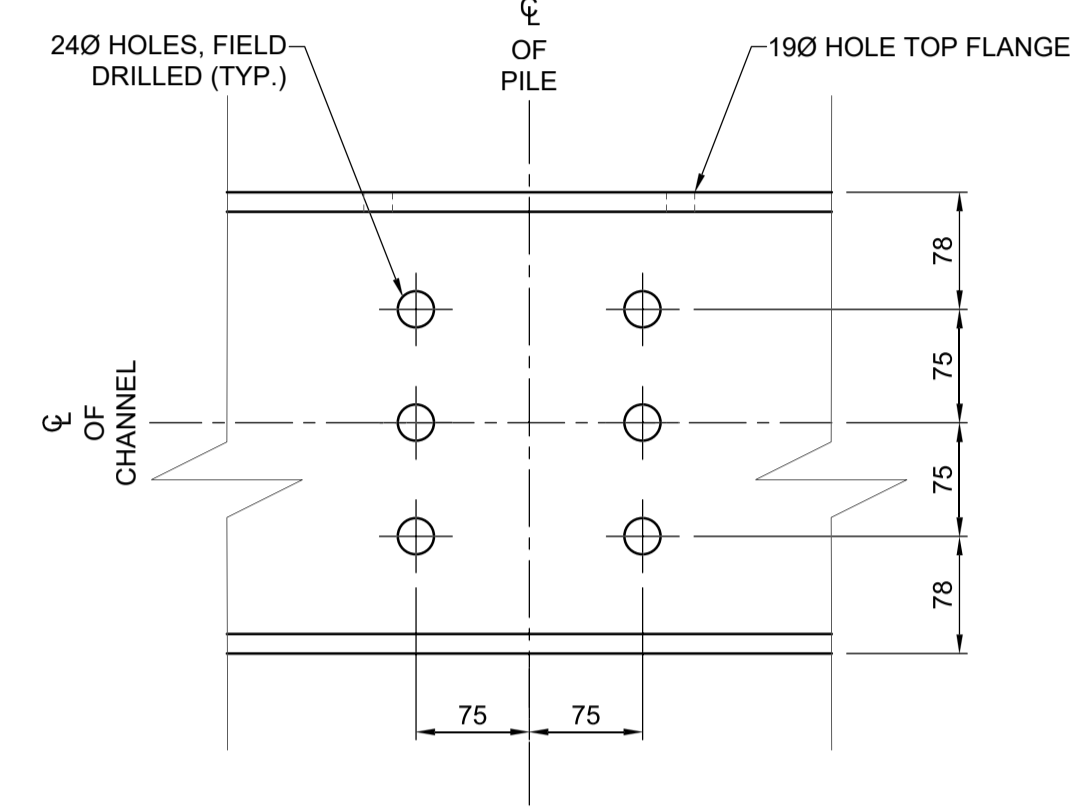
**CHANNEL CROSS SECTION**  
SCALE 1:5



**STEEL PLATE MK "P1" & "P1a"**  
PLATE MK "P1" AS SHOWN, "P1a" OPPOSITE HAND  
SCALE 1:20



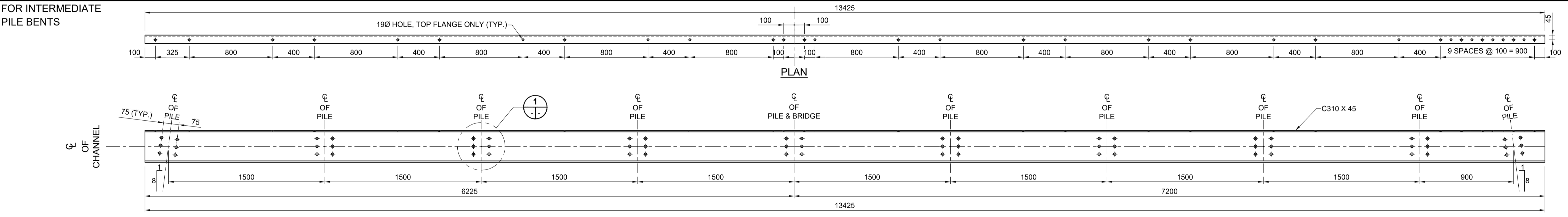
**PLATE "P1" & "P1a" CROSS SECTION**  
SCALE 1:5



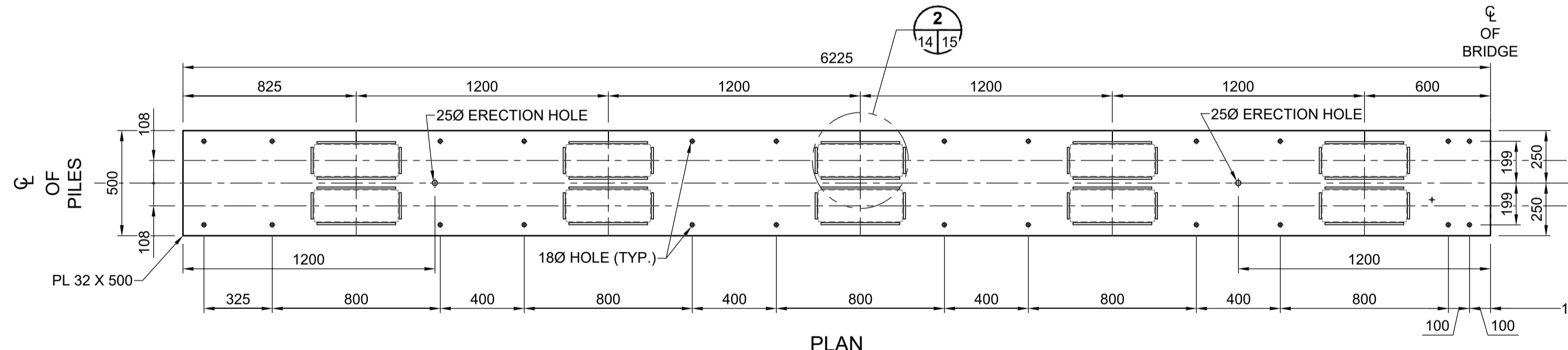
**DETAIL**  
SCALE 1:5

FOR ABUTMENTS

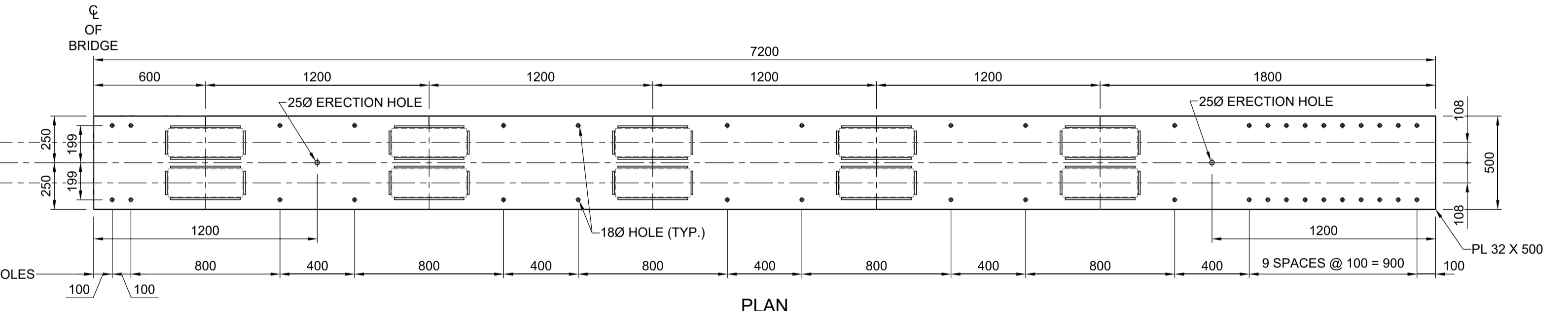
FOR INTERMEDIATE PILE BENTS



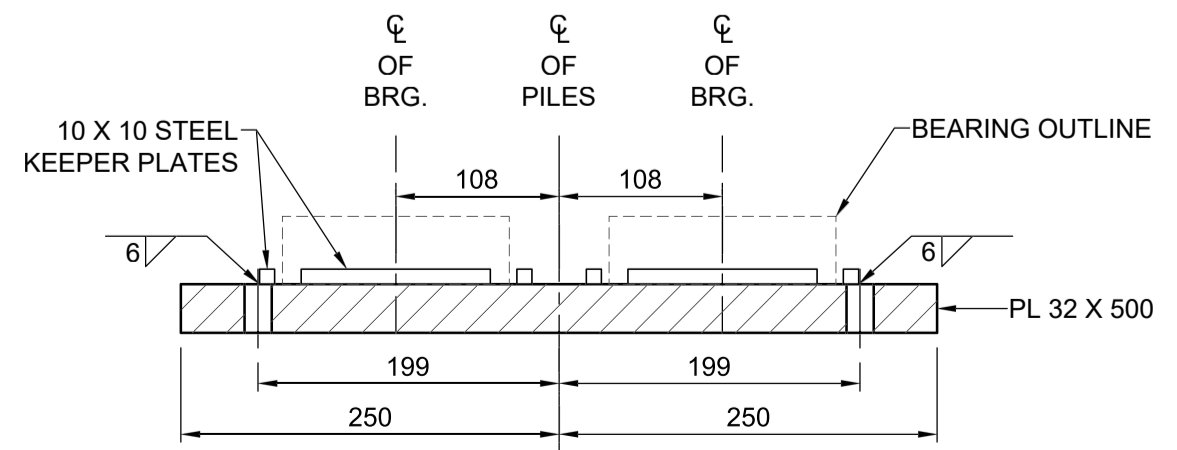
**STEEL CHANNEL MK "P4" & "P4a"**  
CHANNEL MK. "P4" AS SHOWN, CHANNEL "P4a" OPPOSITE HAND  
SCALE 1:20



**STEEL PLATE MK "P2"**  
SCALE 1:20



**STEEL PLATE MK "P2a"**  
SCALE 1:20



**PLATE MK "P2" & "P2a" CROSS SECTION**  
SCALE 1:5

**LOCATION APPROVED UNDERGROUND STRUCTURES**  
SUPR. U/G STRUCTURES COMMITTEE DATE  
**NOTE:** LOCATION OF UNDERGROUND STRUCTURES AS SHOWN ARE BASED ON THE BEST INFORMATION AVAILABLE BUT NO GUARANTEE IS GIVEN THAT ALL EXISTING UTILITIES ARE SHOWN OR THAT THE GIVEN LOCATIONS ARE EXACT. CONFIRMATION OF EXISTENCE AND EXACT LOCATION OF ALL SERVICES MUST BE OBTAINED FROM THE INDIVIDUAL UTILITIES BEFORE PROCEEDING WITH CONSTRUCTION.

BM 78-009 ELEV 232.749 m	N.W. Cor. Paddington Rd. & Dakota St., 19 mm dia. x 6.1 m I.B. in Valve Box, 5.5 m S. of N.L. Paddington Rd. & on W.L. of Dakota St. in traffic island.		
D	ISSUED FOR ADDENDUM 1	23/08/23	BAP
C	ISSUED FOR TENDER	23/08/02	BAP
B	ISSUED FOR 95% REVIEW	23/06/27	BAP
A	ISSUED FOR 50% REVIEW	23/04/14	BAP
No.	REVISIONS	YYMMDD	BY



DESIGNED BY	ALP	CHECKED BY	AGG
DRAWN BY	AS	APPROVED BY	BAP
HOR SCALE	AS SHOWN	RELEASED FOR CONSTRUCTION	
VERT SCALE	AS SHOWN		
DATE	JUNE 27, 2023	DATE	

PROFESSIONAL'S SEAL  
CONSULTANT FILE NAME  
2203665-CBR-DD-PILECAPS01.dwg

**ENGINEERS GEOSCIENTISTS MANITOBA**  
Certificate of Authorization  
MORRISON HERSHFIELD  
No. 1736  
TENDER No. 335-2023

**THE CITY OF WINNIPEG**  
PUBLIC WORKS DEPARTMENT  
ENGINEERING DIVISION

**CREEK BEND ROAD BRIDGE REPLACEMENT AND RELATED WORKS**

**STEEL PILE CAPS DETAILS**

CITY DRAWING NUMBER: B149-23-14  
SHEET OF: 14 OF 52  
DRAWING NUMBER: 14

**METRIC**  
WHOLE NUMBERS INDICATE MILLIMETRES  
DECIMALIZED NUMBERS INDICATE METRES