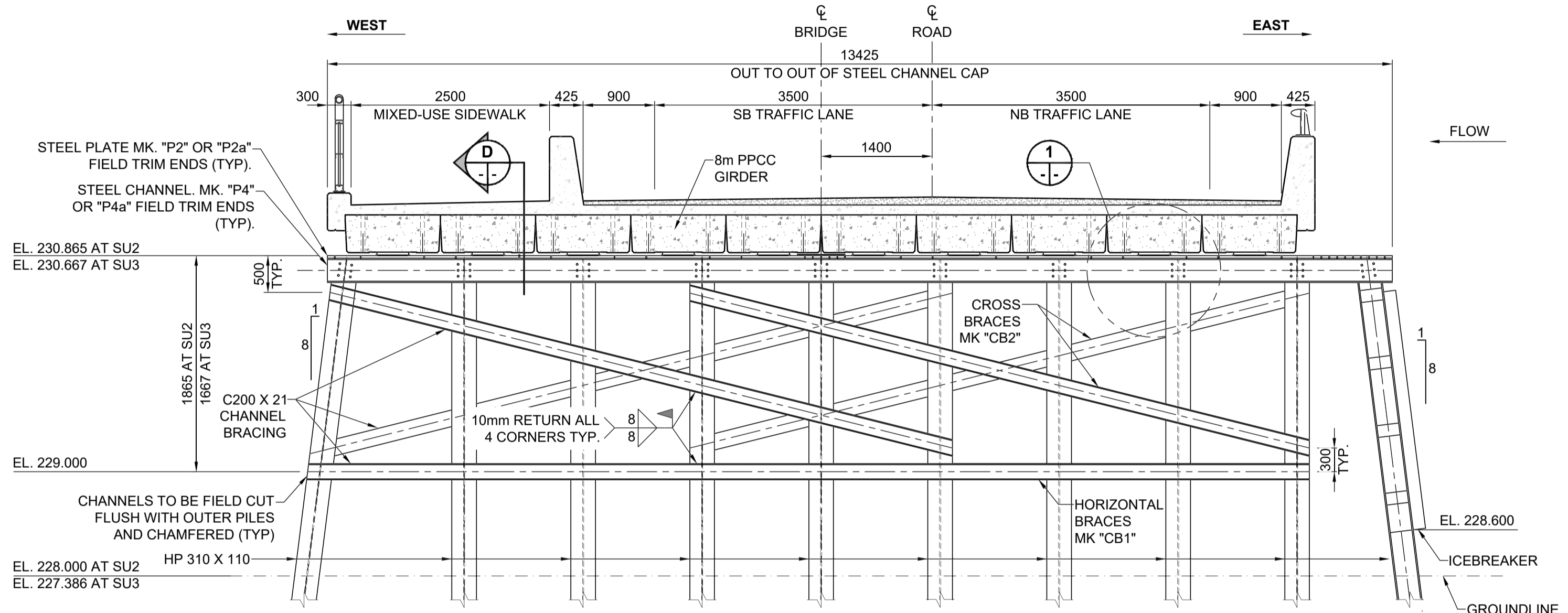
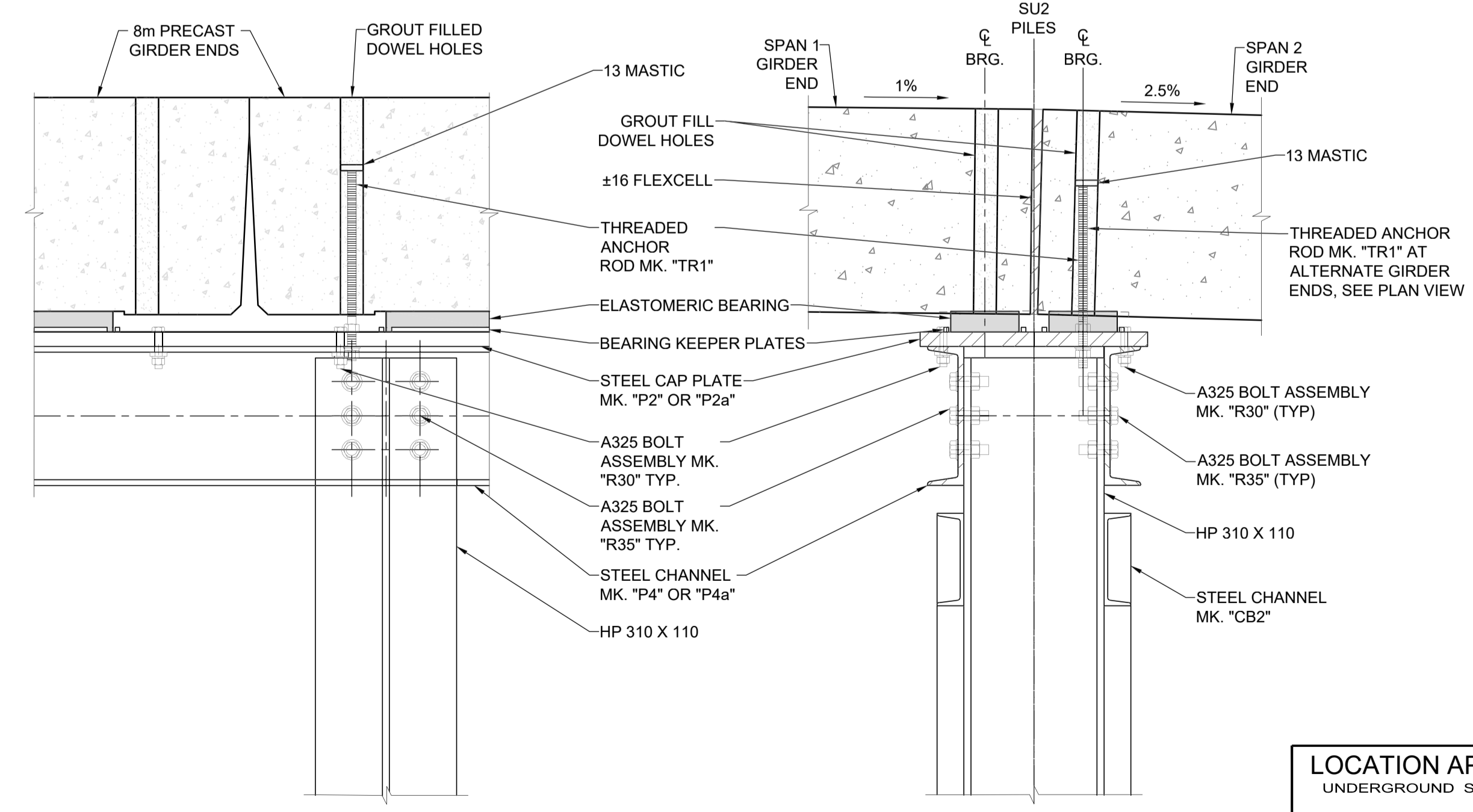


PILE BENT PLAN VIEW
SCALE: 1:50

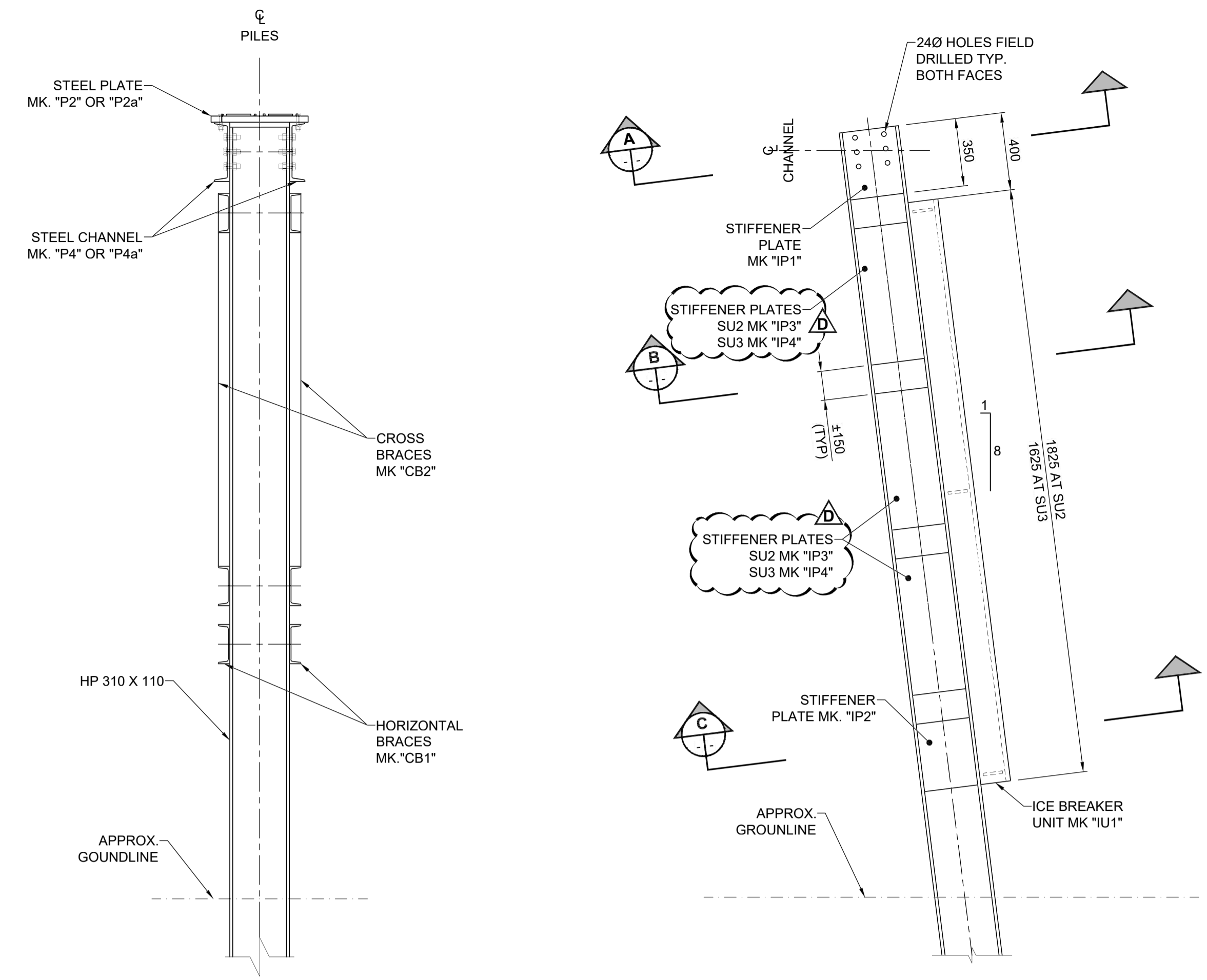


PILE BENT ELEVATION
SCALE: 1:50

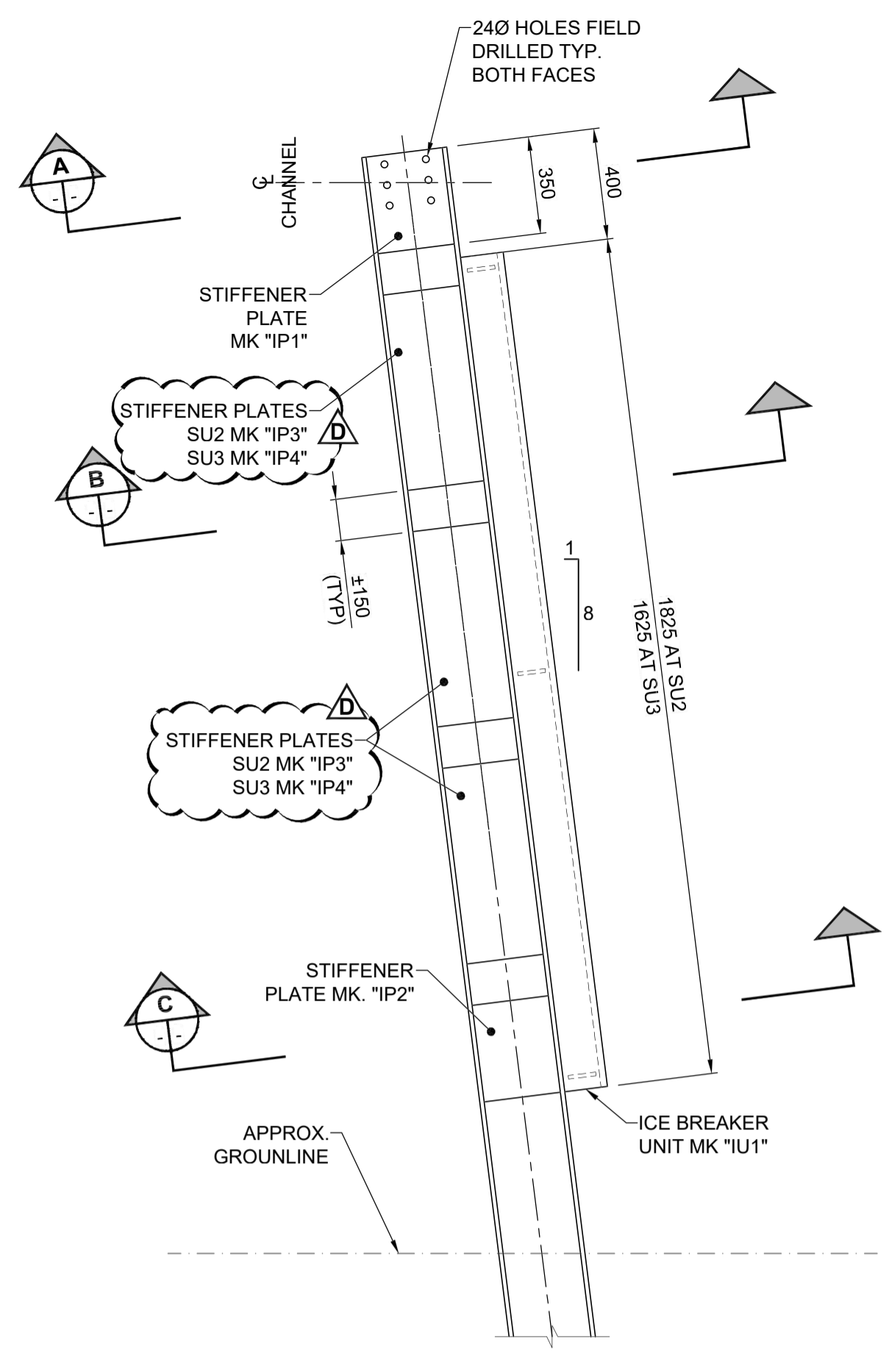


DETAIL 1
SCALE: 1:10

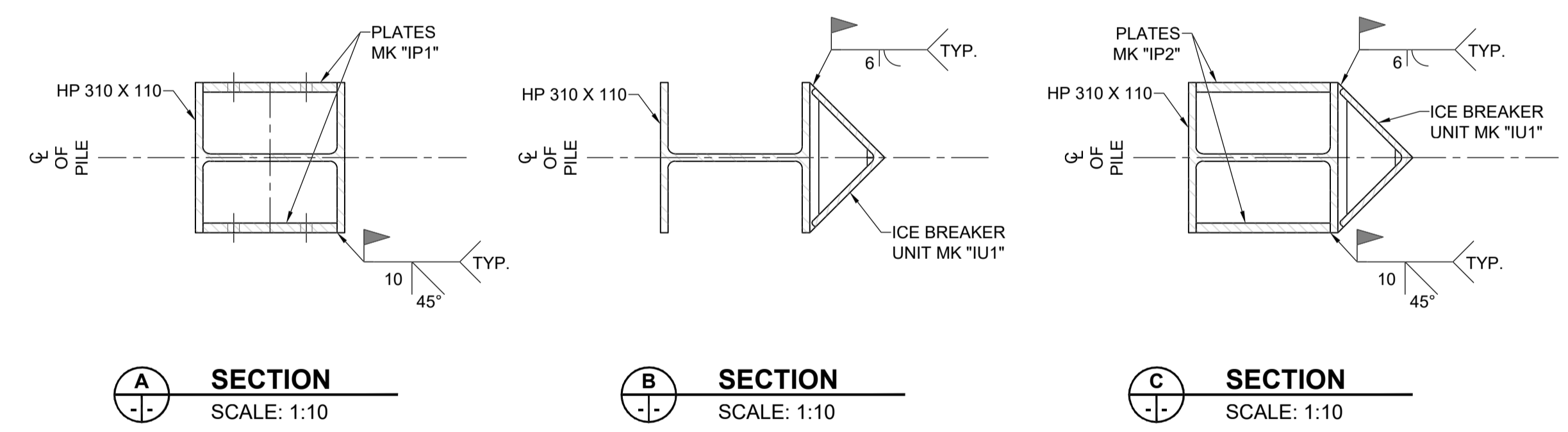
SECTION D
SU2 SHOWN, SU3 SIMILAR
SCALE: 1:10



END VIEW AT PILE BENT
SCALE: 1:20



PILE BENT ICEBREAKER
SCALE: 1:20



SECTION A
SCALE: 1:10

SECTION B
SCALE: 1:10

SECTION C
SCALE: 1:10

- NOTES:**
- ALL DIAGONAL AND/OR HORIZONTAL STEEL CHANNEL BRACING SHOWN SHALL BE INSTALLED AS PER THE DETAILS, HOWEVER IF THE CHANNEL WATER/ICE LEVEL AT THE TIME OF INSTALLATION OF BRACING IS SUCH AS TO INTERFERE WITH THE SHOWN BRACING, THE ENGINEER SHALL SO BE ADVISED.
 - SEE SHEET 15 FOR ICEBREAKER UNIT MK "IU1", PLATE MK "IP1", AND PLATE MK "IP2" DETAILS
 - SEE SHEET 2 FOR STEEL BOLT HARDWARE SCHEDULE.



TENDER No. 335-2023

LOCATION APPROVED UNDERGROUND STRUCTURES

SUPR. U/G STRUCTURES COMMITTEE DATE

NOTE: LOCATION OF UNDERGROUND STRUCTURES AS SHOWN ARE BASED ON THE BEST INFORMATION AVAILABLE BUT NO GUARANTEE IS GIVEN THAT ALL EXISTING UTILITIES ARE SHOWN OR THAT THE GIVEN LOCATIONS ARE EXACT. CONFIRMATION OF EXISTENCE AND EXACT LOCATION OF ALL SERVICES MUST BE OBTAINED FROM THE INDIVIDUAL UTILITIES BEFORE PROCEEDING WITH CONSTRUCTION.

| | | |
|------|-----------------------|---|
| BM | 78-009 | N.W. Cor. Paddington Rd. & Dakota St., 19 mm dia. x 6.1 m |
| ELEV | 232.749 m | 1.8 m in Valve Box, 5.5 m S. of N.L. Paddington Rd. & on W.L. of Dakota St., in traffic island. |
| D | ISSUED FOR ADDENDUM 1 | 23/08/23 BAP |
| C | ISSUED FOR TENDER | 23/08/02 BAP |
| B | ISSUED FOR 95% REVIEW | 23/06/27 BAP |
| A | ISSUED FOR 50% REVIEW | 23/04/14 BAP |
| No. | REVISIONS | YY/MM/DD BY |



| | | | |
|-------------|---------------|---------------------------|-----|
| DESIGNED BY | ALP | CHECKED BY | AGG |
| DRAWN BY | AS | APPROVED BY | BAP |
| HOR SCALE | AS SHOWN | RELEASED FOR CONSTRUCTION | |
| VERT SCALE | AS SHOWN | | |
| DATE | JUNE 27, 2023 | DATE | |

PROFESSIONAL'S SEAL

CONSULTANT FILE NAME
2203665-CBR-DD-PIER01.dwg

THE CITY OF WINNIPEG
PUBLIC WORKS DEPARTMENT
ENGINEERING DIVISION

CREEK BEND ROAD BRIDGE REPLACEMENT AND RELATED WORKS

PIER DETAILS AND SECTIONS

CITY DRAWING NUMBER: B149-23-13
SHEET 13 OF 52
DRAWING NUMBER: 13

METRIC
WHOLE NUMBERS INDICATE MILLIMETRES
DECIMALIZED NUMBERS INDICATE METRES