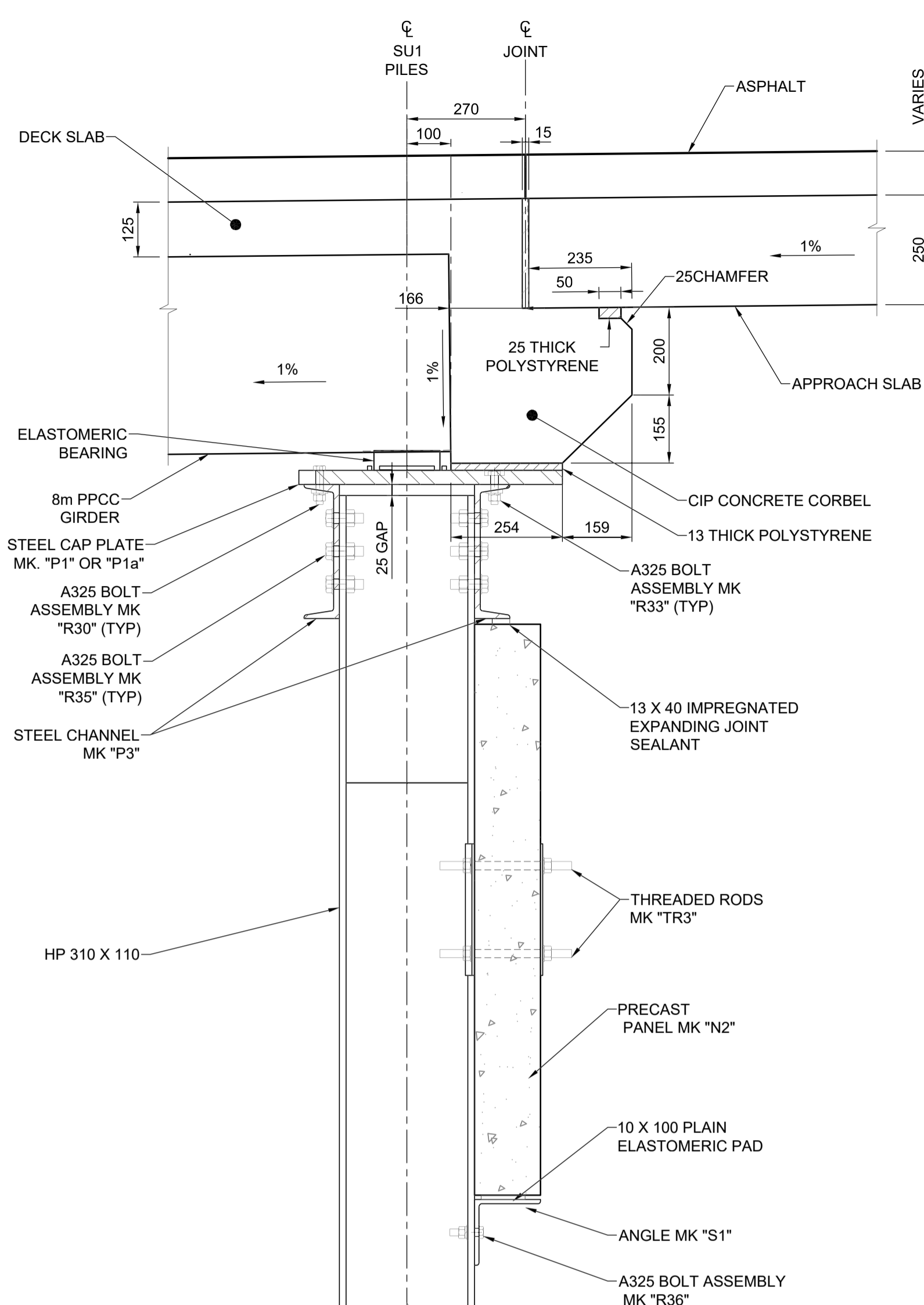
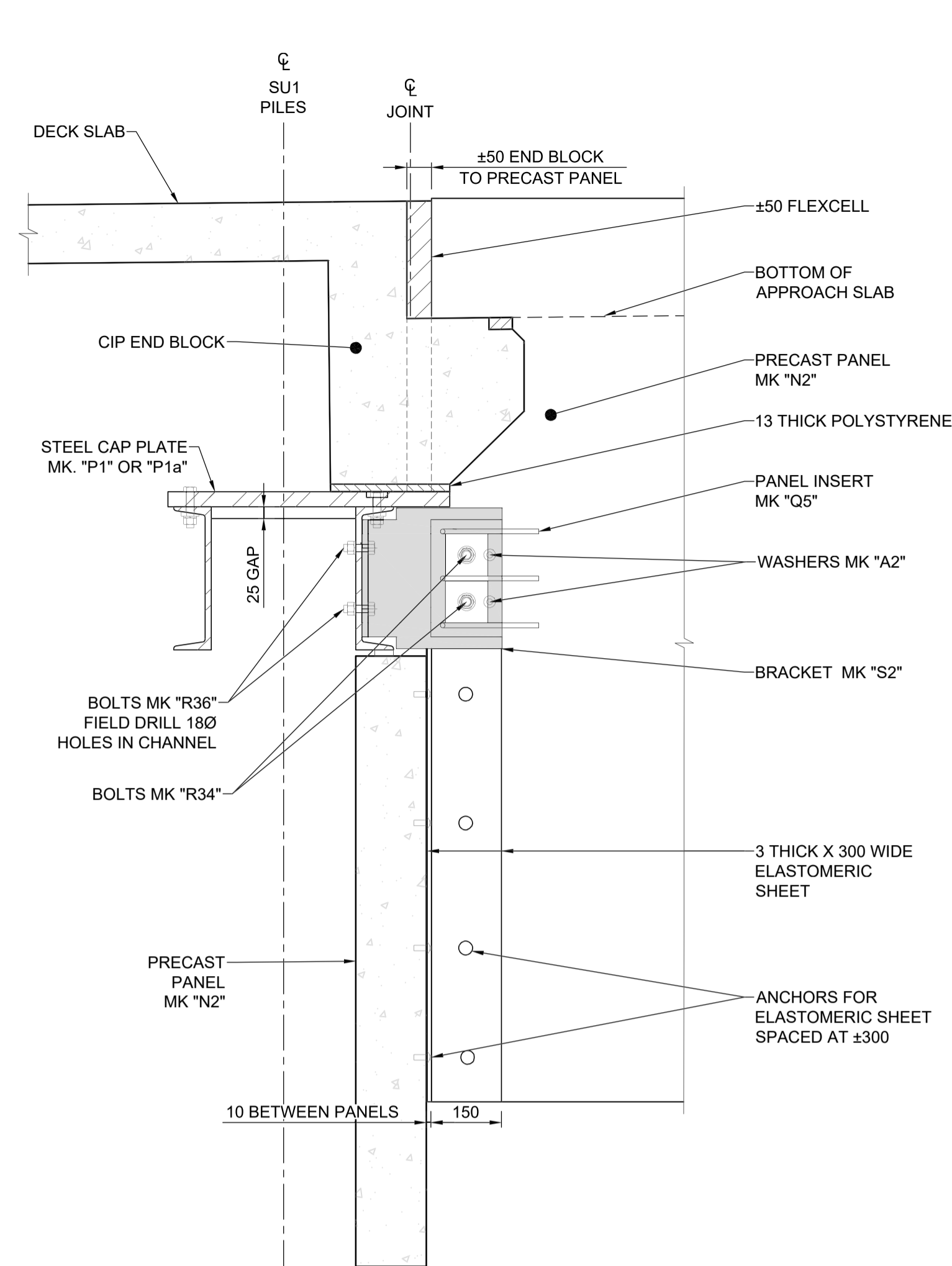


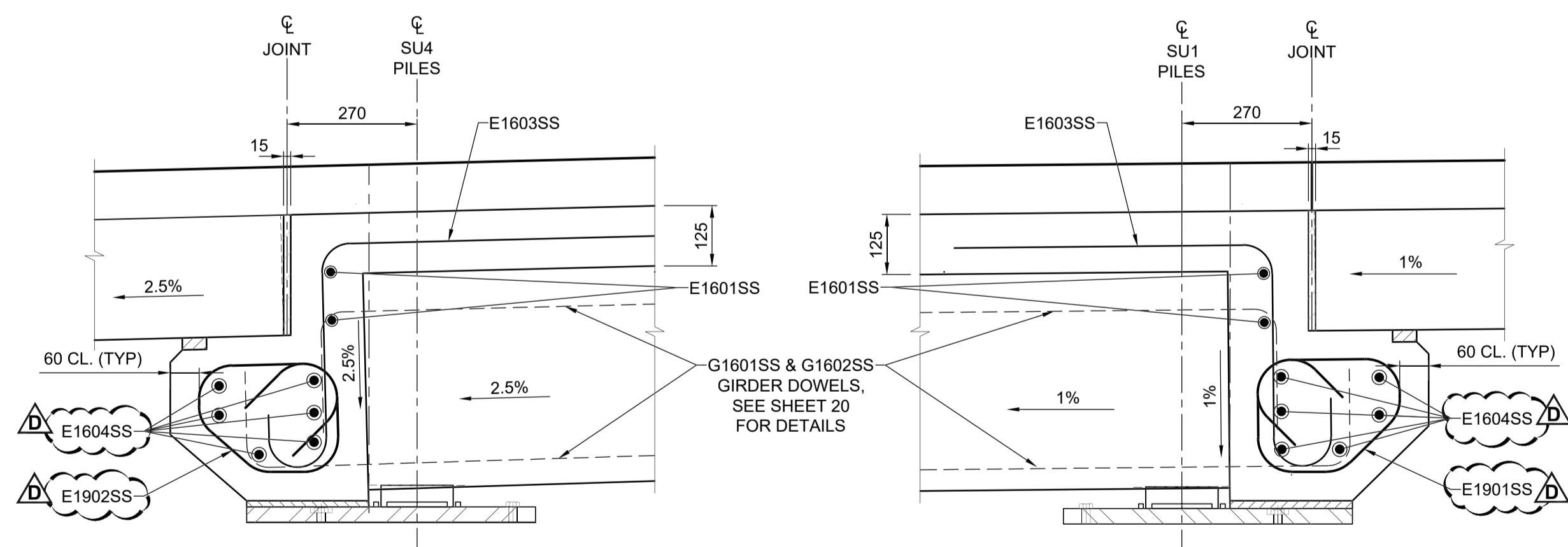
A SECTION
09/10
SU4 ABUTMENT
SCALE: 1:10



A SECTION
09/10
SU1 ABUTMENT
SCALE: 1:10

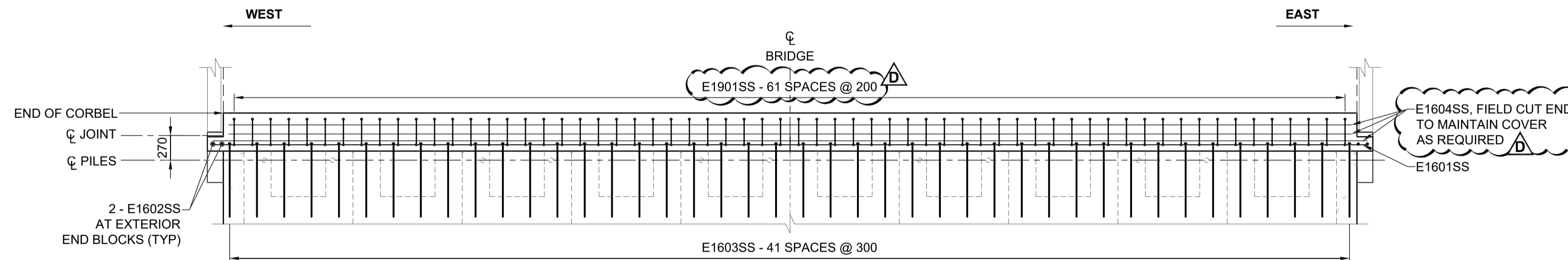


C SECTION
09/10
SU1 SHOWN, SU4 SIMILAR
SCALE 1:10



SU4 CORBEL
REINFORCING DETAIL
SCALE 1:10

SU1 CORBEL
REINFORCING DETAIL
SCALE 1:10



CORBEL REINFORCING LAYOUT
PLAN VIEW - SU1 SHOWN, SU4 SIMILAR
SCALE 1:40

NOTE: SEE SHEET 2 FOR STEEL BOLT HARDWARE SCHEDULE.

LOCATION APPROVED
UNDERGROUND STRUCTURES

SUPR. U/G STRUCTURES COMMITTEE DATE

NOTE:
LOCATION OF UNDERGROUND STRUCTURES AS SHOWN ARE BASED ON THE BEST INFORMATION AVAILABLE BUT NO GUARANTEE IS GIVEN THAT ALL EXISTING UTILITIES ARE SHOWN OR THAT THE GIVEN LOCATIONS ARE EXACT. CONFIRMATION OF EXISTENCE AND EXACT LOCATION OF ALL SERVICES MUST BE OBTAINED FROM THE INDIVIDUAL UTILITIES BEFORE PROCEEDING WITH CONSTRUCTION.

BM 78-009 ELEV 232.749 m	N.W. Cor. Paddington Rd. & Dakota St., 19 mm dia. x 6.1 m I.B. in Valve Box, 5.5 m S. of N.L. Paddington Rd. & on W.L. of Dakota St. in traffic island.
D	ISSUED FOR ADDENDUM 1 23/08/23 BAP
C	ISSUED FOR TENDER 23/08/02 BAP
B	ISSUED FOR 95% REVIEW 23/06/27 BAP
A	ISSUED FOR 50% REVIEW 23/04/14 BAP
No. REVISIONS	YYMM/DD BY DATE

MORRISON HERSHFIELD	
DESIGNED BY ALP	CHECKED BY AGG
DRAWN BY AS	APPROVED BY BAP
HOR SCALE AS SHOWN	RELEASED FOR CONSTRUCTION
VERT SCALE AS SHOWN	
DATE JUNE 27, 2023	DATE

PROFESSIONAL'S SEAL

CONSULTANT FILE NAME
2203665-CBR-DD-ABUT02.dwg

ENGINEERS GEOSCIENTISTS MANITOBA
Certificate of Authorization
MORRISON HERSHFIELD
No. 1736
TENDER No. 335-2023

THE CITY OF WINNIPEG
PUBLIC WORKS DEPARTMENT
ENGINEERING DIVISION

CREEK BEND ROAD BRIDGE REPLACEMENT AND RELATED WORKS

CITY DRAWING NUMBER
B149-23-10

SHEET 10 OF 52

DRAWING NUMBER
10

ABUTMENT END BLOCK CORBEL DETAILS

METRIC
WHOLE NUMBERS INDICATE MILLIMETRES
DECIMALIZED NUMBERS INDICATE METRES