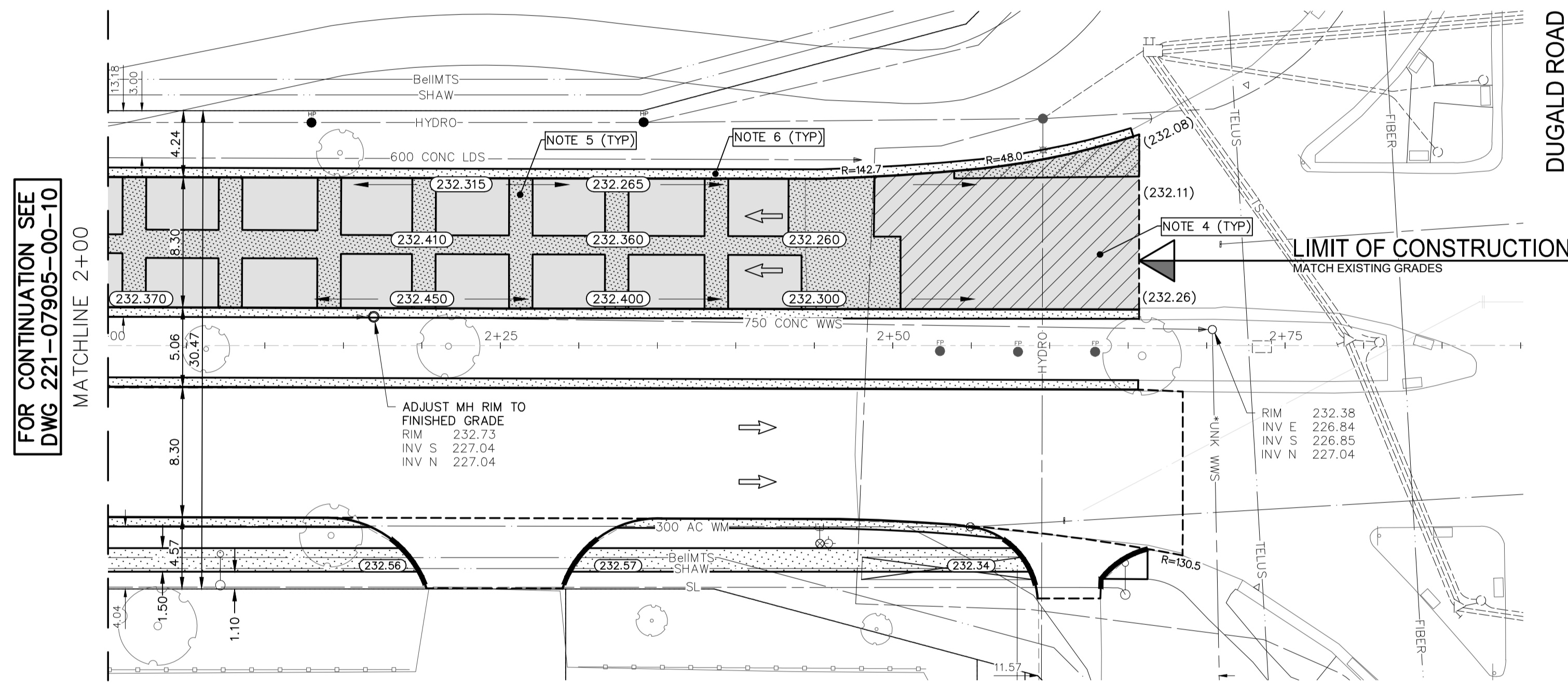
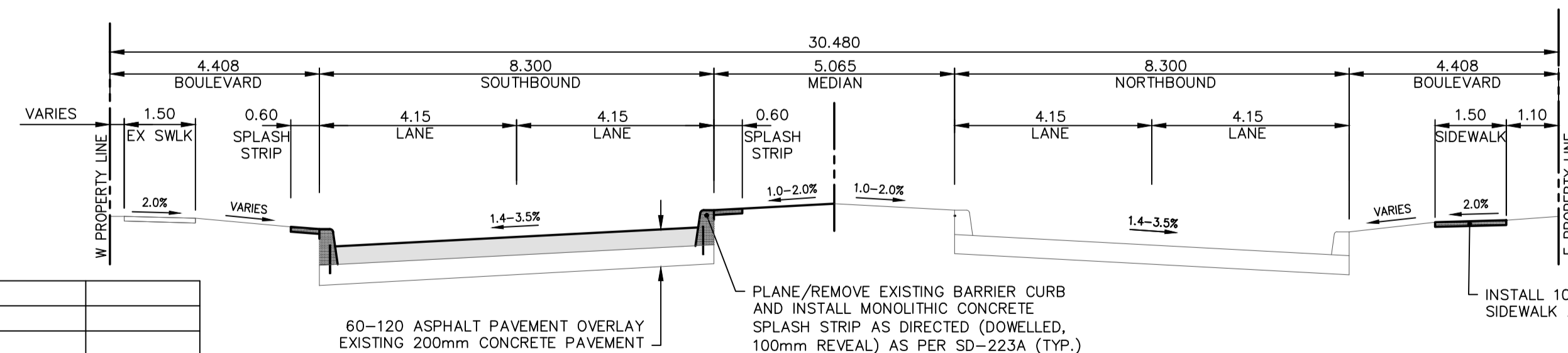


MAZENOD ROAD (SOUTHBOUND)

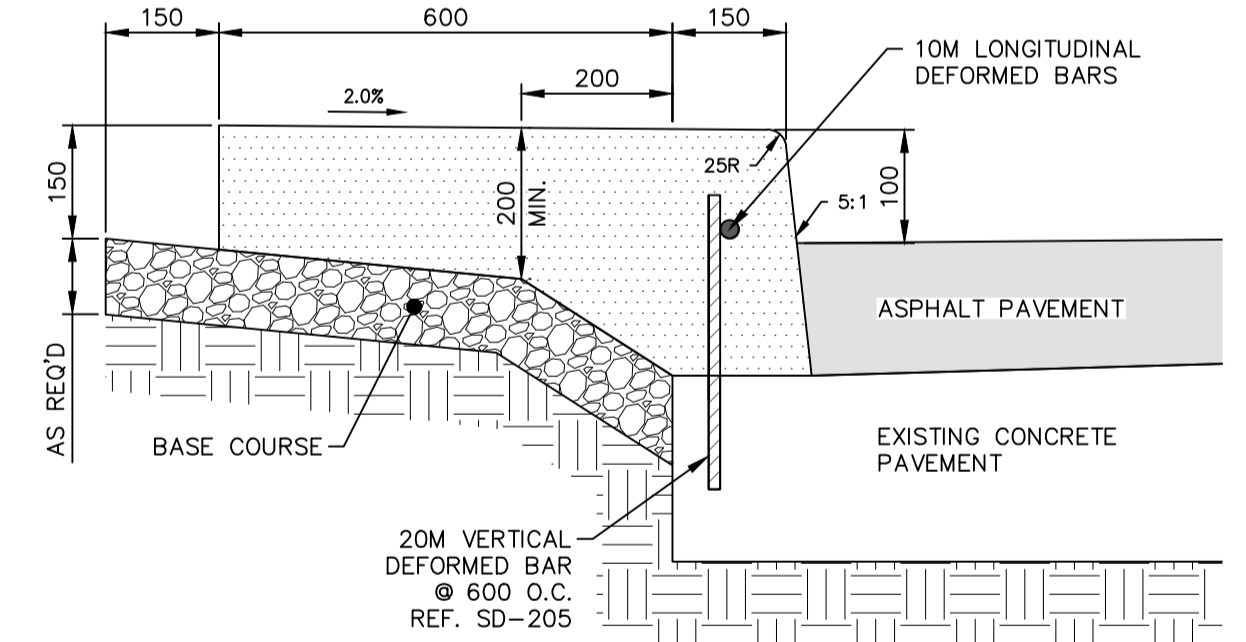


FOR CONTINUATION SEE DWG 221-07905-00-10

- NOTES:**
1. ALL WORK AND MATERIALS TO BE IN ACCORDANCE WITH THE LATEST REVISION OF THE CITY OF WINNIPEG STANDARD CONSTRUCTION SPECIFICATIONS.
 2. CONTRACTOR TO CONFIRM THE LOCATION OF ALL UTILITIES/SERVICES IN THE FIELD PRIOR TO CONSTRUCTION.
 3. ALL ROADWAY DIMENSIONS SHOWN ARE TO BACK OF CURB.
 4. EXISTING ASPHALT TO BE PLANED AS SHOWN OR AS DIRECTED BY CONTRACT ADMINISTRATOR.
 5. 200mm FULL DEPTH JOINT AND SLAB PATCH RENEWALS SHOWN ARE A REPRESENTATION OF THE APPROXIMATE TENDER QUANTITIES FOR THE WORK; THE JOINT AND SLAB PATCHES WILL BE RENEWED AS DIRECTED BY THE CONTRACT ADMINISTRATOR.
 6. PLANE/REMOVE EXISTING CURB AND INSTALL MONOLITHIC CONCRETE SPLASH STRIP (100mm REVEAL) AS PER SD-223A AND AS DIRECTED BY CONTRACT ADMINISTRATOR.
 7. MODIFIED BARRIER CURB TO BE CONSTRUCTED AT ALL INTERSECTION RADI AND ALLEY RADI.
 8. PAVEMENT REPAIR FABRIC TO BE INSTALLED AS SHOWN OR AS DIRECTED BY THE CONTRACT ADMINISTRATOR.
 9. CONTRACTORS TO TAKE PRECAUTIONARY STEPS TO PROTECT EXISTING TREES WITHIN THE LIMITS OF CONSTRUCTION FROM DAMAGE FROM CONSTRUCTION ACTIVITIES AS OUTLINED IN THE SPECIFICATIONS.
 10. LAMP STANDARDS, HYDRO POLES, AND ANCHORS THAT REQUIRE TEMPORARY SUPPORT, REMOVAL OR REPLACEMENT, TO BE DONE SO AT THE EXPENSE OF THE CONTRACTOR AS NECESSARY.
 11. ALL BOULEVARDS TO BE SODDED UNLESS OTHERWISE NOTED.
 12. ADJUST ALL WATER VALVES, HYDRANTS, MANHOLES, AND CATCH BASINS IN WORK AREA TO GRADE.



TYPICAL CROSS-SECTION
SCALE 1:100



DETAIL 'A' - MONOLITHIC CONCRETE SPLASH STRIP (SD-223A)

METRIC

WHOLE NUMBERS INDICATE MILLIMETRES
DECIMALIZED NUMBERS INDICATE METRES

EXISTING	LEGEND-PLAN	PROPOSED	EXISTING	LEGEND-PLAN	PROPOSED	EXISTING	LEGEND-PROFILE	PROPOSED
---	WATER MAIN	---	⊕	IRON BAR	---	---		
---	LAND DRAINAGE SEWER	---	⊕	HYDRO POLE & LIGHT STANDARD	---	---		
---	WASTE WATER SEWER	---	⊕	LIGHT STANDARD OR TRAFFIC SIGNAL	---	---		
---	HYDRO	---	⊕	HYDRO POLE	---	---		
---	Bell/MTS/SHAW/TELUS	---	⊕	CURB RAMP	---	---		
---	GAS	---	⊕	DETECTABLE WARNING SURFACE TILE	---	---		
---	SIGNALS	---	⊕	EDGE OF SIDEWALK	---	---		
○	MANHOLE	●	---	FENCE	---	---		
□	CATCH BASIN	■	---	PROPERTY LINE	---	---		
△	CURB INLET	▽	---	EDGE OF ASPHALT	---	---		
⊕	UTILITIES ADJUSTED	⊕	---	EDGE OF CONCRETE	---	---		
⊕	PLUG	⊕	---	MODIFIED BARRIER CURB	---	---		
⊕	HYDRANT	⊕	---	BARRIER CURB	---	---		
⊕	VALVE	⊕	---	CONCRETE SPLASH STRIP	---	---		
⊕	CURB STOP	⊕	---	CONCRETE SIDEWALK	---	---		
---	GROUND GRADE	---	---	CONCRETE SLAB	---	---		
---	PAVEMENT GRADE	---	---	ASPHALT	---	---		
---	ANCHOR	---	---	MILLED SURFACE	---	---		
---	CIVIC ADDRESS	---	---	PAVEMENT REPAIR FABRIC	---	---		
---	EXISTING	---	---		---	---		

LOCATIONS APPROVED UNDERGROUND STRUCTURES

SIGNED BY: _____ DATE: _____
SUPV UG STRUCTURES

LOCATION OF UNDERGROUND STRUCTURES AS SHOWN ARE BASED ON THE BEST INFORMATION AVAILABLE BUT NO GUARANTEE IS GIVEN THAT ALL EXISTING UTILITIES ARE SHOWN OR THAT THE GIVEN LOCATIONS ARE EXACT CONFIRMATION OF EXISTENCE AND EXACT LOCATION OF ALL SERVICES MUST BE OBTAINED FROM THE INDIVIDUAL UTILITIES BEFORE PROCEEDING

NO.	ISSUED FOR TENDER	DATE	BY
1	ISSUED FOR TENDER	2023/09/01	RB
NO.	REVISIONS	DATE	BY

wsp

DESIGNED BY: **KG** CHECKED BY: **SS**
DRAWN BY: **KC/WJD** APPROVED BY: **SM**

HOR. SCALE: 1:250
VERTICAL: 1:10

RELEASED FOR CONSTRUCTION

DATE: **SEPTEMBER 2022**

WSP Canada Inc.
1600 Buffalo Place
Winnipeg, MB R3T 6B8
t. 204.477.6650
f. 204.474.2864
www.wsp.com

ENGINEER'S SEAL
S.C. MINY
2023-03-31

CONSULTANT ACAD DWG. NO.
221-07905-00-11

FOR TENDER PURPOSES ONLY
NOT FOR CONSTRUCTION

ENGINEERS GEOSCIENTISTS MANITOBA
Certificate of Authorization
WSP Canada Inc.
No. 5750

THE CITY OF WINNIPEG
PUBLIC WORKS DEPARTMENT
ENGINEERING SERVICES DIVISION

2023 INDUSTRIAL STREET RENEWALS
MAZENOD ROAD (SOUTHBOUND)

MAJOR REHABILITATION
STA. 2+00 TO STA. 2+65.70

CITY DRAWING NUMBER
SHEET 11 OF 15

TENDER NO.
241-2023