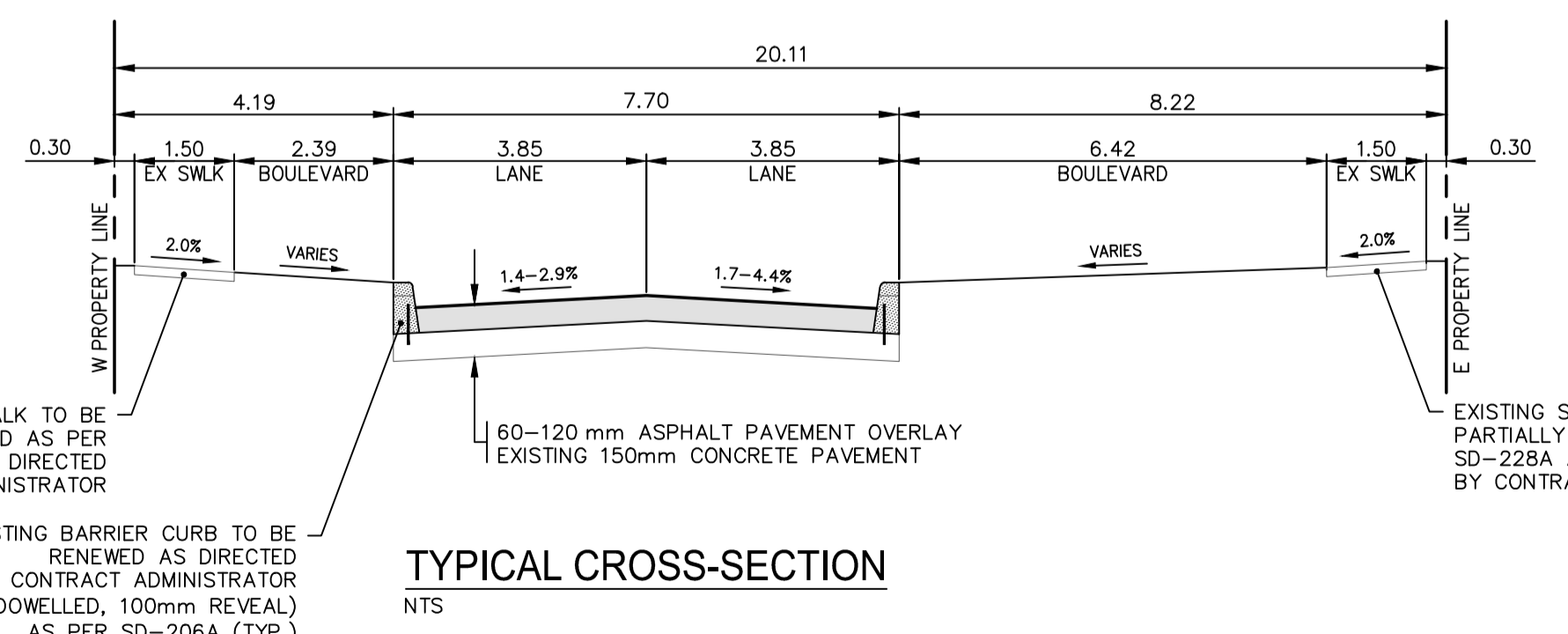


- NOTES:**
1. ALL WORK AND MATERIALS TO BE IN ACCORDANCE WITH THE LATEST REVISION OF THE CITY OF WINNIPEG STANDARD CONSTRUCTION SPECIFICATIONS.
  2. CONTRACTOR TO CONFIRM THE LOCATION OF ALL UTILITIES/SERVICES IN THE FIELD PRIOR TO CONSTRUCTION.
  3. ALL ROADWAY DIMENSIONS SHOWN ARE TO BACK OF CURB.
  4. EXISTING ASPHALT TO BE PLANED AS SHOWN OR AS DIRECTED BY CONTRACT ADMINISTRATOR.
  5. 150mm PARTIAL CONCRETE SLAB PATCHES SHOWN ARE ONLY A REPRESENTATIVE APPROXIMATION OF THE TENDERED QUANTITIES.
  6. EXISTING SIDEWALK TO BE RENEWED AS PER SD-228A AND AS DIRECTED BY CONTRACT ADMINISTRATOR.
  7. PLANE/RMOVE EXISTING CURB AND CONSTRUCT BARRIER CURB (100mm REVEAL) AS PER SD-206A AND AS DIRECTED BY CONTRACT ADMINISTRATOR.
  8. ALL PRIVATE WALKWAYS TO BE ADJUSTED TO NEW SIDEWALK OR TOP OF CURB ELEVATION, AS DIRECTED BY THE CONTRACT ADMINISTRATOR.
  9. EXISTING LIP CURB AT PRIVATE APPROACHES TO BE RENEWED AS DIRECTED BY CONTRACT ADMINISTRATOR.
  10. PAVEMENT REPAIR FABRIC TO BE INSTALLED AS SHOWN OR AS DIRECTED BY CONTRACT ADMINISTRATOR.
  11. MODIFIED BARRIER CURB TO BE CONSTRUCTED AT ALL INTERSECTION RADII AND ALLEY RADII.
  12. CONTRACTORS TO TAKE PRECAUTIONARY STEPS TO PROTECT EXISTING TREES WITHIN THE LIMITS OF CONSTRUCTION FROM DAMAGE FROM CONSTRUCTION ACTIVITIES AS OUTLINED IN THE SPECIFICATIONS.
  13. LAMP STANDARDS, HYDRO POLES, AND ANCHORS THAT REQUIRE TEMPORARY SUPPORT, REMOVAL OR REPLACEMENT, TO BE DONE SO AT THE EXPENSE OF THE CONTRACTOR AS NECESSARY.
  14. ALL BOULEVARDS TO BE SODDED UNLESS OTHERWISE NOTED.
  15. ADJUST ALL WATER VALVES, HYDRANTS, MANHOLES, AND CATCH BASINS IN WORK AREA TO GRADE.



EXISTING	LEGEND-PLAN	PROPOSED	EXISTING	LEGEND-PROFILE	PROPOSED
---	WATER MAIN	---	---	---	ANCHOR
---	LAND DRAINAGE SEWER	---	---	---	HYDRO POLE & LIGHT STANDARD
---	WASTE WATER SEWER	---	---	---	LIGHT STANDARD OR TRAFFIC SIGNAL
---	HYDRO	---	---	---	CURB RAMP
---	BELL/MTS	---	---	---	DETECTABLE WARNING SURFACE TILE
---	GAS	---	---	---	EDGE OF SIDEWALK/ASPHALT PATH
---	SIGNALS	---	---	---	FENCE
○	MANHOLE	●	---	---	PROPERTY LINE
□	CATCH BASIN	■	---	---	EDGE OF ASPHALT
△	CURB INLET	▽	---	---	EDGE OF CONCRETE
---	UTILITIES ADJUSTED	△ □ ○	---	---	MODIFIED BARRIER CURB
⌋	PLUG	⌋	---	---	BARRIER CURB
⊕	HYDRANT	⊕	---	---	BARRIER CURB AND GUTTER
⊙	VALVE	⊙	---	---	CONC SIDEWALK
⌋	CURB STOP	⌋	---	---	CONCRETE SLAB
(231.00)	PAVEMENT GRADE	(231.000)	---	---	ASPHALT
#111	CIVIC ADDRESS		---	---	GRANULAR SURFACE
⊕	IRON BAR		---	---	MILLED SURFACE
⊕	HYDRO POLE		---	---	PAVEMENT REPAIR FABRIC
---	EXISTING	---	---	---	---

EXISTING SIDEWALK TO BE PARTIALLY RENEWED AS PER SD-228A AND AS DIRECTED BY CONTRACT ADMINISTRATOR

EXISTING BARRIER CURB TO BE RENEWED AS DIRECTED BY CONTRACT ADMINISTRATOR (DOWELLED, 100mm REVEAL) AS PER SD-206A (TYP.)

EXISTING SIDEWALK TO BE PARTIALLY RENEWED AS PER SD-228A AND AS DIRECTED BY CONTRACT ADMINISTRATOR

EXISTING SIDEWALK TO BE PARTIALLY RENEWED AS PER SD-228A AND AS DIRECTED BY CONTRACT ADMINISTRATOR

NO.	ISSUED FOR TENDER	DATE	BY
7			
6			
5			
4			
3			
2			
1			
0	ISSUED FOR TENDER	2023/02/14	R.H.
NO.	REVISIONS	DATE	BY

WSP Canada Inc.  
1600 Buffalo Place  
Winnipeg, MB R3T 6B8  
t. 204.477.6650  
f. 204.474.2864  
www.wsp.com

**FOR TENDER PURPOSES ONLY**  
**NOT FOR CONSTRUCTION**

**THE CITY OF WINNIPEG**  
PUBLIC WORKS DEPARTMENT  
ENGINEERING SERVICES DIVISION

**2023 LOCAL STREET RENEWALS**  
WINONA STREET  
MINOR REHABILITATION  
STA. 2+40 TO STA. 3+57.92

**WSP**  
DESIGNED BY: R.H.  
CHECKED BY: R.H.  
DRAWN BY: R.H./N.T.  
APPROVED BY: V.M.

**ENGINEERS**  
Geoscientists  
Manitoba  
Certificate of Authorization  
WSP Canada Inc.  
No. 5750

CITY DRAWING NUMBER  
SHEET 14 OF 15  
TENDER NO. 908-2022

Feb 14, 2023 - 3:10pm  
P:\2022\221-07897-00 - 2023 Local Street Renewal\23-R-05\14.0 Tech\_Prof\_Serv\14.11 Hwy\_Bridgs\14.11.06\_Dwg\03\_Work\_Dwg\221-07897-00\221-07897-00-45-R0