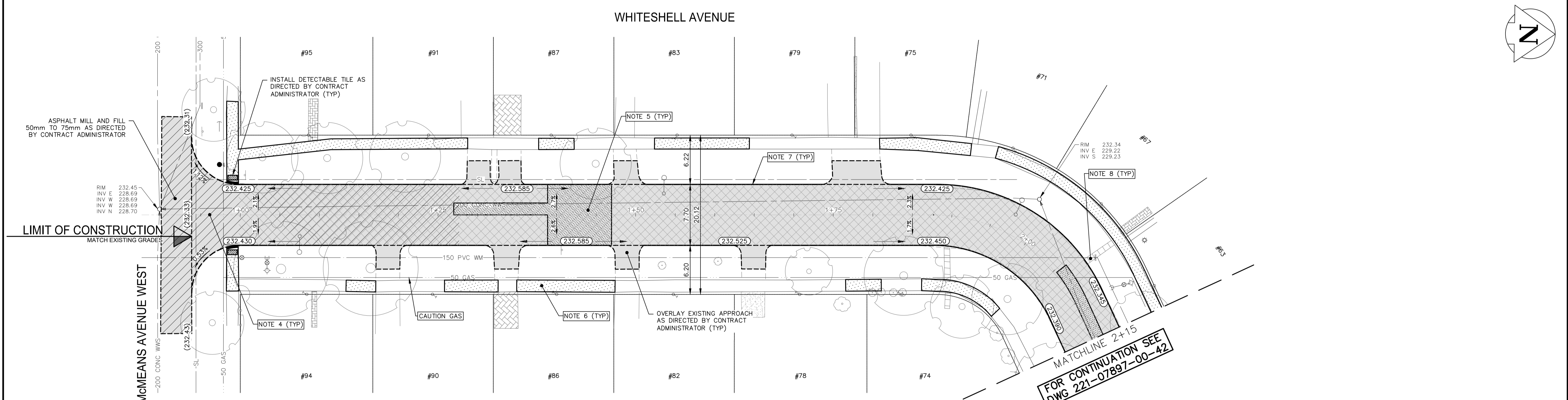
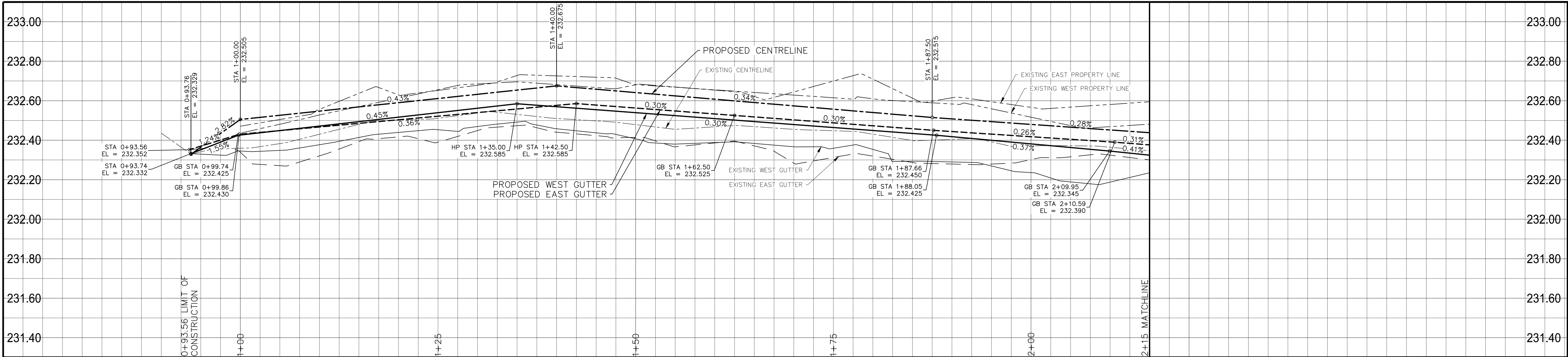
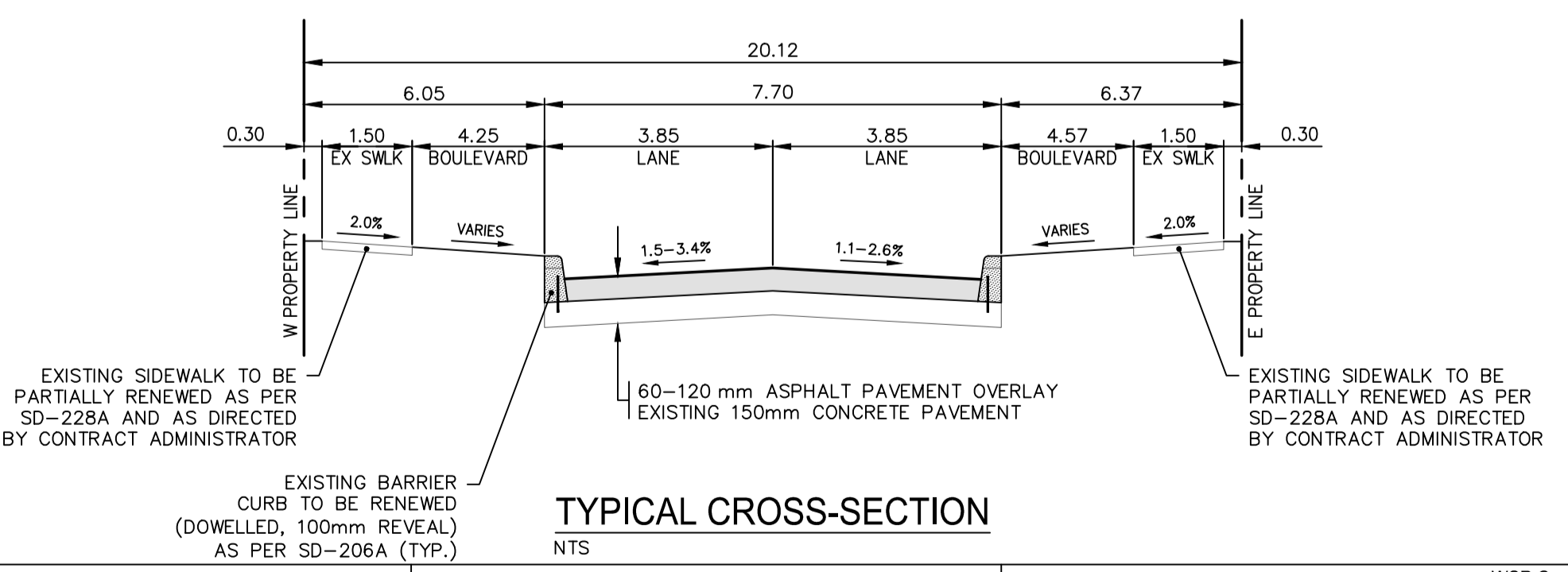


Feb 14, 2023 - 3:49pm P:\2022\221-07897-00 - 2023 Local Street Renewal 23-R-05\1.0 Tech_Prof_Serv\14.11 Hwy_Bridgs\14.11.06_Dwg\03_Work_Dwg\221-07897-00_Whiteshell_Ave_Plan_Profile.dwg - tab: 908 - 2022_Drawing_221-07897-00-41-R0



- NOTES:**
1. ALL WORK AND MATERIALS TO BE IN ACCORDANCE WITH THE LATEST REVISION OF THE CITY OF WINNIPEG STANDARD CONSTRUCTION SPECIFICATIONS.
 2. CONTRACTOR TO CONFIRM THE LOCATION OF ALL UTILITIES/SERVICES IN THE FIELD PRIOR TO CONSTRUCTION.
 3. ALL ROADWAY DIMENSIONS SHOWN ARE TO BACK OF CURB.
 4. EXISTING ASPHALT TO BE PLANED AS SHOWN OR AS DIRECTED BY CONTRACT ADMINISTRATOR
 5. 150mm PARTIAL CONCRETE SLAB PATCHES SHOWN ARE ONLY A REPRESENTATIVE APPROXIMATION OF THE TENDERED QUANTITIES.
 6. EXISTING SIDEWALK TO BE RENEWED AS PER SD-228A AND AS DIRECTED BY CONTRACT ADMINISTRATOR.
 7. PLANE/REMOVE EXISTING CURB AND CONSTRUCT BARRIER CURB (100mm REVEAL) AS PER SD-206A AND AS DIRECTED BY CONTRACT ADMINISTRATOR.
 8. ALL PRIVATE WALKWAYS TO BE ADJUSTED TO NEW SIDEWALK OR TOP OF CURB ELEVATION, AS DIRECTED BY THE CONTRACT ADMINISTRATOR.
 9. EXISTING LIP CURB AT PRIVATE APPROACHES TO BE RENEWED AS DIRECTED BY CONTRACT ADMINISTRATOR.
 10. PAVEMENT REPAIR FABRIC TO BE INSTALLED AS SHOWN OR AS DIRECTED BY CONTRACT ADMINISTRATOR.
 11. MODIFIED BARRIER CURB TO BE CONSTRUCTED AT ALL INTERSECTION RADI AND ALLEY RADI
 12. CONTRACTORS TO TAKE PRECAUTIONARY STEPS TO PROTECT EXISTING TREES WITHIN THE LIMITS OF CONSTRUCTION FROM DAMAGE FROM CONSTRUCTION ACTIVITIES AS OUTLINED IN THE SPECIFICATIONS.
 13. LAMP STANDARDS, HYDRO POLES, AND ANCHORS THAT REQUIRE TEMPORARY SUPPORT, REMOVAL OR REPLACEMENT, TO BE DONE SO AT THE EXPENSE OF THE CONTRACTOR AS NECESSARY.
 14. ALL BOULEVARDS TO BE SODDED UNLESS OTHERWISE NOTED.
 15. ADJUST ALL WATER VALVES, HYDRANTS, MANHOLES, AND CATCH BASINS IN WORK AREA TO GRADE.

EXISTING	LEGEND-PLAN	PROPOSED	EXISTING	LEGEND-PROFILE	PROPOSED
---	WATER MAIN	---	---	---	---
---	LAND DRAINAGE SEWER	---	---	---	---
---	WASTE WATER SEWER	---	---	---	---
---	HYDRO	---	---	---	---
---	BELL/MTS	---	---	---	---
---	GAS	---	---	---	---
---	SIGNALS	---	---	---	---
---	MANHOLE	---	---	---	---
---	CATCH BASIN	---	---	---	---
---	CURB INLET	---	---	---	---
---	UTILITIES ADJUSTED	---	---	---	---
---	PLUG	---	---	---	---
---	HYDRANT	---	---	---	---
---	VALVE	---	---	---	---
---	CURB STOP	---	---	---	---
---	GROUND GRADE	---	---	---	---
---	PAVEMENT GRADE	---	---	---	---
---	ANCHOR	---	---	---	---
---	#111 CIVIC ADDRESS	---	---	---	---
---	EXISTING LEGEND-PLAN	---	---	---	---
---	PROPOSED LEGEND-PLAN	---	---	---	---
---	EXISTING LEGEND-PROFILE	---	---	---	---
---	PROPOSED LEGEND-PROFILE	---	---	---	---



LOCATIONS APPROVED UNDERGROUND STRUCTURES		G.A.M. ELEV.	
SIGNED BY:	DATE:	7	
SUPV UG STRUCTURES		6	
		5	
		4	
		3	
		2	
		1	
		0	
		NO.	REVISIONS
		DATE	BY

wsp

DESIGNED BY: R.H.
DRAWN BY: N.T.

HOR. SCALE: 1:250
VERTICAL: 1:10

DATE: SEPTEMBER 2022

WSP Canada Inc.
1600 Buffalo Place
Winnipeg, MB R3T 6B8
t. 204.477.6650
f. 204.474.2864
www.wsp.com

ENGINEER'S SEAL

2023-02-14

CONSULTANT ACAD DWG. NO.
221-07897-00-41

THE CITY OF WINNIPEG
PUBLIC WORKS DEPARTMENT
ENGINEERING SERVICES DIVISION

2023 LOCAL STREET RENEWALS

WHITESHELL AVENUE

MAJOR REHABILITATION
STA. 0+93.84 TO STA. 2+15

METRIC
WHOLE NUMBERS INDICATE MILLIMETRES
DECIMALIZED NUMBERS INDICATE METRES

FOR TENDER PURPOSES ONLY
NOT FOR CONSTRUCTION

ENGINEERS GEOSCIENTISTS MANITOBA
Certificate of Authorization
WSP Canada Inc.
No. 5750

CITY DRAWING NUMBER
SHEET 10 OF 15

TENDER NO.
908-2022