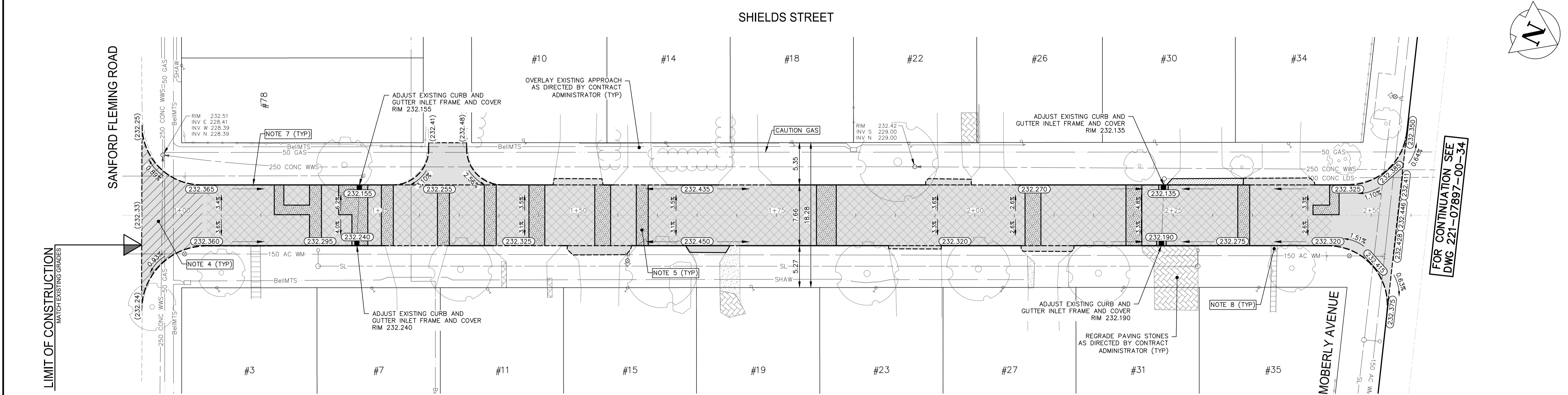
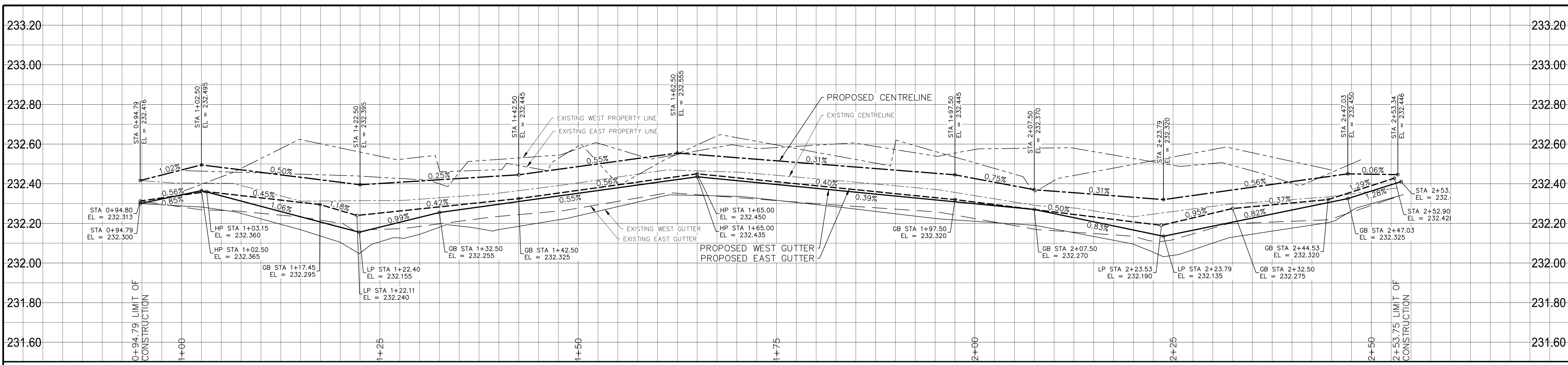
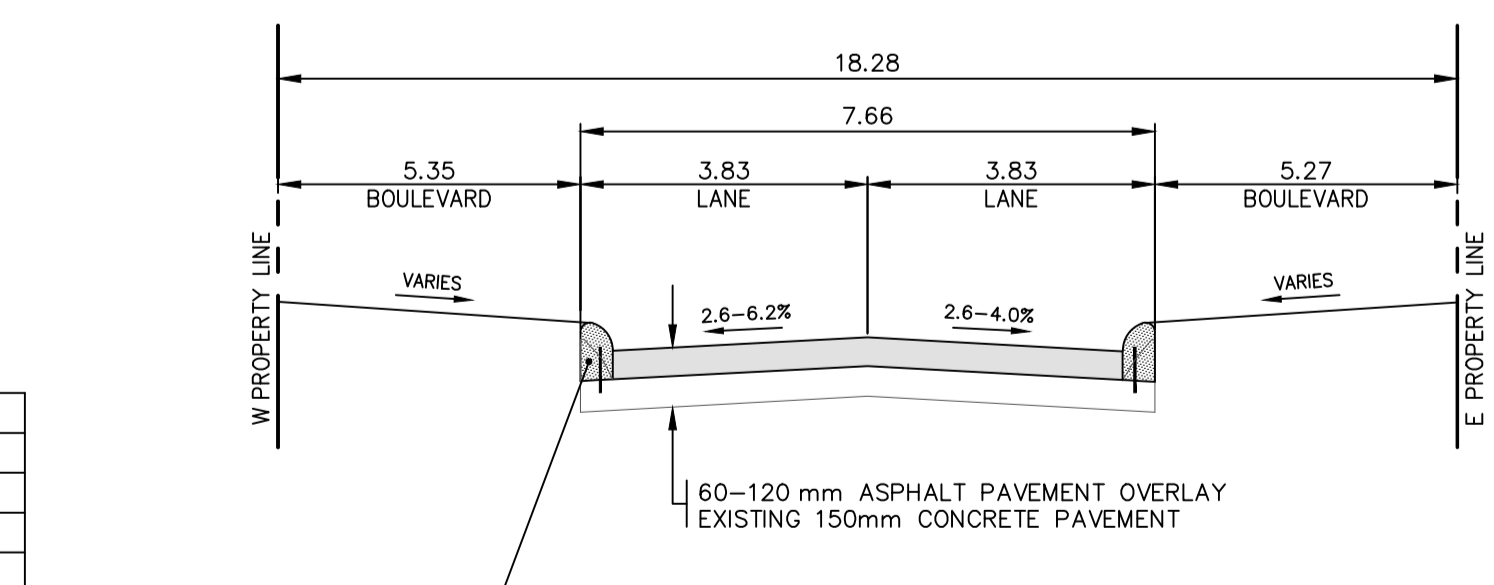


Feb 14, 2023 - 4:22pm  
 P:\2022\221-07897-00 - 2023 Local Street Renewal\23-R-05\14.0 Tech\_Prof\_Serv\14.11 Hwy\_Bridgs\14.11.06\_Dwg\03\_Work\_Dwg\221-07897-00-Shields\_St\_Plan&Profile.dwg - tab: 908 - 2022\_Drawing\_221-07897-00-40-R0



- NOTES:**
1. ALL WORK AND MATERIALS TO BE IN ACCORDANCE WITH THE LATEST REVISION OF THE CITY OF WINNIPEG STANDARD CONSTRUCTION SPECIFICATIONS.
  2. CONTRACTOR TO CONFIRM THE LOCATION OF ALL UTILITIES/SERVICES IN THE FIELD PRIOR TO CONSTRUCTION.
  3. ALL ROADWAY DIMENSIONS SHOWN ARE TO BACK OF CURB.
  4. EXISTING ASPHALT TO BE PLANED AS SHOWN OR AS DIRECTED BY CONTRACT ADMINISTRATOR.
  5. 150mm PARTIAL CONCRETE SLAB PATCHES SHOWN ARE ONLY A REPRESENTATIVE APPROXIMATION OF THE TENDERED QUANTITIES.
  6. EXISTING SIDEWALK TO BE RENEWED AS PER SD-228A AND AS DIRECTED BY CONTRACT ADMINISTRATOR.
  7. PLANE/REMOVE EXISTING CURB AND CONSTRUCT MODIFIED LIP CURB AS PER SD-202C AND AS DIRECTED BY CONTRACT ADMINISTRATOR.
  8. ALL PRIVATE WALKWAYS TO BE ADJUSTED TO NEW SIDEWALK OR TOP OF CURB ELEVATION, AS DIRECTED BY THE CONTRACT ADMINISTRATOR.
  9. EXISTING LIP CURB AT PRIVATE APPROACHES TO BE RENEWED AS DIRECTED BY CONTRACT ADMINISTRATOR.
  10. PAVEMENT REPAIR FABRIC TO BE INSTALLED AS SHOWN OR AS DIRECTED BY CONTRACT ADMINISTRATOR.
  11. MODIFIED BARRIER CURB TO BE CONSTRUCTED AT ALL INTERSECTION RADII AND ALLEY RADII.
  12. CONTRACTORS TO TAKE PRECAUTIONARY STEPS TO PROTECT EXISTING TREES WITHIN THE LIMITS OF CONSTRUCTION FROM DAMAGE FROM CONSTRUCTION ACTIVITIES AS OUTLINED IN THE SPECIFICATIONS.
  13. LAMP STANDARDS, HYDRO POLES, AND ANCHORS THAT REQUIRE TEMPORARY SUPPORT, REMOVAL OR REPLACEMENT, TO BE DONE SO AT THE EXPENSE OF THE CONTRACTOR AS NECESSARY.
  14. ALL BOULEVARDS TO BE SODDED UNLESS OTHERWISE NOTED.
  15. ADJUST ALL WATER VALVES, HYDRANTS, MANHOLES, AND CATCH BASINS IN WORK AREA TO GRADE.

EXISTING	LEGEND-PLAN	PROPOSED	EXISTING	LEGEND-PROFILE	PROPOSED
---	WATER MAIN	---	---	---	---
---	LAND DRAINAGE SEWER	---	---	---	---
---	WASTE WATER SEWER	---	---	---	---
---	HYDRO	---	---	---	---
---	BELL/MTS	---	---	---	---
---	GAS	---	---	---	---
---	SIGNALS	---	---	---	---
○	MANHOLE	○	---	---	---
□	CATCH BASIN	□	---	---	---
△	CURB INLET	△	---	---	---
---	UTILITIES ADJUSTED	---	---	---	---
⌋	PLUG	⌋	---	---	---
⊕	HYDRANT	⊕	---	---	---
⊕	VALVE	⊕	---	---	---
---	CURB STOP	---	---	---	---
---	GROUND GRADE	---	---	---	---
---	PAVEMENT GRADE	---	---	---	---
---	#11 CIVIC ADDRESS	---	---	---	---
---	ANCHOR	---	---	---	---
---	CONC SIDEWALK	---	---	---	---
---	CONCRETE SLAB	---	---	---	---
---	ASPHALT	---	---	---	---
---	MILLED SURFACE	---	---	---	---
---	PAVEMENT REPAIR FABRIC	---	---	---	---



PLANE/REMOVE EXISTING LIP CURB AND INSTALL MODIFIED LIP CURB (DOWELLED, 100mm REVEAL) AS PER SD-202C (TYP.)

**LOCATIONS APPROVED UNDERGROUND STRUCTURES**

DESIGNED BY: R.H. CHECKED BY: R.H.  
 DRAWN BY: N.T. APPROVED BY: V.M.

HOR. SCALE: 1:250  
 VERTICAL: 1:10

ISSUED FOR TENDER: 2023/02/14  
 DATE: SEPTEMBER 2022

**wsp**

WSP Canada Inc.  
 1600 Buffalo Place  
 Winnipeg, MB R3T 6B8  
 t. 204.477.6650  
 f. 204.474.2864  
 www.wsp.com

ENGINEER'S SEAL: S.C. MINY (Professional Engineer, Manitoba)

CONSULTANT ACAD DWG. NO.: 221-07897-00-40

**FOR TENDER PURPOSES ONLY**  
**NOT FOR CONSTRUCTION**

**THE CITY OF WINNIPEG**  
 PUBLIC WORKS DEPARTMENT  
 ENGINEERING SERVICES DIVISION

2023 LOCAL STREET RENEWALS  
 SHIELDS STREET  
 MAJOR REHABILITATION  
 STA. 0+94.98 TO STA. 2+53.33

CITY DRAWING NUMBER: SHEET 09 OF 15  
 TENDER NO.: 908-2022

**METRIC**  
 WHOLE NUMBERS INDICATE MILLIMETRES  
 DECIMALIZED NUMBERS INDICATE METRES

**ENGINEERS GEOSCIENTISTS MANITOBA**  
 Certificate of Authorization  
 WSP Canada Inc.  
 No. 5750