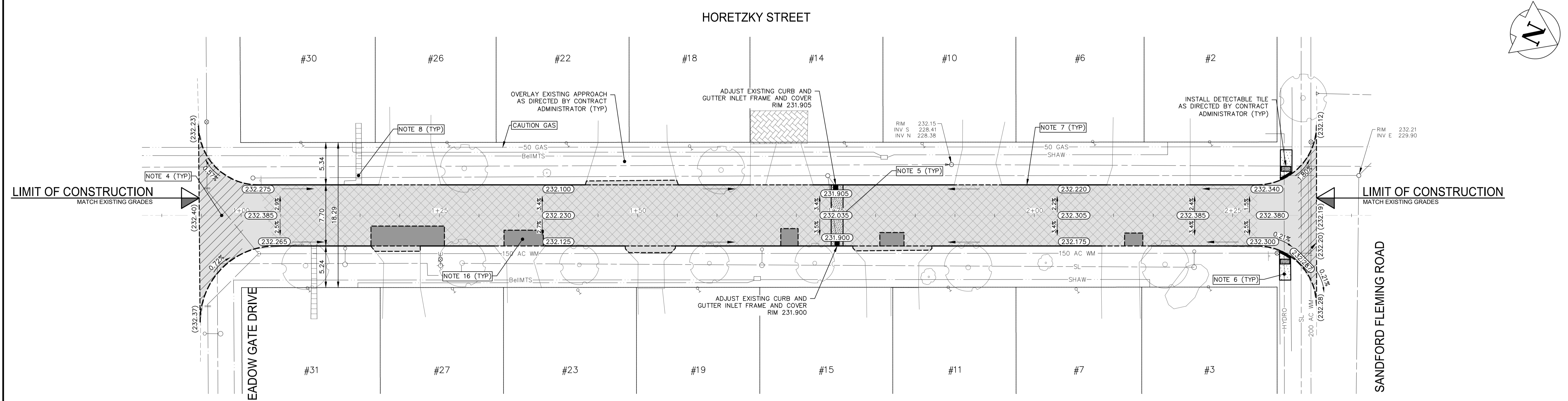
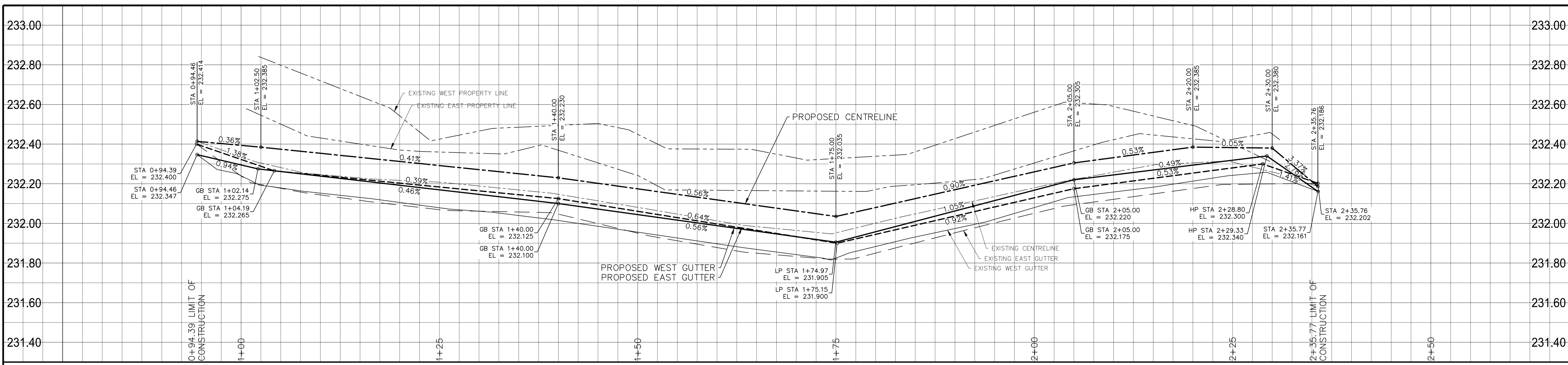
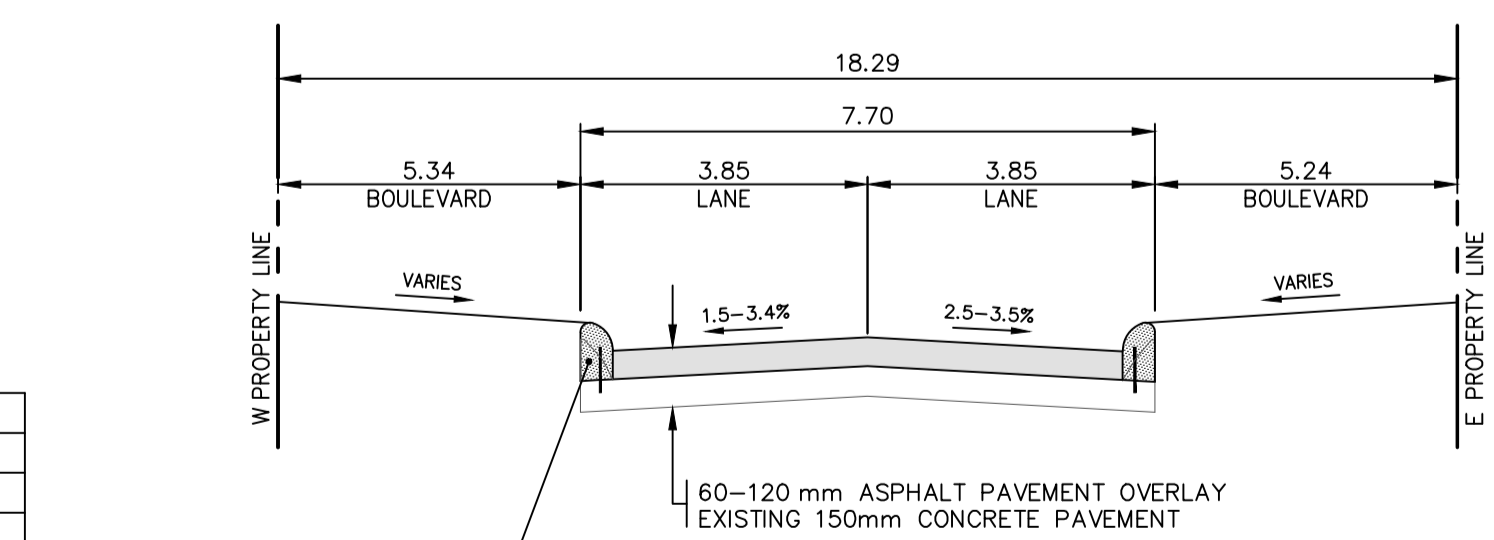


Feb 14, 2023 - 4:35pm
 P:\2022\221-07897-00 - 2023 Local Street Renewal\23-R-05\14.0 Tech_Prof_Srv\14.11 Hwy_Bridgs\14.11.06_Dwg\03_Work_Dwg\221-07897-00_Horetzky_St_Plan_Profile.dwg - tab: 908-2022_Drawing_221-07897-00-33-R00



- NOTES:**
- ALL WORK AND MATERIALS TO BE IN ACCORDANCE WITH THE LATEST REVISION OF THE CITY OF WINNIPEG STANDARD CONSTRUCTION SPECIFICATIONS.
 - CONTRACTOR TO CONFIRM THE LOCATION OF ALL UTILITIES/SERVICES IN THE FIELD PRIOR TO CONSTRUCTION.
 - ALL ROADWAY DIMENSIONS SHOWN ARE TO BACK OF CURB.
 - EXISTING ASPHALT TO BE PLANED AS SHOWN OR AS DIRECTED BY CONTRACT ADMINISTRATOR.
 - 150mm PARTIAL CONCRETE SLAB PATCHES SHOWN ARE ONLY A REPRESENTATIVE APPROXIMATION OF THE TENDERED QUANTITIES.
 - EXISTING SIDEWALK TO BE RENEWED AS PER SD-228A AND AS DIRECTED BY CONTRACT ADMINISTRATOR.
 - PLANE/REMOVE EXISTING CURB AND CONSTRUCT MODIFIED LIP CURB (100mm REVEAL) AS PER SD-202C AND AS DIRECTED BY CONTRACT ADMINISTRATOR.
 - ALL PRIVATE WALKWAYS TO BE ADJUSTED TO NEW SIDEWALK OR TOP OF CURB ELEVATION, AS DIRECTED BY THE CONTRACT ADMINISTRATOR.
 - EXISTING LIP CURB AT PRIVATE APPROACHES TO BE RENEWED AS DIRECTED BY CONTRACT ADMINISTRATOR.
 - PAVEMENT REPAIR FABRIC TO BE INSTALLED AS SHOWN OR AS DIRECTED BY CONTRACT ADMINISTRATOR.
 - MODIFIED BARRIER CURB TO BE CONSTRUCTED AT ALL INTERSECTION RADII AND ALLEY RADII.
 - CONTRACTORS TO TAKE PRECAUTIONARY STEPS TO PROTECT EXISTING TREES WITHIN THE LIMITS OF CONSTRUCTION FROM DAMAGE FROM CONSTRUCTION ACTIVITIES AS OUTLINED IN THE SPECIFICATIONS.
 - LAMP STANDARDS, HYDRO POLES, AND ANCHORS THAT REQUIRE TEMPORARY SUPPORT, REMOVAL OR REPLACEMENT, TO BE DONE SO AT THE EXPENSE OF THE CONTRACTOR AS NECESSARY.
 - ALL BOULEVARDS TO BE SODDED UNLESS OTHERWISE NOTED.
 - ADJUST ALL WATER VALVES, HYDRANTS, MANHOLES, AND CATCH BASINS IN WORK AREA TO GRADE.
 - PARTIAL DEPTH ASPHALT PATCHES TO BE COMPLETED AS DIRECTED BY CONTRACT ADMINISTRATOR.



EXISTING	LEGEND-PLAN	PROPOSED	EXISTING	LEGEND-PLAN	PROPOSED	EXISTING	LEGEND-PROFILE	PROPOSED
---	WATER MAIN	---	---	IRON BAR	---	---		
---	LAND DRAINAGE SEWER	---	---	HYDRO POLE & LIGHT STANDARD	---	---		
---	WASTE WATER SEWER	---	---	LIGHT STANDARD OR TRAFFIC SIGNAL	---	---		
---	HYDRO	---	---	HYDRO POLE	---	---		
---	BELL/MTS	---	---	CURB RAMP	---	---		
---	GAS	---	---	DETECTABLE WARNING SURFACE TILE	---	---		
---	SIGNALS	---	---	EDGE OF SIDEWALK	---	---		
---	MANHOLE	---	---	FENCE	---	---		
---	CATCH BASIN	---	---	PROPERTY LINE	---	---		
---	CURB INLET	---	---	EDGE OF ASPHALT	---	---		
---	UTILITIES ADJUSTED	---	---	EDGE OF CONCRETE	---	---		
---	PLUG	---	---	MODIFIED BARRIER CURB	---	---		
---	HYDRANT	---	---	BARRIER CURB	---	---		
---	VALVE	---	---	BARRIER CURB AND GUTTER	---	---		
---	CURB STOP	---	---	CONC SIDEWALK	---	---		
---	GROUND GRADE	---	---	CONCRETE SLAB	---	---		
---	PAVEMENT GRADE	---	---	ASPHALT	---	---		
---	ANCHOR	---	---	MILLED SURFACE	---	---		
---	#111 CIVIC ADDRESS	---	---	PAVEMENT REPAIR FABRIC	---	---		
---	EXISTING LEGEND-PLAN	---	---	PROPOSED LEGEND-PLAN	---	---		

PLANE/REMOVE EXISTING LIP CURB AND INSTALL MODIFIED LIP CURB (DOWELLED, 100mm REVEAL) AS PER SD-202C (TYP.)

LOCATIONS APPROVED UNDERGROUND STRUCTURES

SIGNED BY: _____ DATE: _____

NO. REVISIONS: _____ DATE: _____ BY: _____

wsp

DESIGNED BY: R.H. CHECKED BY: R.H.
 DRAWN BY: N.T. APPROVED BY: V.M.

HOR. SCALE: 1:250
 VERTICAL: 1:10

ISSUED FOR TENDER: 2023/02/14
 DATE: SEPTEMBER 2022

WSP Canada Inc.
 1600 Buffalo Place
 Winnipeg, MB R3T 6B8
 t. 204.477.6650
 f. 204.474.2864
 www.wsp.com

THE CITY OF WINNIPEG
 PUBLIC WORKS DEPARTMENT
 ENGINEERING SERVICES DIVISION

2023 LOCAL STREET RENEWALS
 HORETZKY STREET
 MAJOR REHABILITATION
 STA. 0+94.73 TO STA. 2+35.59

FOR TENDER PURPOSES ONLY
 NOT FOR CONSTRUCTION

ENGINEERS
 GEOSCIENTISTS
 MANITOBA
 Certificate of Authorization
 WSP Canada Inc.
 No. 5750

CITY DRAWING NUMBER: _____
 SHEET: 02 OF 15
 TENDER NO.: 908-2022