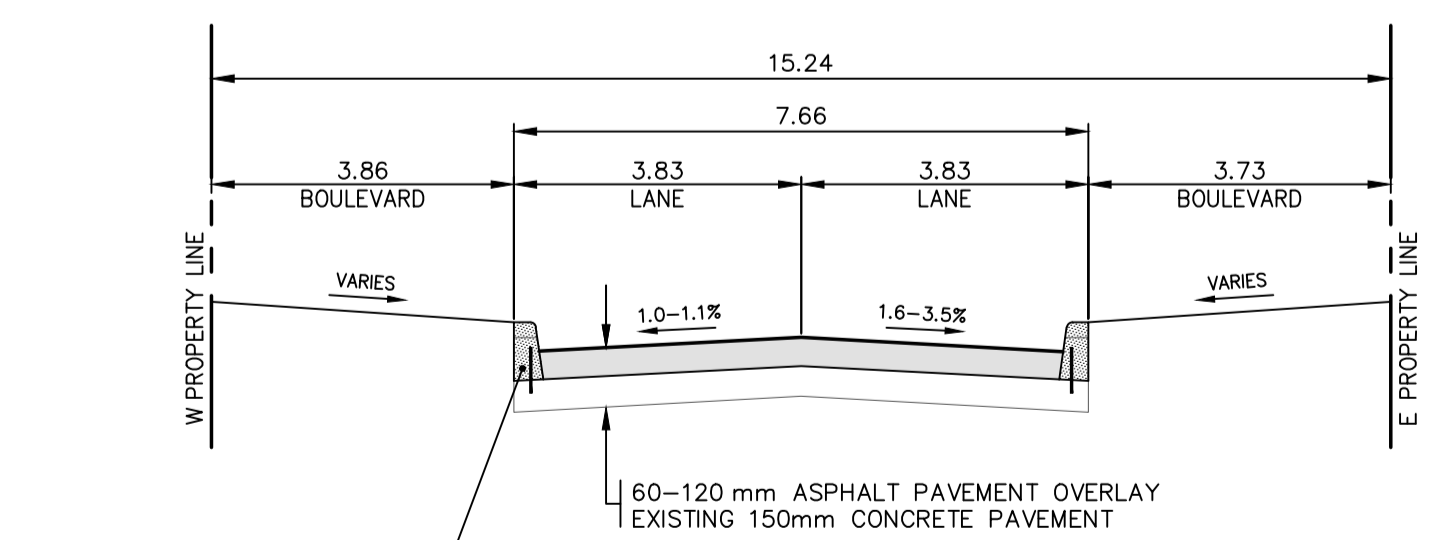


- NOTES:**
1. ALL WORK AND MATERIALS TO BE IN ACCORDANCE WITH THE LATEST REVISION OF THE CITY OF WINNIPEG STANDARD CONSTRUCTION SPECIFICATIONS.
 2. CONTRACTOR TO CONFIRM THE LOCATION OF ALL UTILITIES/SERVICES IN THE FIELD PRIOR TO CONSTRUCTION.
 3. ALL ROADWAY DIMENSIONS SHOWN ARE TO BACK OF CURB.
 4. EXISTING ASPHALT TO BE PLANED AS SHOWN OR AS DIRECTED BY CONTRACT ADMINISTRATOR.
 5. 150mm PARTIAL CONCRETE SLAB PATCHES SHOWN ARE ONLY A REPRESENTATIVE APPROXIMATION OF THE TENDERED QUANTITIES.
 6. EXISTING SIDEWALK TO BE RENEWED AS PER SD-228A AND AS DIRECTED BY CONTRACT ADMINISTRATOR.
 7. PLANE/REMOVE EXISTING CURB AND CONSTRUCT BARRIER CURB (100mm REVEAL) AS PER SD-206A AND AS DIRECTED BY CONTRACT ADMINISTRATOR.
 8. ALL PRIVATE WALKWAYS TO BE ADJUSTED TO NEW SIDEWALK OR TOP OF CURB ELEVATION, AS DIRECTED BY THE CONTRACT ADMINISTRATOR.
 9. EXISTING LIP CURB AT PRIVATE APPROACHES TO BE RENEWED AS DIRECTED BY CONTRACT ADMINISTRATOR.
 10. PAVEMENT REPAIR FABRIC TO BE INSTALLED AS SHOWN OR AS DIRECTED BY CONTRACT ADMINISTRATOR.
 11. MODIFIED BARRIER CURB TO BE CONSTRUCTED AT ALL INTERSECTION RADII AND ALLEY RADII.
 12. CONTRACTORS TO TAKE PRECAUTIONARY STEPS TO PROTECT EXISTING TREES WITHIN THE LIMITS OF CONSTRUCTION FROM DAMAGE FROM CONSTRUCTION ACTIVITIES AS OUTLINED IN THE SPECIFICATIONS.
 13. LAMP STANDARDS, HYDRO POLES, AND ANCHORS THAT REQUIRE TEMPORARY SUPPORT, REMOVAL OR REPLACEMENT, TO BE DONE SO AT THE EXPENSE OF THE CONTRACTOR AS NECESSARY.
 14. ALL BOULEVARDS TO BE SODDED UNLESS OTHERWISE NOTED.
 15. ADJUST ALL WATER VALVES, HYDRANTS, MANHOLES, AND CATCH BASINS IN WORK AREA TO GRADE.

EXISTING	PROPOSED	EXISTING	PROPOSED	LEGEND-PLAN	LEGEND-PROFILE	PROPOSED
---	---	---	---	WATER MAIN	---	IRON BAR
---	---	---	---	LAND DRAINAGE SEWER	---	HYDRO POLE & LIGHT STANDARD
---	---	---	---	WASTE WATER SEWER	---	LIGHT STANDARD OR TRAFFIC SIGNAL
---	---	---	---	HYDRO	---	HYDRO POLE
---	---	---	---	BELL/MTS	---	CURB RAMP
---	---	---	---	GAS	---	DETECTABLE WARNING SURFACE TILE
---	---	---	---	SIGNALS	---	EDGE OF SIDEWALK
---	---	---	---	MANHOLE	---	FENCE
---	---	---	---	CATCH BASIN	---	PROPERTY LINE
---	---	---	---	CURB INLET	---	EDGE OF ASPHALT
---	---	---	---	UTILITIES ADJUSTED	---	EDGE OF CONCRETE
---	---	---	---	PLUG	---	MODIFIED BARRIER CURB
---	---	---	---	HYDRANT	---	BARRIER CURB
---	---	---	---	VALVE	---	BARRIER CURB AND GUTTER
---	---	---	---	CURB STOP	---	CONC SIDEWALK
---	---	---	---	GROUND GRADE	---	CONCRETE SLAB
---	---	---	---	PAVEMENT GRADE	---	ASPHALT
---	---	---	---	ANCHOR	---	MILLED SURFACE
---	---	---	---	#111 CIVIC ADDRESS	---	PAVEMENT REPAIR FABRIC
---	---	---	---	EXISTING LEGEND-PLAN	---	PROPOSED LEGEND-PROFILE



EXISTING BARRIER CURB TO BE RENEWED AS DIRECTED (DOWELLED, 100mm REVEAL) AS PER SD-206A (TYP.)

TYPICAL CROSS-SECTION

NTS

LOCATIONS APPROVED UNDERGROUND STRUCTURES

SIGNED BY: _____ DATE: _____

SUPV UG STRUCTURES

LOCATION OF UNDERGROUND STRUCTURES AS SHOWN ARE BASED ON THE BEST INFORMATION AVAILABLE BUT NO GUARANTEE IS GIVEN THAT ALL EXISTING UTILITIES ARE SHOWN OR THAT THE GIVEN LOCATIONS ARE EXACT CONFIRMATION OF EXISTENCE AND EXACT LOCATION OF ALL SERVICES MUST BE OBTAINED FROM THE INDIVIDUAL UTILITIES BEFORE PROCEEDING

NO.	REVISIONS	DATE	BY
1	ISSUED FOR TENDER	2023/02/14	R.H.

wsp

DESIGNED BY: R.H. CHECKED BY: R.H.

DRAWN BY: N.T. APPROVED BY: V.M.

HOR. SCALE: 1:250

VERTICAL: 1:10

RELEASED FOR CONSTRUCTION

DATE: SEPTEMBER 2022

WSP Canada Inc.
1600 Buffalo Place
Winnipeg, MB R3T 6B8
t. 204.477.6658
f. 204.474.2864
www.wsp.com

ENGINEER'S SEAL

S.C. MINY
REGISTERED
2021

2023-02-14

CONSULTANT ACAD. DWG. NO.
221-07897-00-32

THE CITY OF WINNIPEG
PUBLIC WORKS DEPARTMENT
ENGINEERING SERVICES DIVISION

2023 LOCAL STREET RENEWALS

HAYES STREET

MAJOR REHABILITATION
STA. 0+93.88 TO STA. 2+35.46

CITY DRAWING NUMBER
SHEET 01 OF 15

TENDER NO.
908-2022

METRIC

WHOLE NUMBERS INDICATE MILLIMETRES
DECIMALIZED NUMBERS INDICATE METRES

ENGINEERS GEOSCIENTISTS MANITOBA

Certificate of Authorization
WSP Canada Inc.
No. 5750

FOR TENDER PURPOSES ONLY
NOT FOR CONSTRUCTION

FOR CONTINUATION SEE
DWG 221-07897-00-42

FOR CONTINUATION SEE
DWG 221-07897-00-42

Feb 14, 2023 - 4:36pm
P:\2022\221-07897-00 - 2023 Local Street Renewal\23-R-05\14.0 Tech_Prof_Serv\14.11 Hwy_Bridgs\14.11.06_Dwg\03_Work_Dwg\221-07897-00_Hayes_St_Plan_Profile.dwg - tab: 908-2022-2022_Drawing_221-07897-00-32-R-00