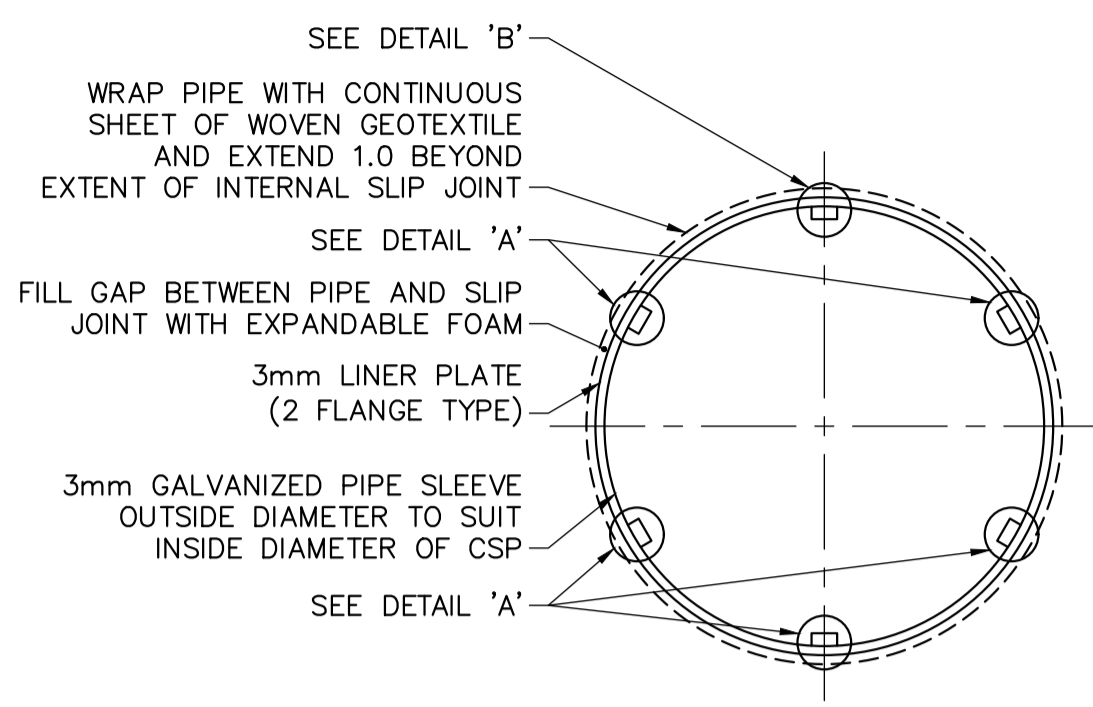
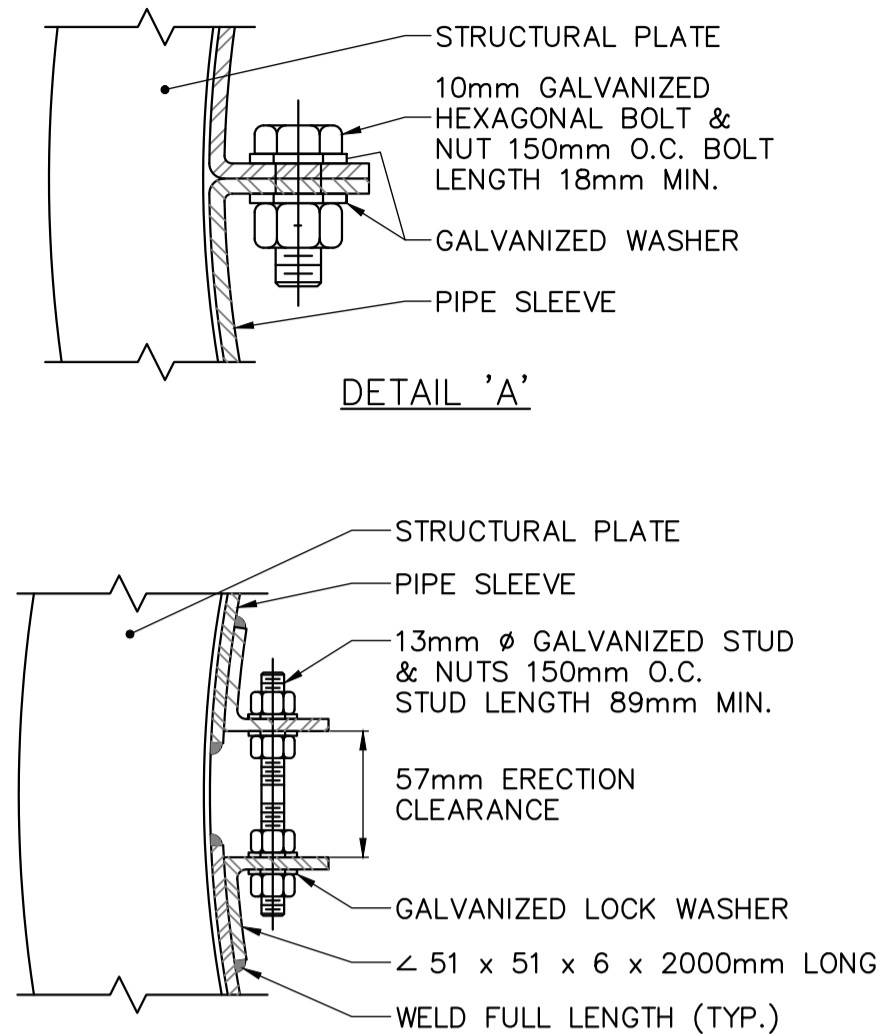


OUTFALL DEBRIS GRATE											
LOCATION	PIPE		END CONDITION	GRATING							
	DIAMETER D	MATERIAL		DIAMETER D1	TYPE	BAR DIA.	A	B	C	N	WEIGHT (lbs)
RIVERA CRESCENT OUTFALL	2120	SPCSP	2	2105±	Y	25	155	150	150	12	295

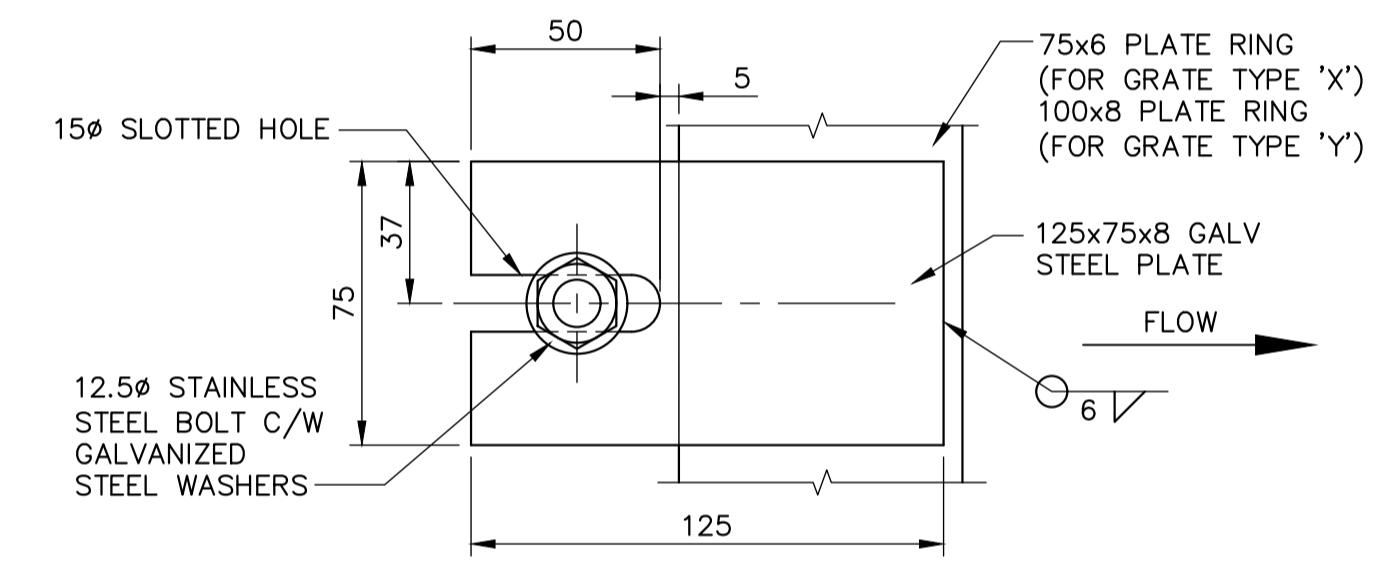
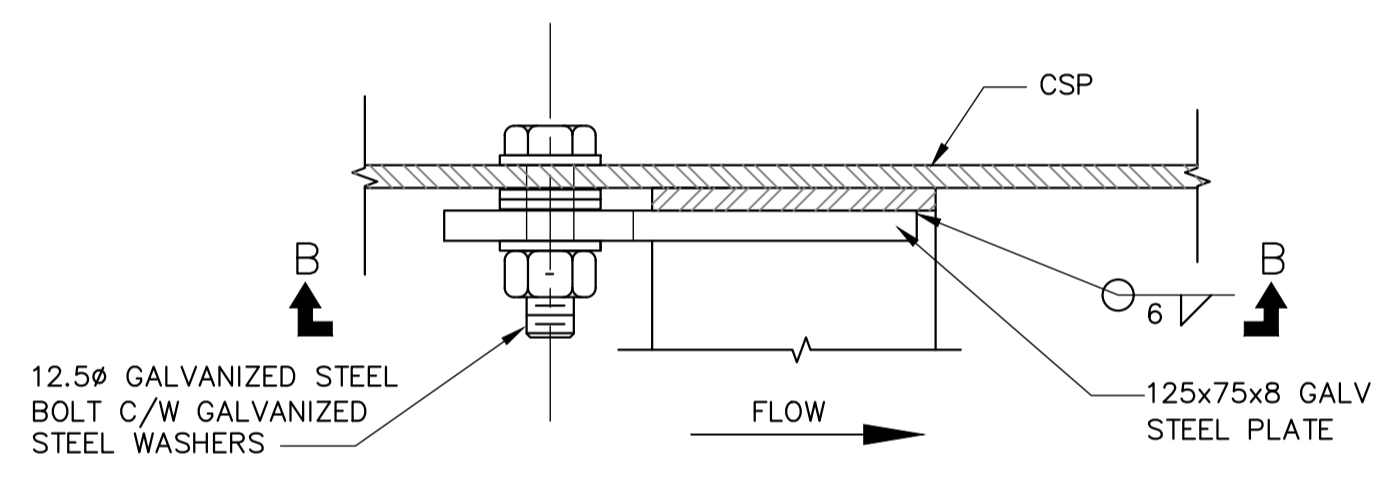
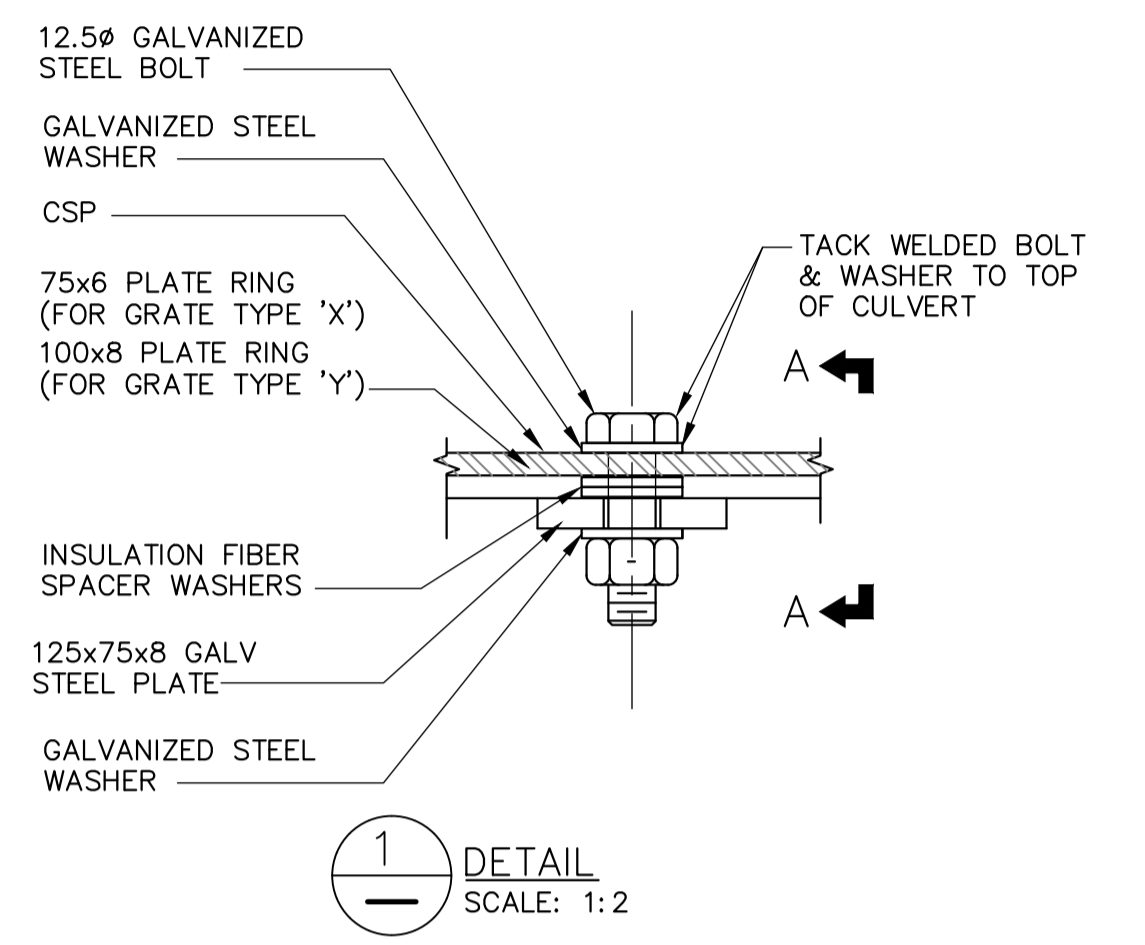
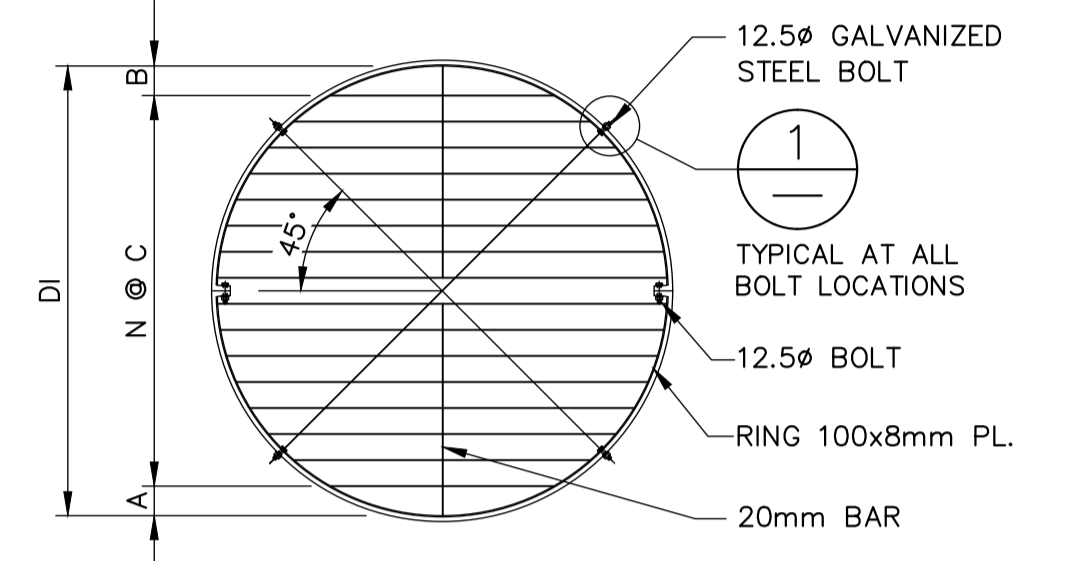
- NOTE:  
1. ALL PLATES AND BARS ARE CSA G40.21-300W.  
2. ALL COMPONENTS ARE GALVANIZED.  
3. ALL BOLTS TO BE TYPE 316 STAINLESS STEEL CONFORMING TO ASTM A320 GRADE B8M



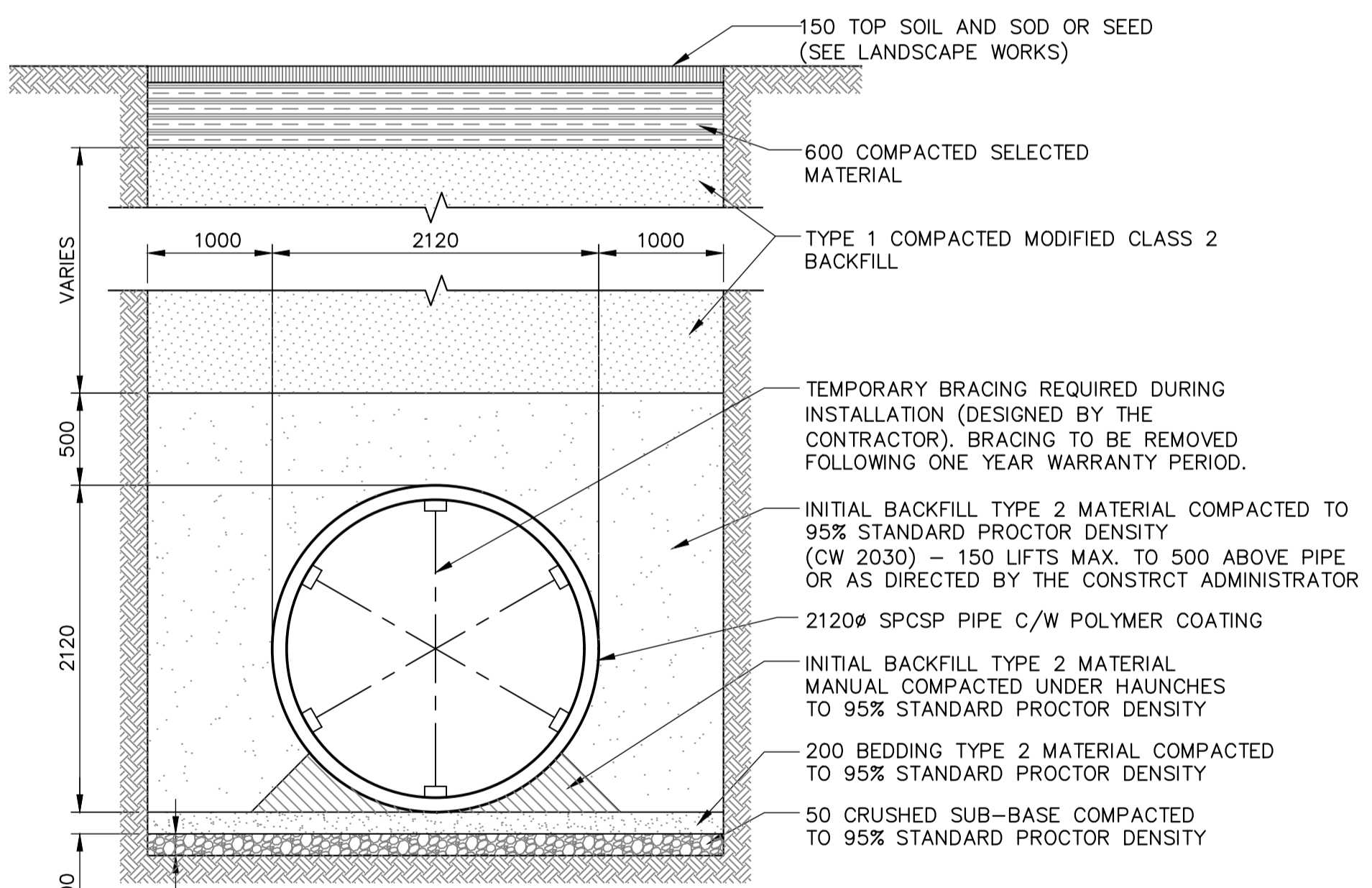
ELEVATION



INTERNAL SLIP JOINT DETAIL  
SCALE: N.T.S.

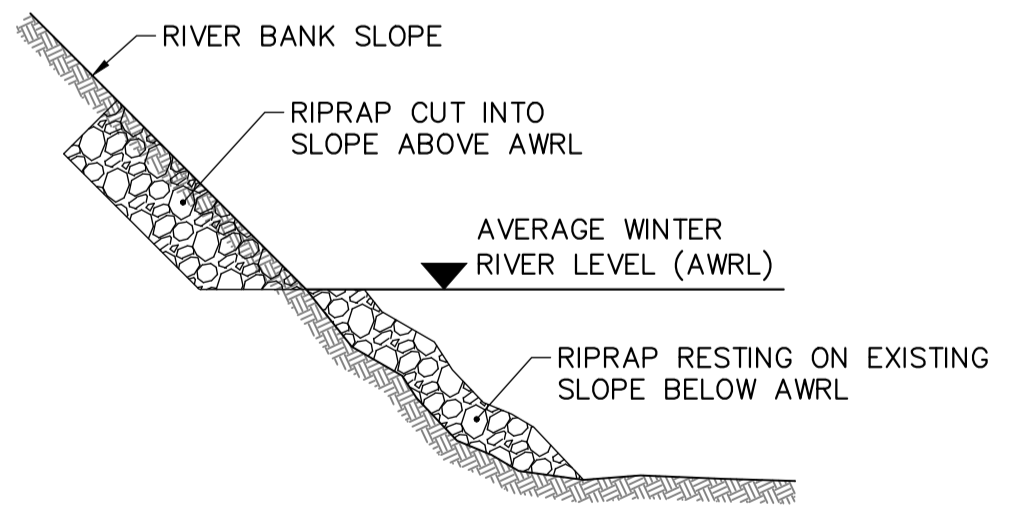
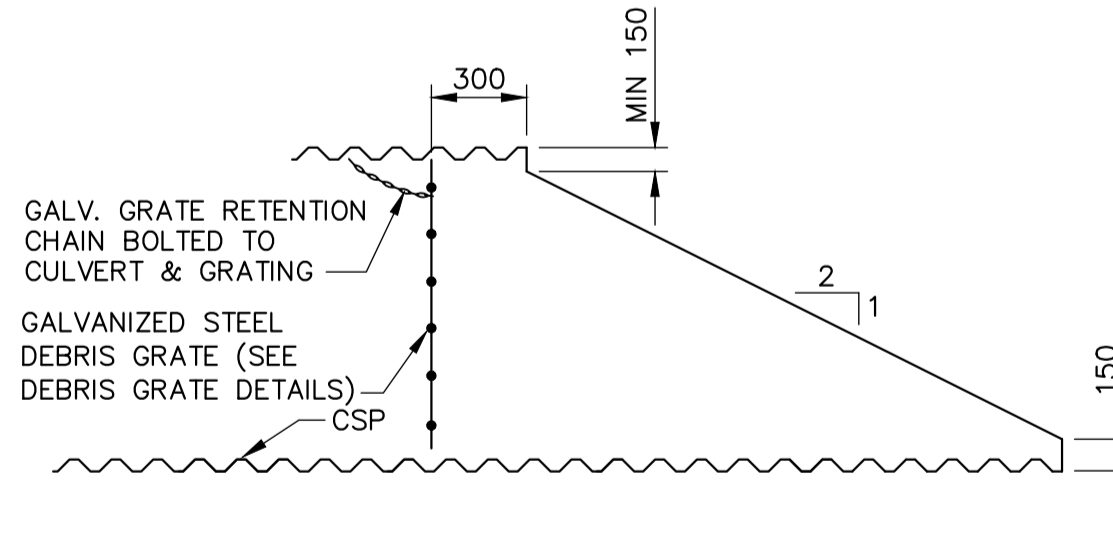


DEBRIS GRATE DETAILS  
SCALE: N.T.S.



- NOTES:  
1. NO STOCKPILING OF MATERIAL WITHIN 107.0 OF (A.S.R.L.). ALL EXCAVATED MATERIAL TO BE REMOVED FROM SITE.  
2. THE CONTRACTOR TO PROVIDE TEMPORARY SHORING WHERE REQUIRED IN ACCORDANCE WITH SPECIFICATIONS.  
3. CONTRACTOR TO SUPPLY HEATING AND HOARDING TO ACHIEVE COMPACTION OF BEDDING AND BACKFILL.

PIPE BEDDING DETAIL  
SCALE: N.T.S.



**ES** ENGINEERS  
GEOSCIENTISTS  
MANITOBA  
Certificate of Authorization  
KGS Group  
No. 245

FOR INDEX PAGE SEE DWG  
1-03030-D0011-001

METRIC  
WHOLE NUMBERS INDICATE MILLIMETRES  
DECIMALIZED NUMBERS INDICATE METRES

<b>WARNING</b> IF POWER EQUIPMENT OR EXPLOSIVES ARE TO BE USED FOR EXCAVATION ON THIS PROJECT THE CONTRACTOR MUST: 1) NOTIFY THE GAS COMPANY OF THE PROPOSED LOCATION OF EXCAVATION. 2) TAKE PRECAUTION TO AVOID DAMAGE TO GAS COMPANY INSTALLATIONS. SEE PROVINCIAL REGULATION 21072 FOR DETAILS	<b>LOCATION APPROVED</b> UNDERGROUND STRUCTURES SUPV. U/G STRUCTURES COMMITTEE DATE NOTE: LOCATION OF UNDERGROUND STRUCTURES AS SHOWN ARE BASED ON THE BEST INFORMATION AVAILABLE BUT NO GUARANTEE IS GIVEN THAT ALL EXISTING UTILITIES ARE SHOWN OR THAT THE GIVEN LOCATIONS ARE EXACT. CONFIRMATION OF EXISTENCE AND EXACT LOCATION OF ALL SERVICES MUST BE OBTAINED FROM THE INDIVIDUAL UTILITIES BEFORE PROCEEDING WITH CONSTRUCTION.	B.M. ELEV.    0 ISSUED FOR TENDER 2022 11 07 NO. REVISIONS DATE BY	<b>KGS GROUP</b> DESIGNED BY NGV DRAWN BY GEL SCALE: HORIZONTAL AS NOTED VERTICAL NA DATE 2022 11 08	ENGINEER'S SEAL CONSULTANT DRAWING NUMBER 1-03030-C0066-001	<b>THE CITY OF WINNIPEG</b> WATER AND WASTE DEPARTMENT ENGINEERING DIVISION RIVERA CRESCENT OUTFALL REHABILITATION MISCELLANEOUS DETAILS SHEET 6 OF 6 CITY DRAWING NUMBER 1-03030-C0066-001