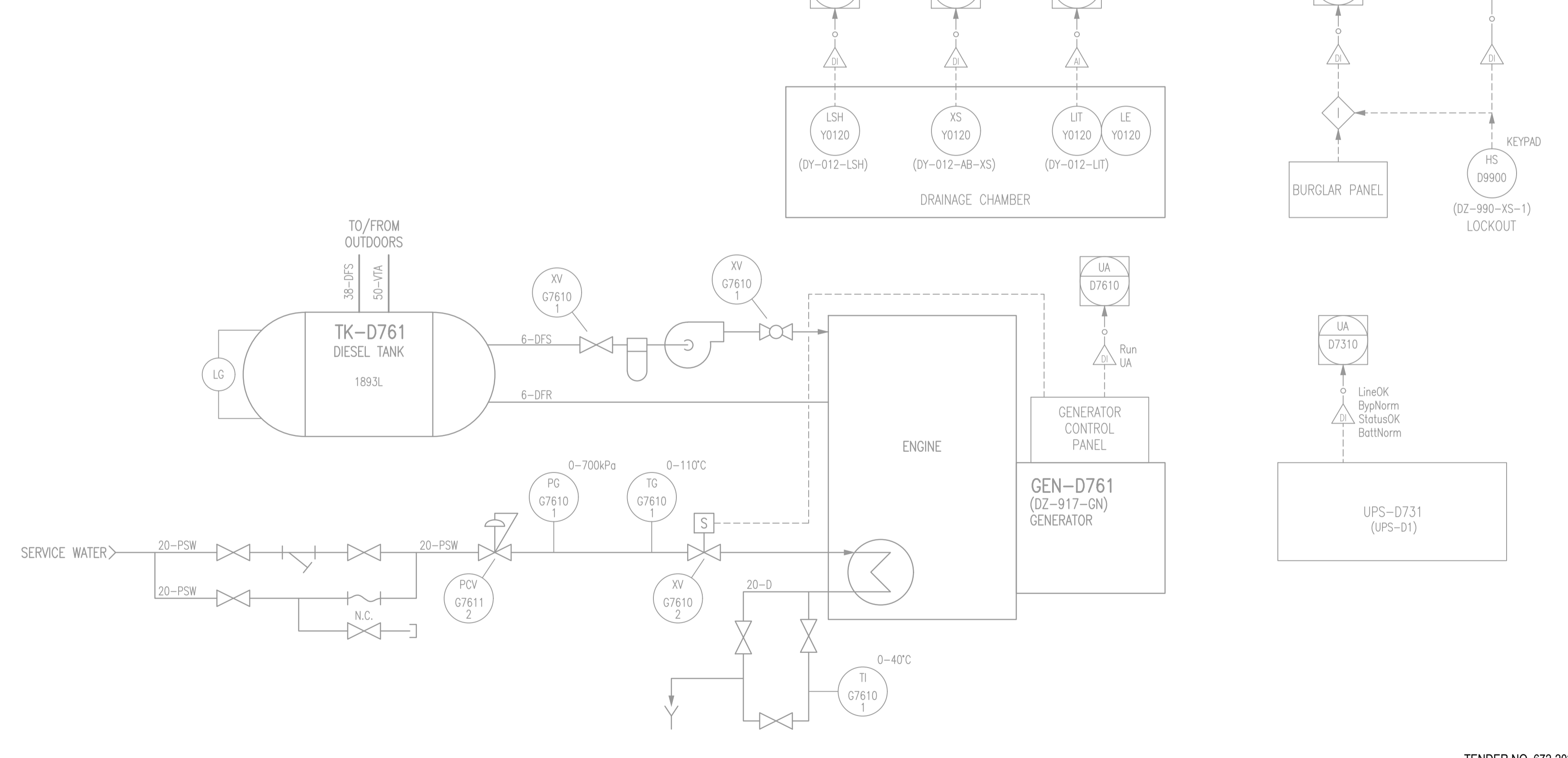
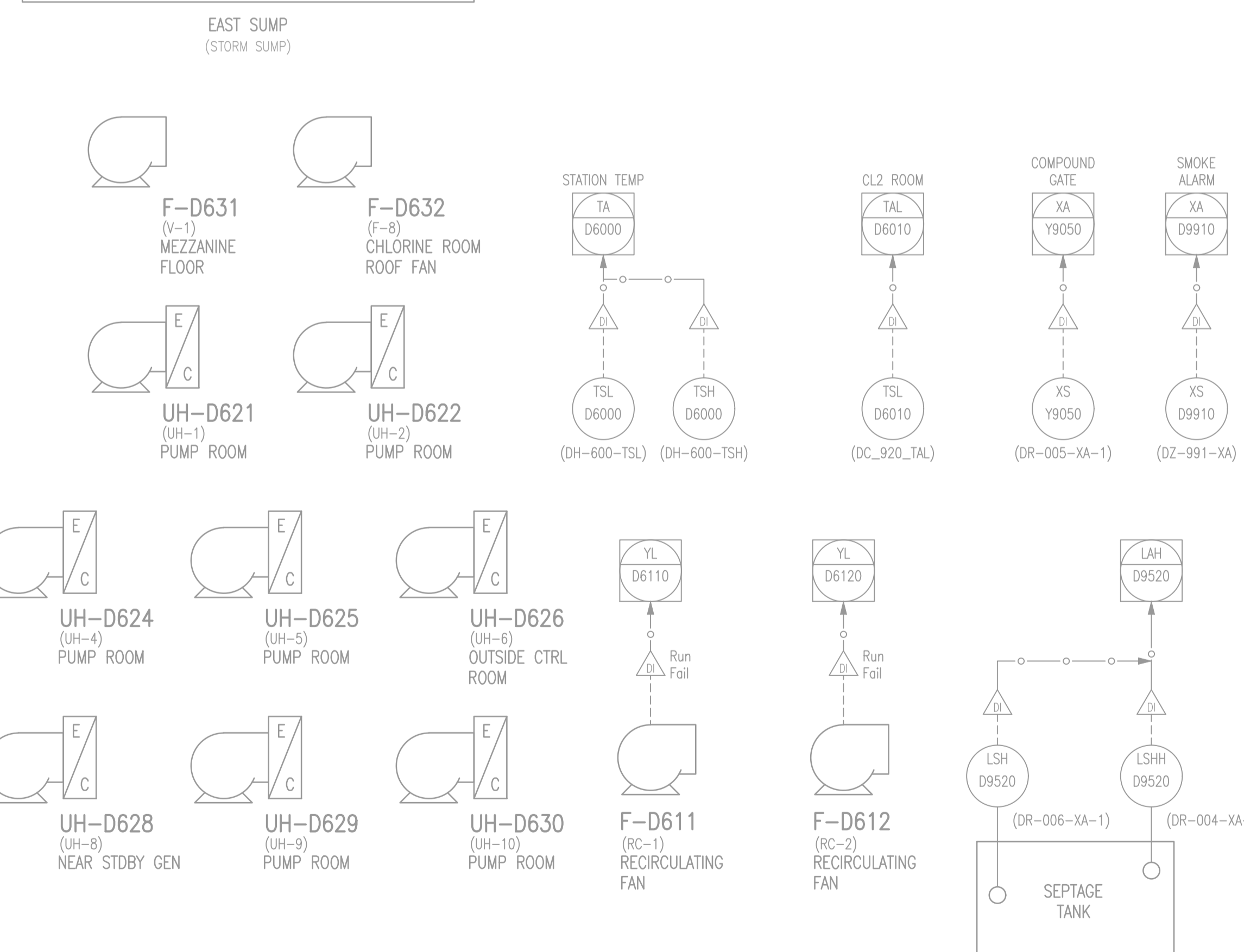
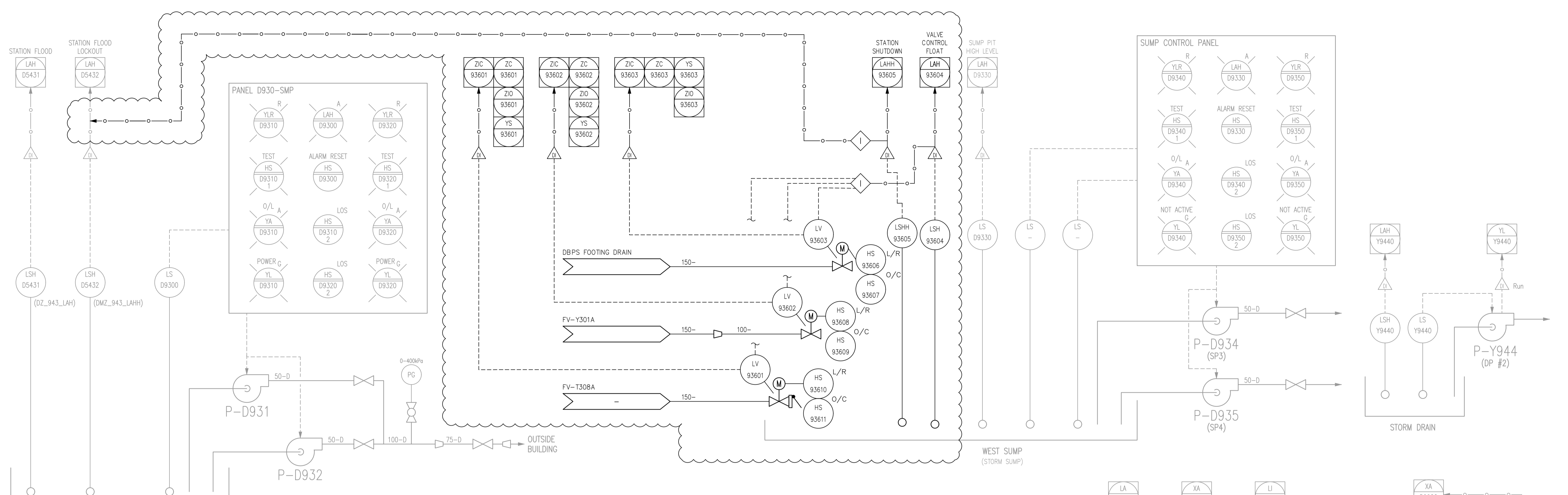


LAST SAVE: 2022/09/01 10:15 AM
 PATH: I:\aecom\100-000000\100-000000\CAD\SH\100-000000-P0020-001.dwg
 A1 SIZE - 594mm x 841mm



GENERAL NOTES:
1. GREY LINETYPE DENOTES EXISTING

REVISION PD CHANGES	
THE ENGINEER'S DESIGN RESPONSIBILITIES ARE LIMITED TO THE CHANGES INDICATED IN THE CLOUDED WORK	
DESIGNED BY: CR	CHECKED BY: MM
DRAWN BY: PA	APPROVED BY: MM
DATE: 2022/09/01	RELEASED FOR CONSTR. DATE: 2022/09/01

ENGINEERS GEOSCIENTISTS MANITOBA
 Certificate of Authorization
 AECOM Canada Ltd.
 No. 4671 Date: 2022-09-07

METRIC
 WHOLE NUMBERS INDICATE MILLIMETRES
 DECIMALIZED NUMBERS INDICATE METRES

NO.	REVISIONS	DATE	DESIGN	CHECK
PD	ISSUED FOR CONSTRUCTION	22/09/07	CR	JG
PC	ISSUED FOR 90%	22/07/18	CR	JG
PB	ISSUED FOR 30%	22/04/14	CR	MM
PA	ISSUED FOR 30% REVIEW	22/02/25	CR	MM

AECOM
 DESIGNED BY: CR
 CHECKED BY: MGM
 DRAWN BY: PA
 APPROVED BY: KWF
 SCALE: AS SHOWN
 DATE: 2022-09-07
 CONSULTANT NO.: P-0020

ENGINEER'S SEAL
 ORIGINAL SIGNED
 BY M.P.A GAUDREAU
 SEPTEMBER 7, 2022

THE CITY OF WINNIPEG
 WATER AND WASTE DEPARTMENT
 WATER TREATMENT PLANT - FLOOD PROTECTION
 BOOSTER PUMP STATION
 PROCESS & INSTRUMENTATION
 DBPS SUMP PIT AUTOMATION
 CITY DRAWING NUMBER: 1-0601D-P0020-001
 SHEET: 010
 REV: PD
 SIZE: A1

TENDER NO. 672-2022