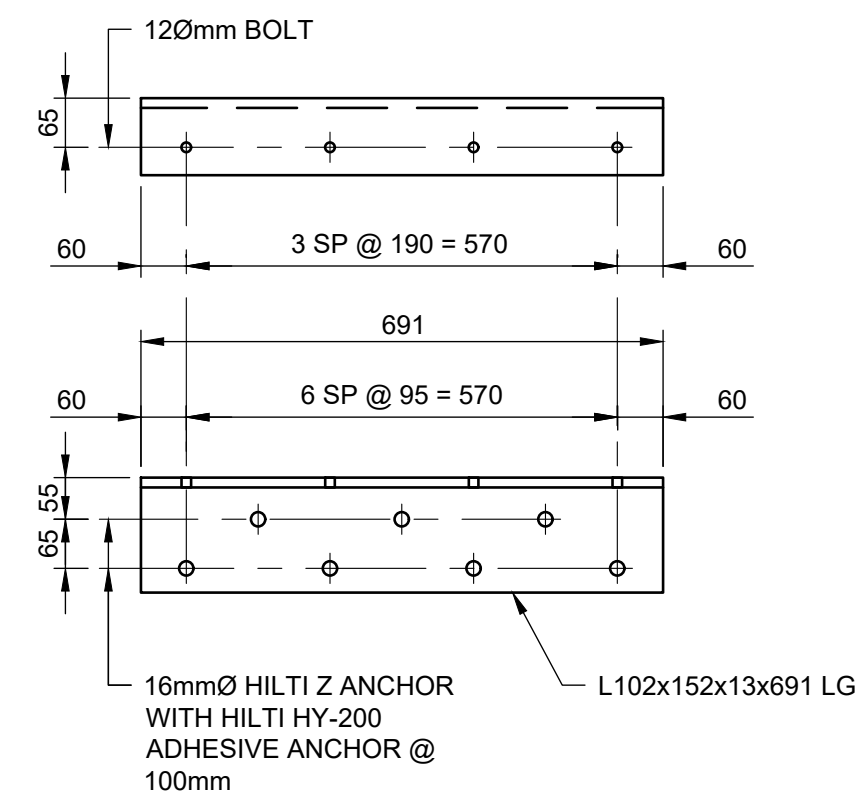
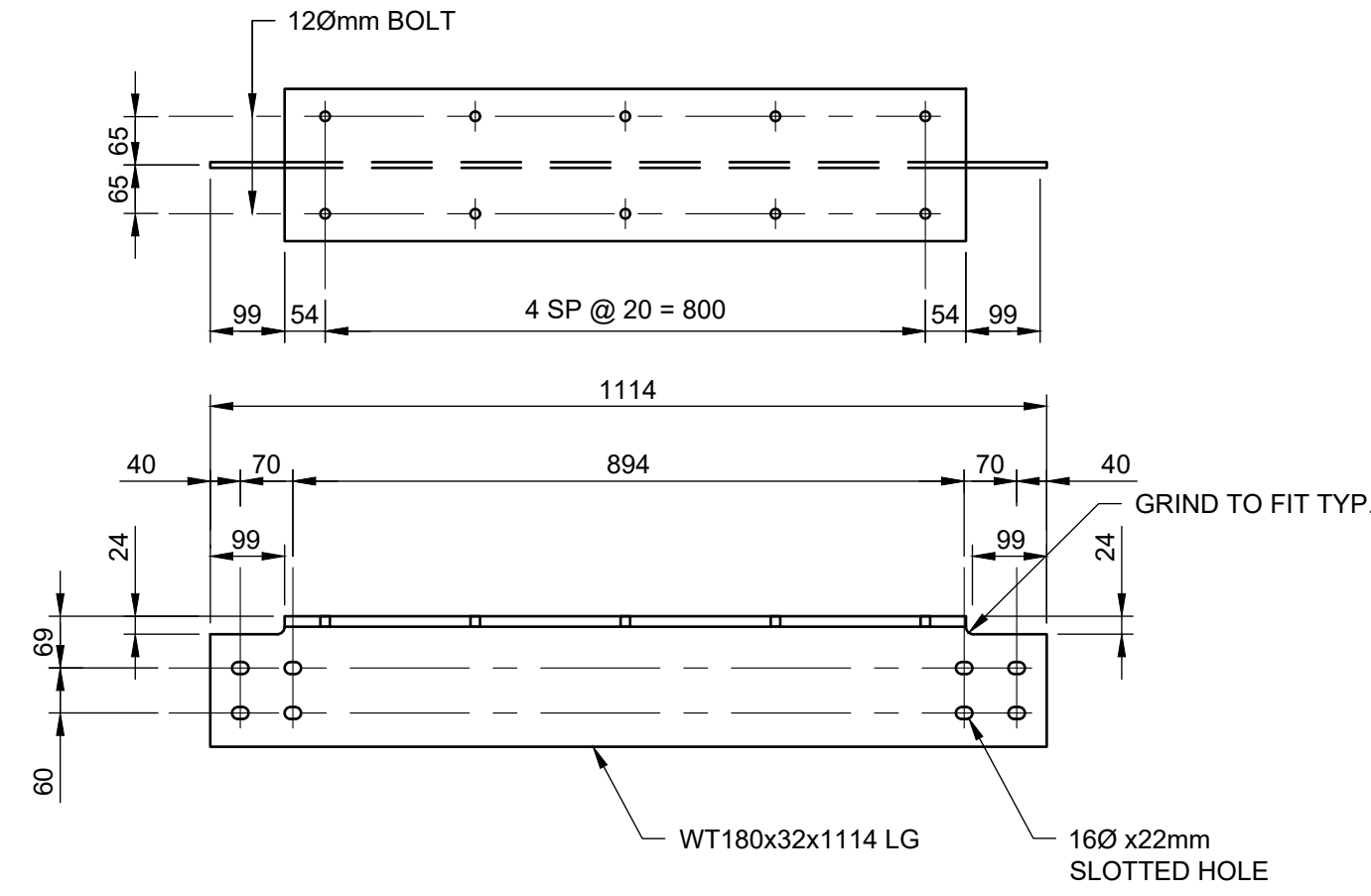


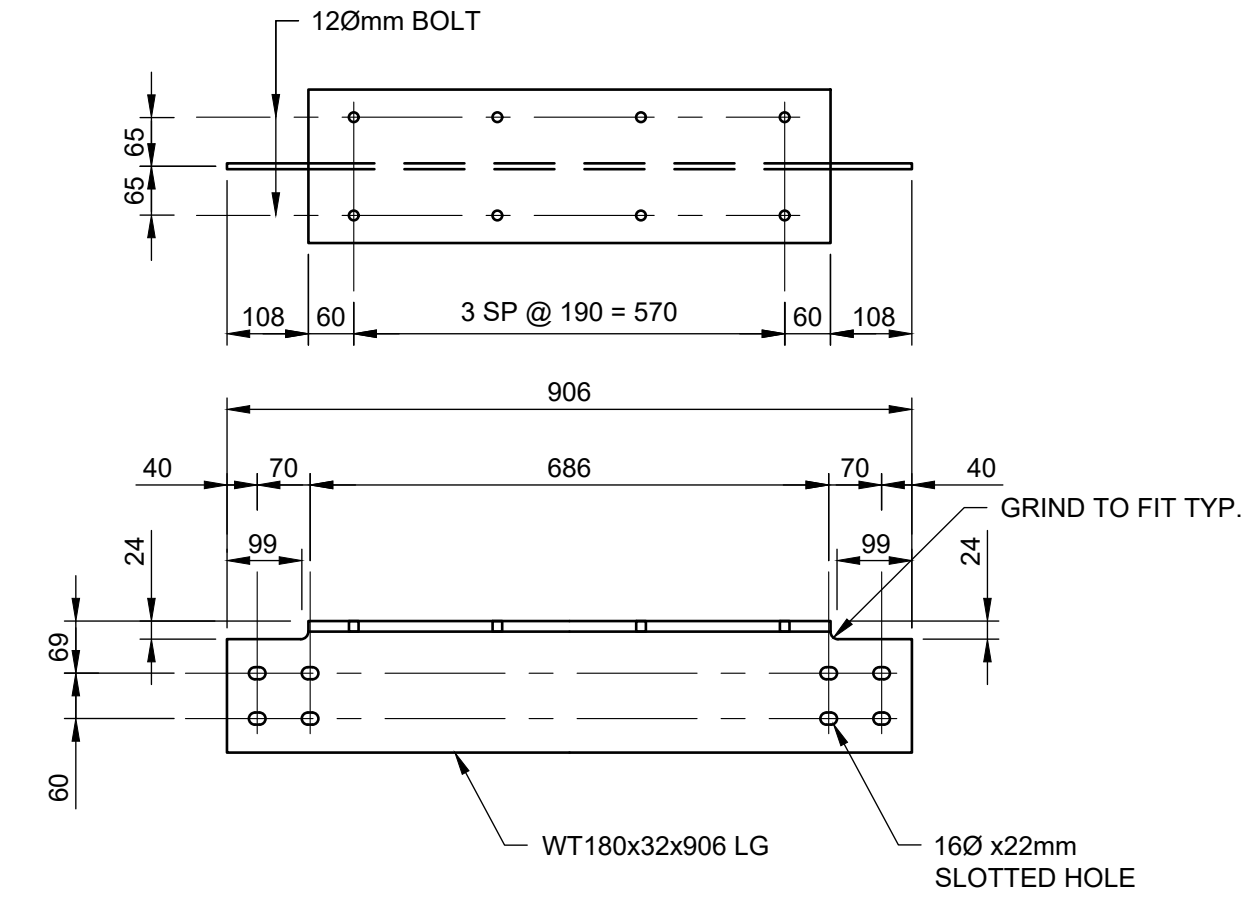
MK-1
SCALE 1:10



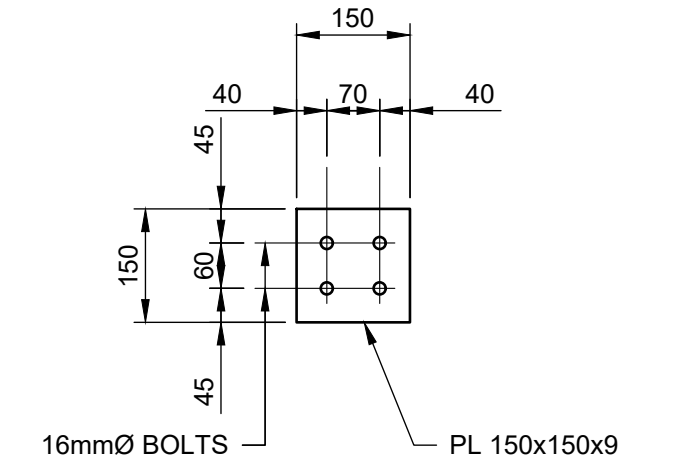
MK-2
SCALE 1:10



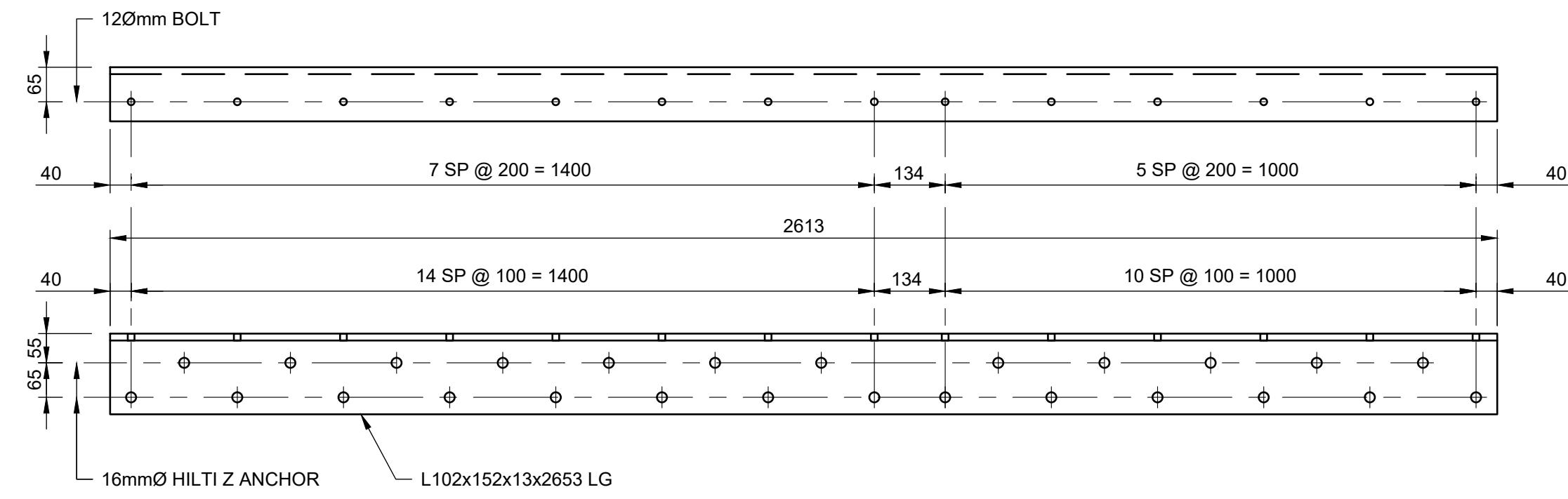
MK-3
SCALE 1:10



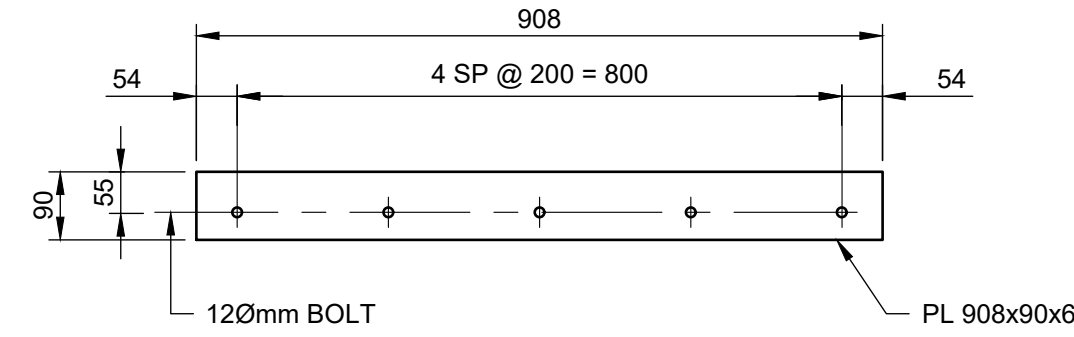
MK-4
SCALE 1:10



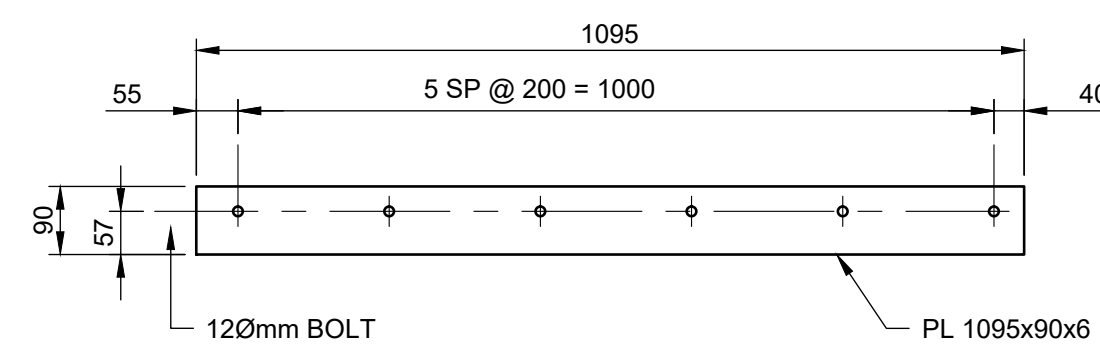
MK-5
SCALE 1:10



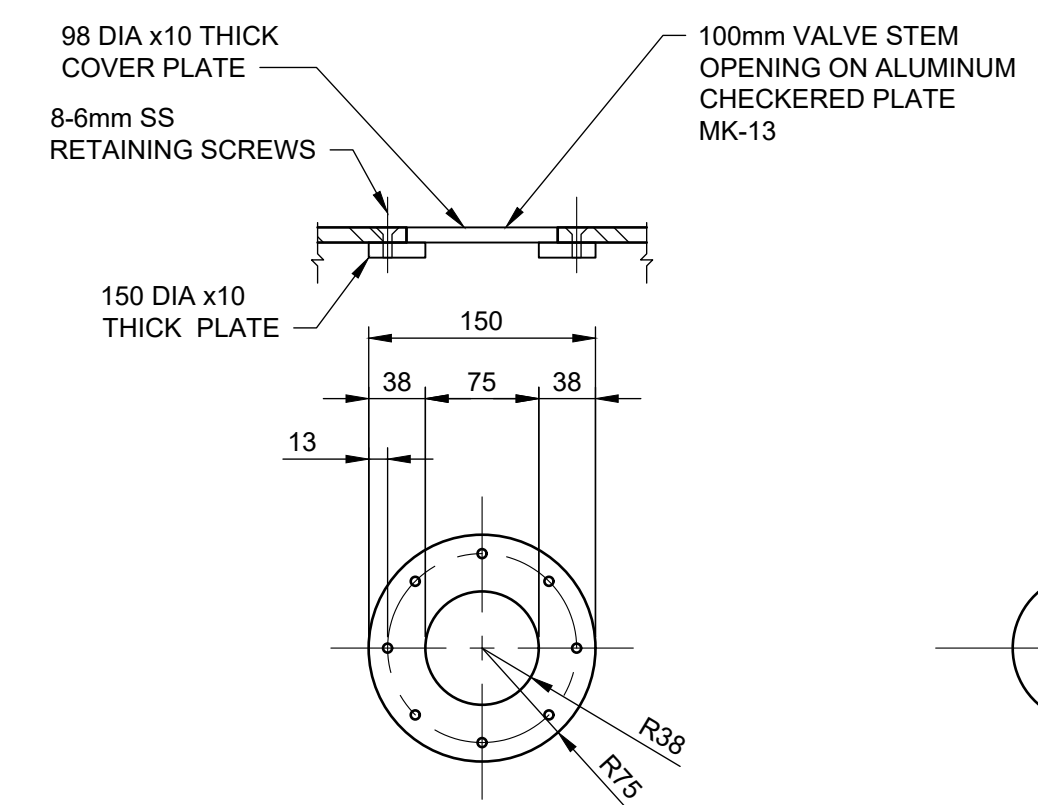
MK-6
SCALE 1:10



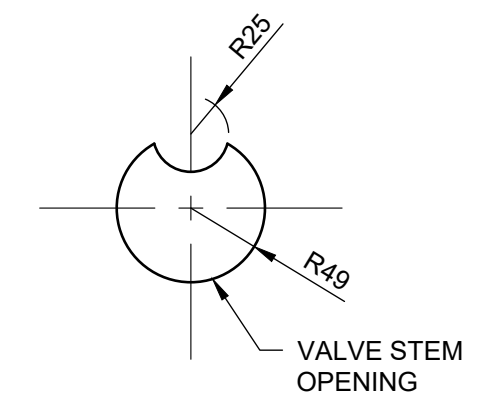
MK-8
SCALE 1:10



MK-9
SCALE 1:10

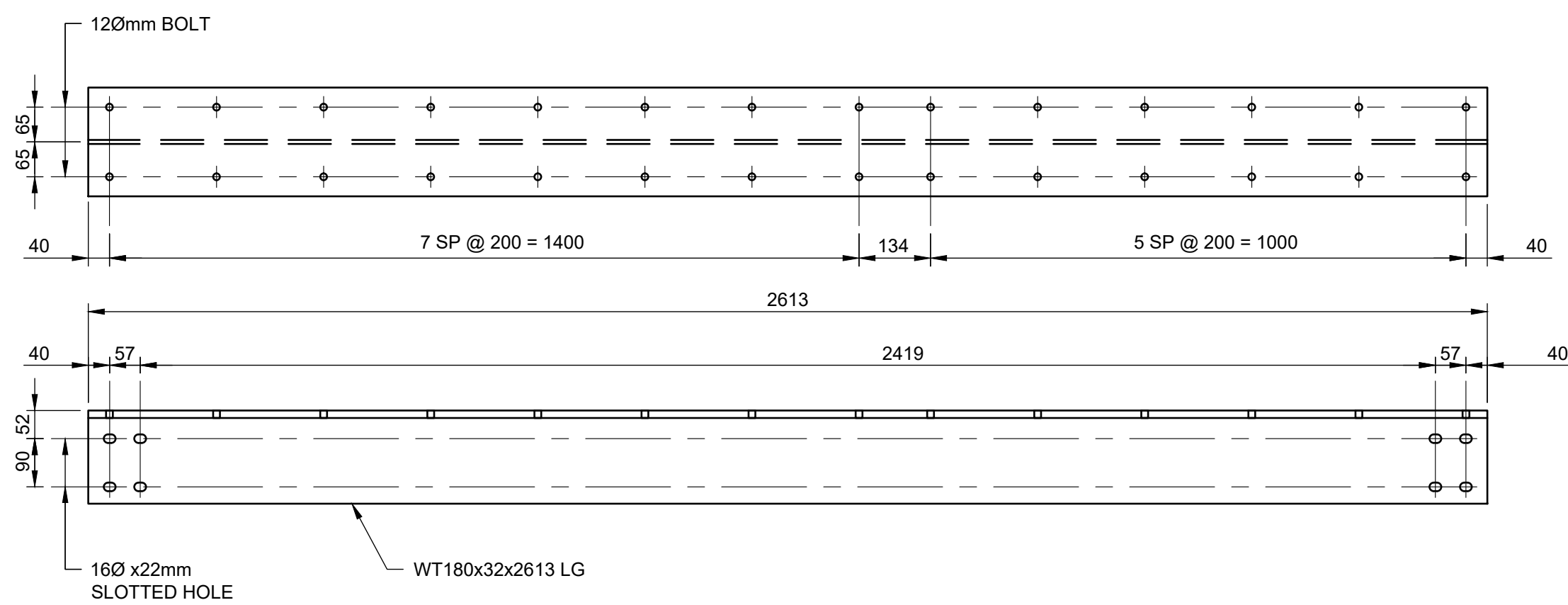


MK-12
SCALE 1:5

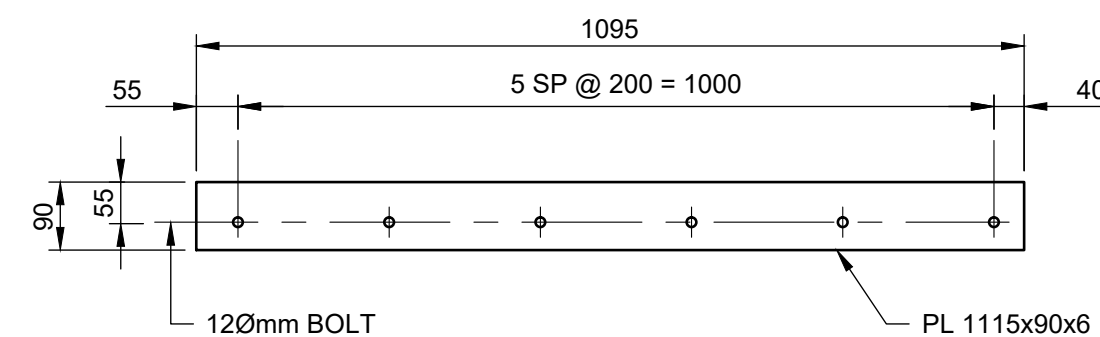


MK-13
SCALE 1:5

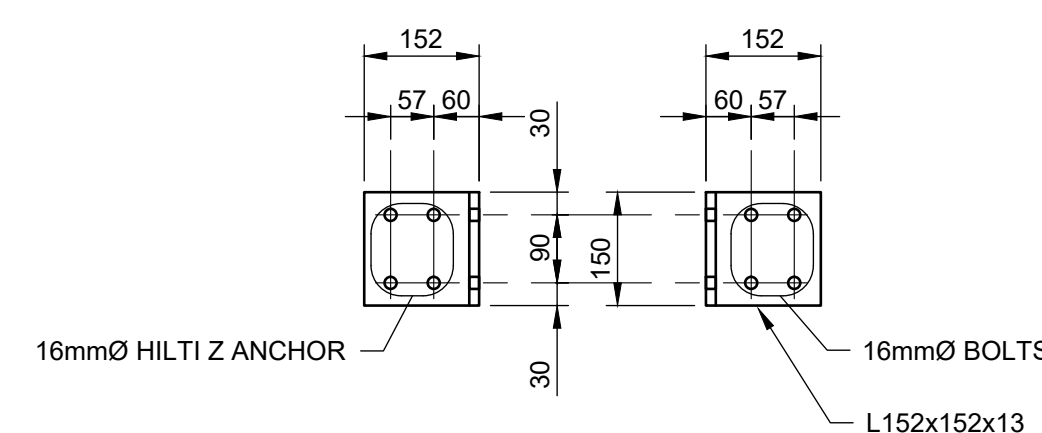
NOTE:
ALL 120mm ARE COUNTERSUNK BOLT



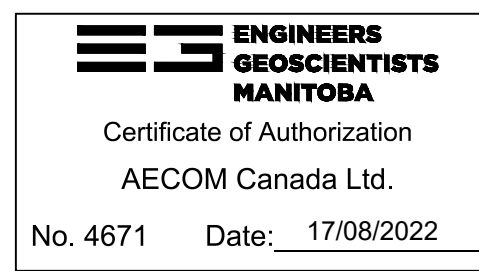
MK-7
SCALE 1:10



MK-10
SCALE 1:10



MK-11
SCALE 1:10



METRIC
WHOLE NUMBERS INDICATE MILLIMETRES
DECIMALIZED NUMBERS INDICATE METRES

01	ISSUED FOR CONSTRUCTION	22/08/17	CC	FT
00	ISSUED FOR 90% DESIGN	22/07/20	CC	FT
NO.	REVISIONS	DATE	DESIGN	CHECK

AECOM	
DESIGNED BY: CC	CHECKED BY: FT
DRAWN BY: KC	APPROVED BY: EBL
SCALE: AS NOTED	RELEASED FOR CONSTRUCTION BY: JESSICA McCOMBE
DATE: 2022-06-24	DATE: 2022-08-18
CONSULTANT NO.: S-0004	

ENGINEER'S SEAL
ORIGINAL SIGNED BY F. TABELT
Aug. 17, 2020

THE CITY OF WINNIPEG
WATER AND WASTE DEPARTMENT
ENGINEERING SERVICES DIVISION

WINNIPEG WATER TREATMENT PLANT
DEACON BOOSTER PUMPING STATION
STRUCTURAL
SUCTION HEADER SPLIT
STEEL DETAILS

CITY DRAWING NUMBER: 1-0601D-S0004-001
SHEET: 008
REV: 01
SIZE: A1