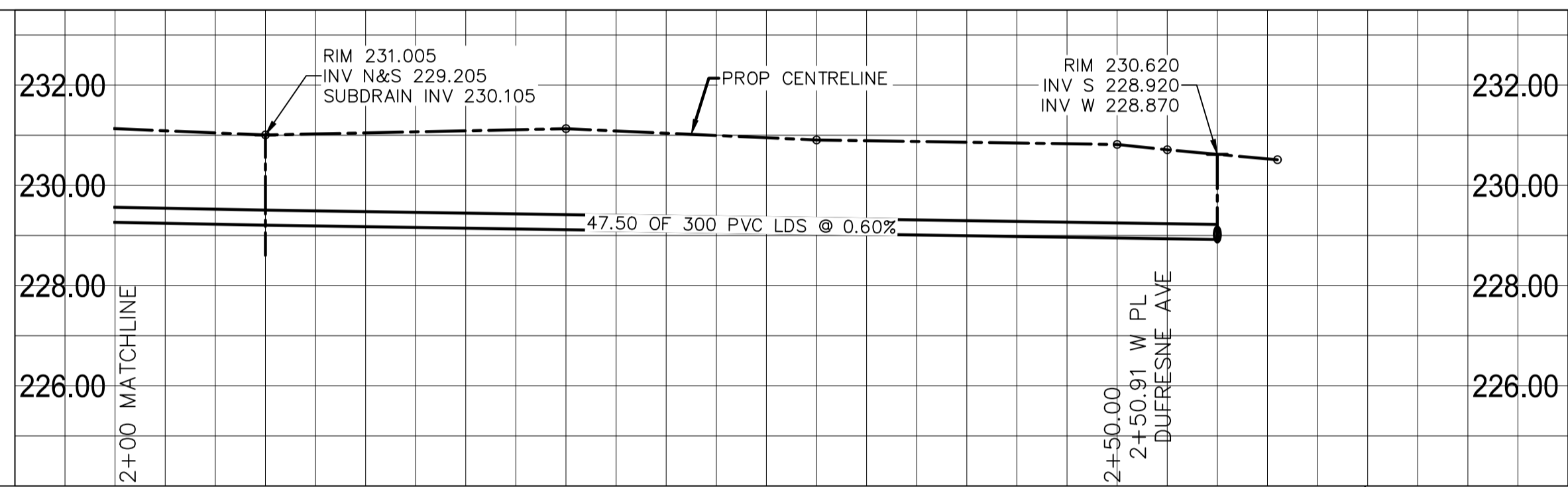
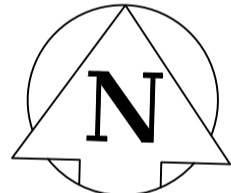
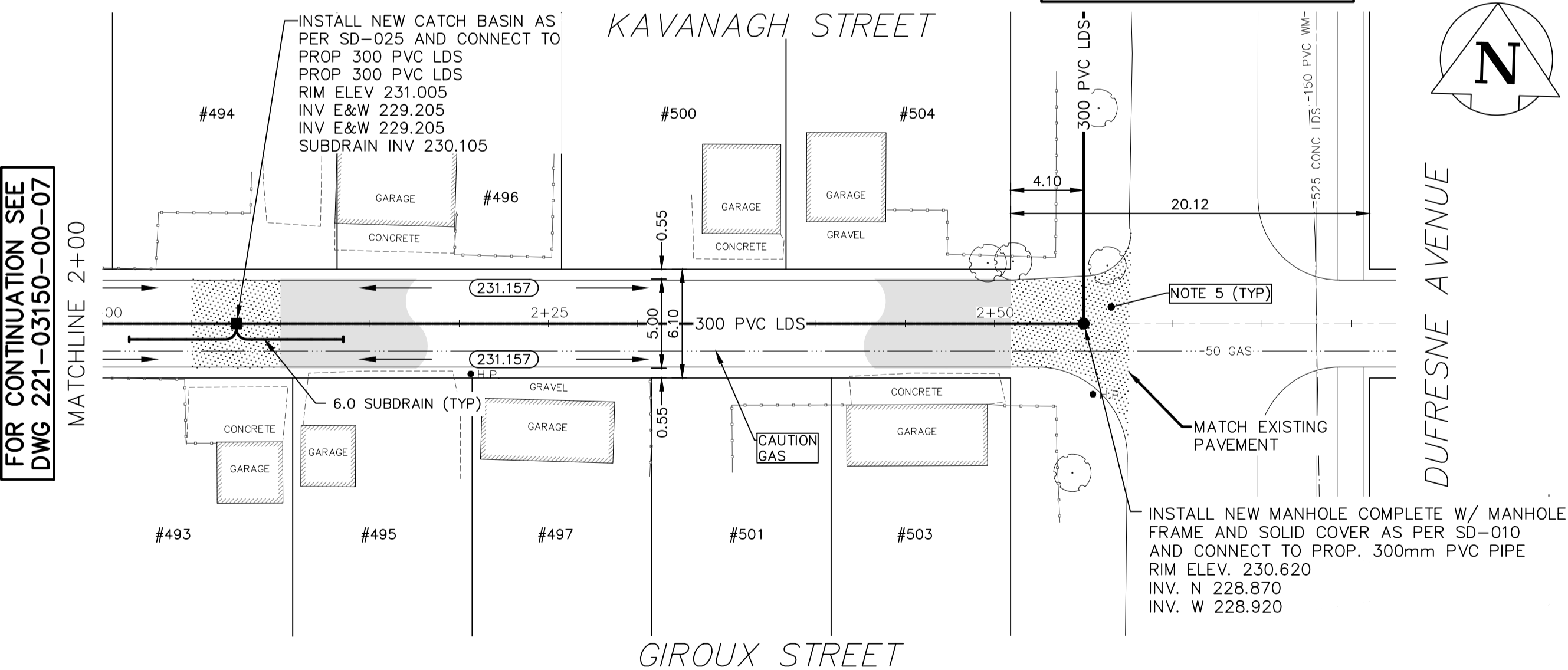


ALLEY PAVEMENT PROFILE
SCALE: 1:250 HOR
1:10 VER



LAND DRAINAGE SEWER PROFILE
SCALE: 1:250 HOR
1:100 VER

FOR CONTINUATION SEE
DWG 221-03150-00-09



NOTE: CHAINAGES SHOWN ARE ALONG
C OF RIGHT-OF-WAY

LOCATIONS APPROVED
UNDERGROUND STRUCTURES

SIGNED BY: _____ DATE: _____
SUPV UG STRUCTURES

LOCATION OF UNDERGROUND STRUCTURES AS SHOWN ARE BASED ON THE BEST INFORMATION AVAILABLE BUT NO GUARANTEE IS GIVEN THAT ALL EXISTING UTILITIES ARE SHOWN OR THAT THE GIVEN LOCATIONS ARE EXACT CONFIRMATION OF EXISTENCE AND EXACT LOCATION OF ALL SERVICES MUST BE OBTAINED FROM THE INDIVIDUAL UTILITIES BEFORE PROCEEDING

NO.	REVISIONS	DATE	BY
H			
G			
F			
E			
D			
C			
B	ISSUED FOR TENDER	21/07/22	AB
A	DETAILED DESIGN REVIEW	19/07/22	AB

DESIGNED BY	CHECKED BY	DATE
AB	KG	
AB	SM	

HOR. SCALE: 1:250
VERTICAL: 1:10

RELEASED FOR CONSTRUCTION

DATE: JULY 2022

WSP Canada Inc.
1600 Buffalo Place
Winnipeg, MB R3T 6B8
t. 204.477.6650
f. 204.474.2864
www.wsp.com

ENGINEER'S SEAL
S.C. MINY
PROFESSIONAL ENGINEER
2022-07-26

CONSULTANT ACAD DWG. NO.
221-03150-00-08

THE CITY OF WINNIPEG
PUBLIC WORKS DEPARTMENT
ENGINEERING SERVICES DIVISION

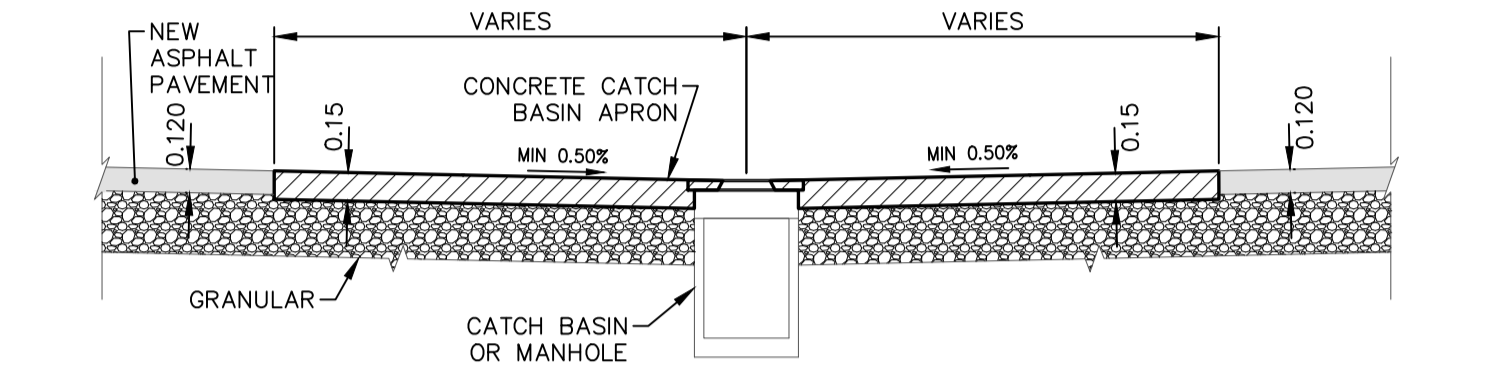
2022 TBO & LOCAL IMPROVEMENTS

KAVANAGH ST/GIROUX ST ALLEY

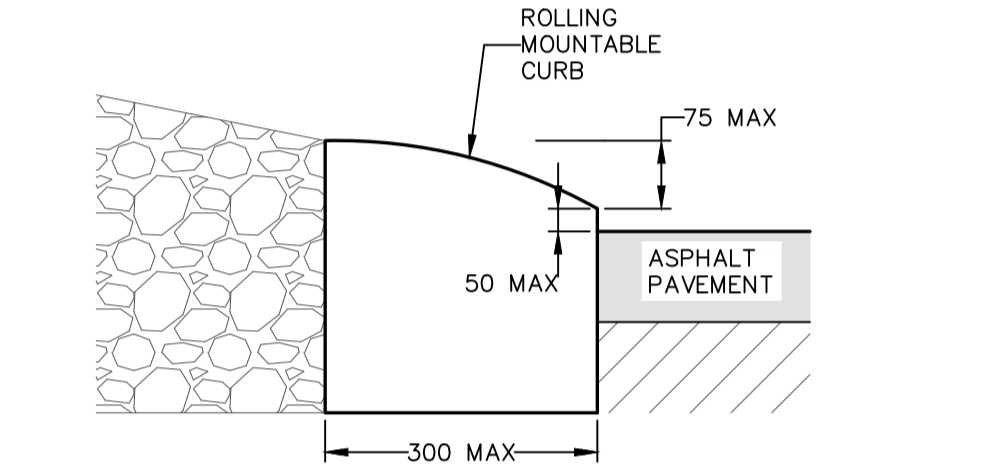
ASPHALT ALLEY RECONSTRUCTION
STA. 2+00 TO STA. 2+58 (DUFRESNE AVE)

CITY DRAWING NUMBER: ---08
SHEET 08 OF 12
TENDER NO. 541-2022

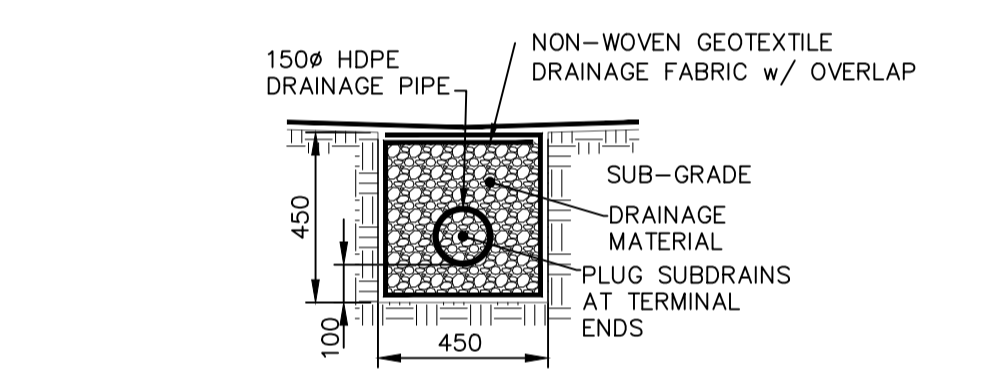
- NOTES:
- ALL WORK AND MATERIALS TO BE IN ACCORDANCE WITH THE LATEST REVISION OF THE CITY OF WINNIPEG STANDARD CONSTRUCTION SPECIFICATIONS.
 - CONTRACTOR TO CONFIRM THE LOCATION OF ALL UTILITIES/SERVICES IN THE FIELD PRIOR TO CONSTRUCTION.
 - ALL ROADWAY DIMENSIONS SHOWN ARE TO BACK OF CURB.
 - EXISTING ASPHALT TO BE PLANED AS SHOWN OR AS DIRECTED BY CONTRACT ADMINISTRATOR.
 - 150mm CONCRETE APRON, TEE AND MAIN APPROACHES AS DIRECTED BY CONTRACT ADMINISTRATOR.
 - EXISTING SIDEWALK TO BE RENEWED AS PER SD-228A AND AS DIRECTED BY CONTRACT ADMINISTRATOR.
 - PLANE/REMOVE EXISTING CURB AS DIRECTED BY CONTRACT ADMINISTRATOR.
 - ALL PRIVATE WALKWAYS TO BE ADJUSTED TO NEW SIDEWALK OR TOP OF CURB ELEVATION, AS DIRECTED BY THE CONTRACT ADMINISTRATOR.
 - PAVEMENT REPAIR FABRIC TO BE INSTALLED AS DIRECTED BY CONTRACT ADMINISTRATOR.
 - ALL EXISTING PRIVATE APPROACHES TO BE RENEWED AS DIRECTED BY CONTRACT ADMINISTRATOR.
 - INSTALLATION OF MOUNTABLE LIP CURBS AND THEIR LIMITS THROUGH PRIVATE APPROACHES TO BE DETERMINED BY CONTRACT ADMINISTRATOR.
 - MODIFIED BARRIER CURB TO BE CONSTRUCTED AT ALL INTERSECTION RADI AND ALLEY RADI.
 - CONTRACTORS TO TAKE PRECAUTIONARY STEPS TO PROTECT EXISTING TREES WITHIN THE LIMITS OF CONSTRUCTION FROM DAMAGE FROM CONSTRUCTION ACTIVITIES AS OUTLINED IN THE SPECIFICATIONS.
 - LAMP STANDARDS, HYDRO POLES, AND ANCHORS THAT REQUIRE TEMPORARY SUPPORT, REMOVAL OR REPLACEMENT, TO BE DONE SO AT THE EXPENSE OF THE CONTRACTOR AS NECESSARY.
 - WHERE UNSTABLE SUB GRADE ARE ENCOUNTERED, ADDITIONAL EXCAVATION AND PLACEMENT OF SUBBASE AS DIRECTED BY CONTRACT ADMINISTRATOR.
 - ADJUSTMENTS TO PROPOSED CROSSFALL, WHERE REQUIRED, ARE TO BE DETERMINED BY CONTRACT ADMINISTRATOR TO SUIT EXISTING DRIVEWAYS, APPROACHES, GARAGE PADS AND YARDS.
 - ALL BOULEVARDS TO BE SODDED UNLESS OTHERWISE NOTED.
 - ADJUST ALL WATER VALVES, HYDRANTS, MANHOLES, AND CATCH BASINS IN WORK AREA TO GRADE.
 - REMOVE, ADJUST AND SUPPLY PRECAST SIDEWALK BLOCKS AS DIRECTED BY CONTRACT ADMINISTRATOR.



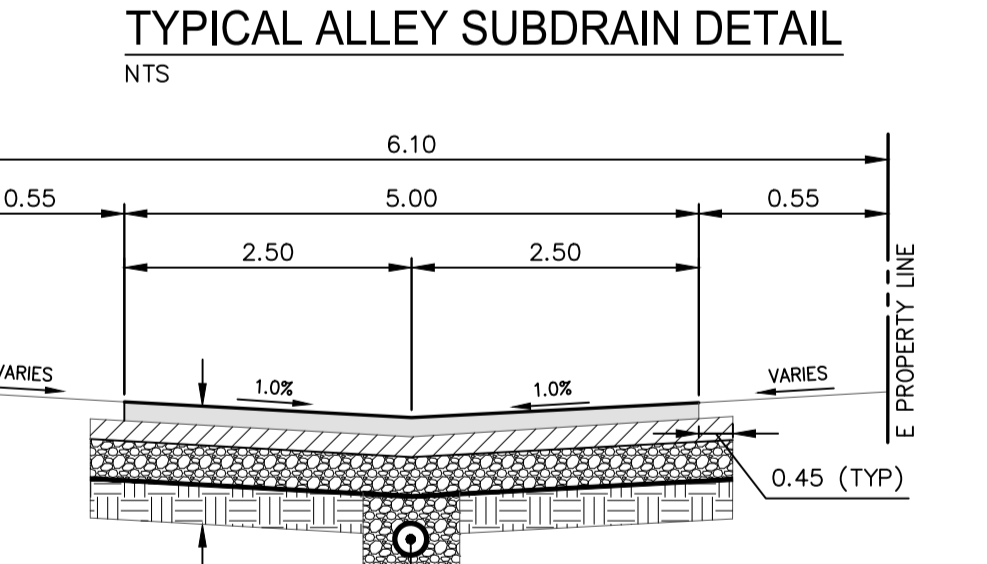
TYPICAL TEE CATCHBASIN APRON DETAIL
NTS



TYPICAL MOUNTABLE LIP CURB DETAIL
NTS



TYPICAL ALLEY SUBDRAIN DETAIL
NTS



TYPICAL CROSS-SECTION
NTS

Jul 21, 2022 - 6:30pm
 P:\2022\221-03150-00-03_Highways_Bridges\14.11_Highways_Bridges\14.11.06_Dwg\03_Work_Dwg\221-03150-00_Kavanagh_St_Plan_Profile.dwg - tab:541-2022_Drawing_221-03150-00-08-RB