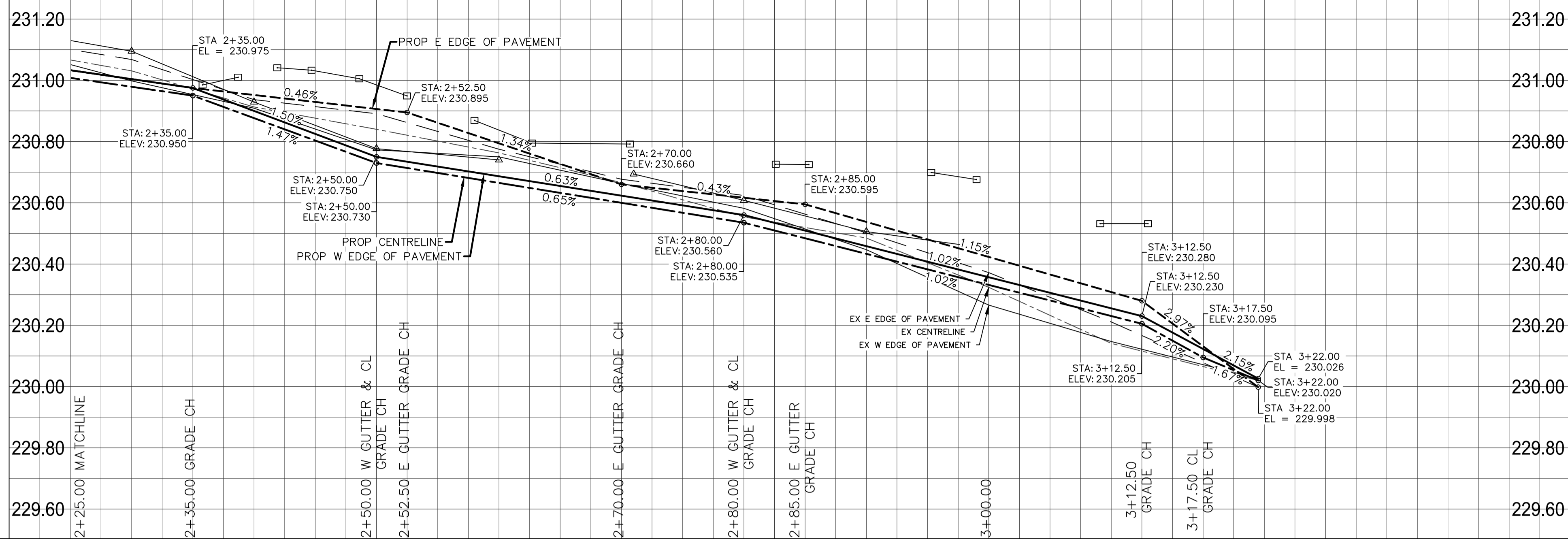
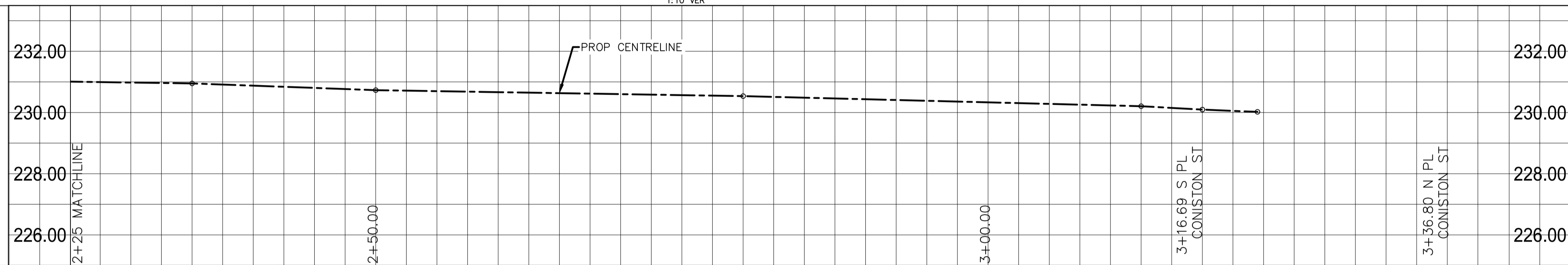


Jul 21, 2022 - 6:29pm
 F:\2022\221-03150-00 - 2022 TBO & Local Improvements\14.11 Highways_Bridges\14.11.06_Dwg\03_Work_Dwg\221-03150-00-02-02-RB
 P:\2022\221-03150-00 - 2022 TBO & Local Improvements\14.11 Highways_Bridges\14.11.06_Dwg\03_Work_Dwg\221-03150-00-01

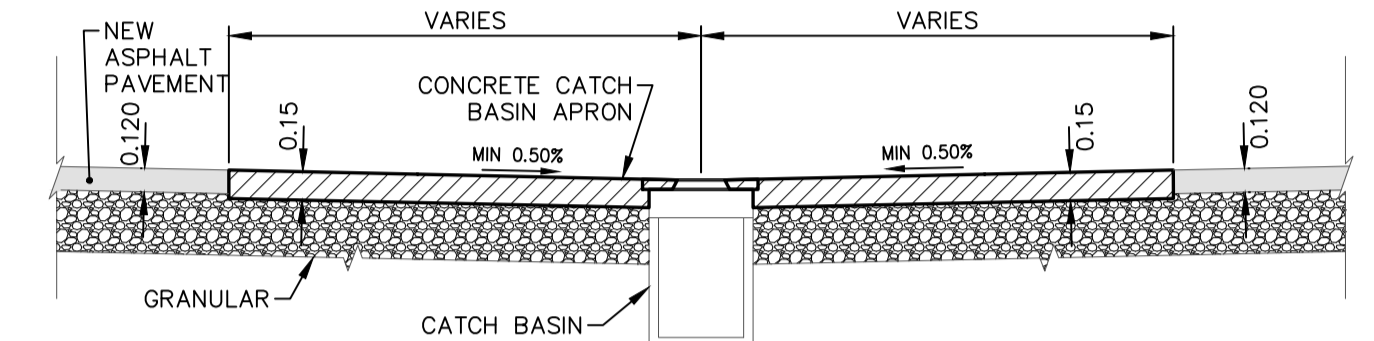


ALLEY PAVEMENT PROFILE
 SCALE: 1:250 HOR
 1:10 VER

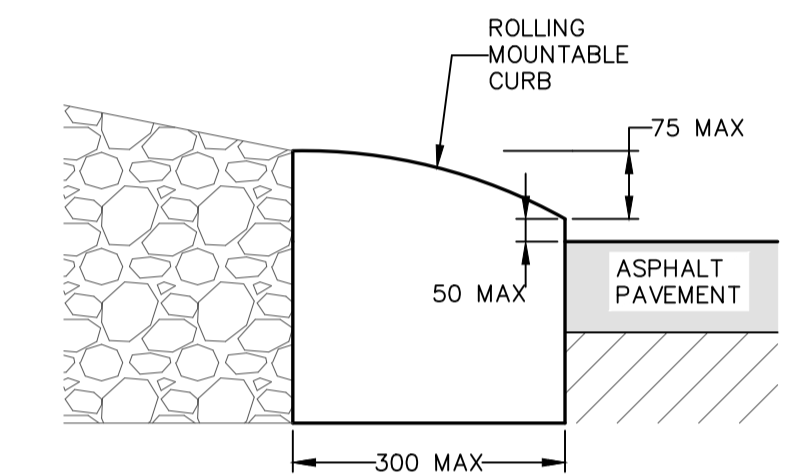


LAND DRAINAGE SEWER PROFILE
 SCALE: 1:250 HOR
 1:100 VER

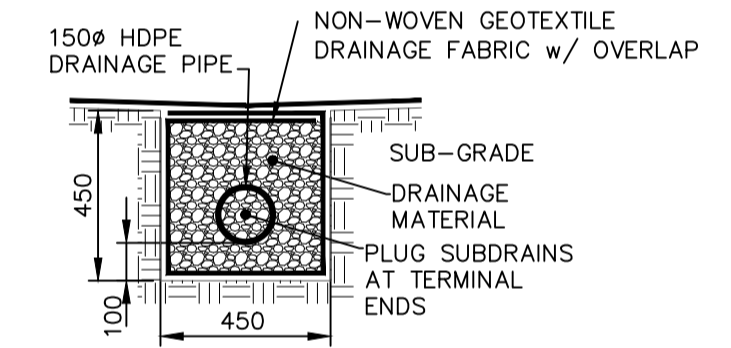
- NOTES:
1. ALL WORK AND MATERIALS TO BE IN ACCORDANCE WITH THE LATEST REVISION OF THE CITY OF WINNIPEG STANDARD CONSTRUCTION SPECIFICATIONS.
 2. CONTRACTOR TO CONFIRM THE LOCATION OF ALL UTILITIES/SERVICES IN THE FIELD PRIOR TO CONSTRUCTION.
 3. ALL ROADWAY DIMENSIONS SHOWN ARE TO BACK OF CURB.
 4. EXISTING ASPHALT TO BE PLANED AS SHOWN OR AS DIRECTED BY CONTRACT ADMINISTRATOR.
 5. 150mm CONCRETE APRON, TEE AND MAIN APPROACHES AS DIRECTED BY CONTRACT ADMINISTRATOR.
 6. EXISTING SIDEWALK TO BE RENEWED AS PER SD-228A AND AS DIRECTED BY CONTRACT ADMINISTRATOR.
 7. PLANE/RMOVE EXISTING CURB AS DIRECTED BY CONTRACT ADMINISTRATOR.
 8. ALL PRIVATE WALKWAYS TO BE ADJUSTED TO NEW SIDEWALK OR TOP OF CURB ELEVATION, AS DIRECTED BY THE CONTRACT ADMINISTRATOR.
 9. PAVEMENT REPAIR FABRIC TO BE INSTALLED AS DIRECTED BY CONTRACT ADMINISTRATOR.
 10. ALL EXISTING PRIVATE APPROACHES TO BE RENEWED AS DIRECTED BY CONTRACT ADMINISTRATOR.
 11. INSTALLATION OF MOUNTABLE LIP CURBS AND THEIR LIMITS THROUGH PRIVATE APPROACHES TO BE DETERMINED BY CONTRACT ADMINISTRATOR.
 12. MODIFIED BARRIER CURB TO BE CONSTRUCTED AT ALL INTERSECTION RADII AND ALLEY RADII
 13. CONTRACTORS TO TAKE PRECAUTIONARY STEPS TO PROTECT EXISTING TREES WITHIN THE LIMITS OF CONSTRUCTION FROM DAMAGE FROM CONSTRUCTION ACTIVITIES AS OUTLINED IN THE SPECIFICATIONS.
 14. LAMP STANDARDS, HYDRO POLES, AND ANCHORS THAT REQUIRE TEMPORARY SUPPORT, REMOVAL OR REPLACEMENT, TO BE DONE SO AT THE EXPENSE OF THE CONTRACTOR AS NECESSARY.
 15. WHERE UNSTABLE SUB GRADE ARE ENCOUNTERED, ADDITIONAL EXCAVATION AND PLACEMENT OF SUBBASE AS DIRECTED BY CONTRACT ADMINISTRATOR.
 16. ADJUSTMENTS TO PROPOSED CROSSFALL, WHERE REQUIRED, ARE TO BE DETERMINED BY CONTRACT ADMINISTRATOR TO SUIT EXISTING DRIVEWAYS, APPROACHES, GARAGE PADS AND YARDS.
 17. ALL BOULEVARDS TO BE SODDED UNLESS OTHERWISE NOTED.
 18. ADJUST ALL WATER VALVES, HYDRANTS, MANHOLES, AND CATCH BASINS IN WORK AREA TO GRADE.
 19. REMOVE, ADJUST AND SUPPLY PRECAST SIDEWALK BLOCKS AS DIRECTED BY CONTRACT ADMINISTRATOR.



TYPICAL TEE CATCHBASIN APRON DETAIL
 NTS

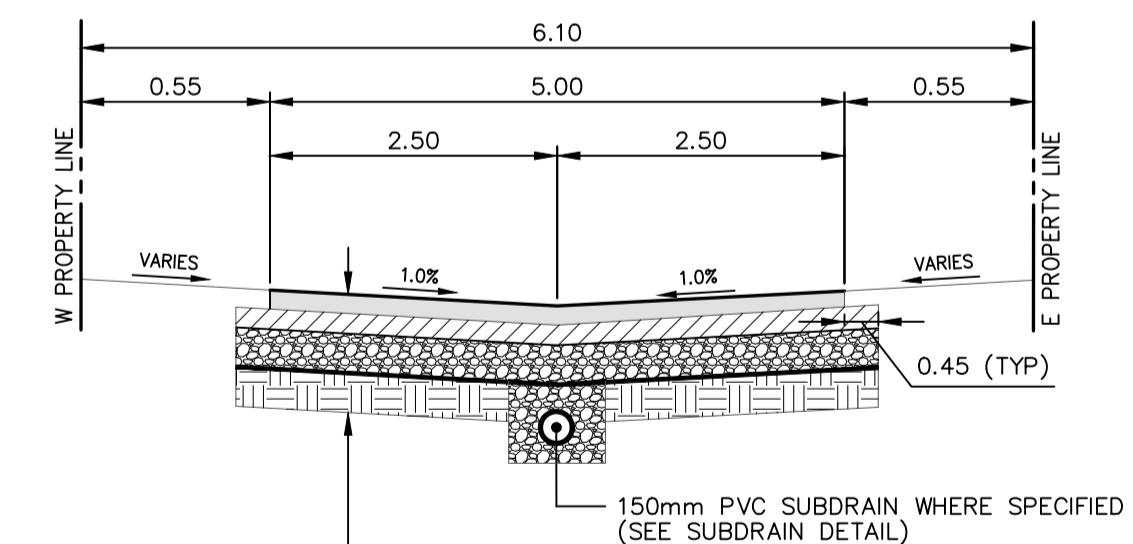


TYPICAL MOUNTABLE LIP CURB DETAIL
 NTS



- REFERENCE SPECIFICATIONS
1. SUB-GRADE, SUB-BASE AND BASE MATERIAL SHALL BE SUPPLIED AND PLACED IN ACCORDANCE WITH CW-3110
 2. INSTALLATION OF SUBDRAINS SHALL BE IN ACCORDANCE WITH CW-3120
 3. DRAINAGE GEOTEXTILE FABRIC AND DRAINAGE PIPE SHALL CONFORM TO "APPROVED PRODUCTS FOR SURFACE WORKS"

TYPICAL ALLEY SUBDRAIN DETAIL
 NTS

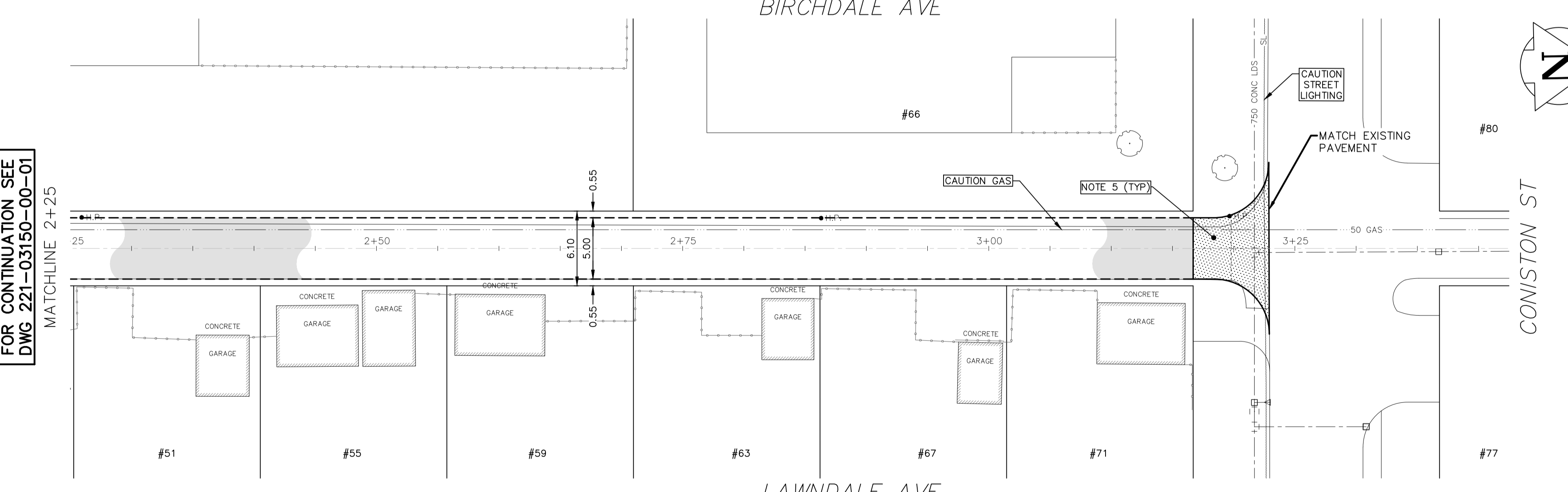


- 50mm TYPE 1A ASPHALT PAVEMENT
- 70mm TYPE III ASPHALT PAVEMENT
- 100mm BASE COURSE (GRANULAR 'A')
- 300mm - 100mm SUBBASE (GRANULAR 'B')
- SUBGRADE CLASS 'A' GEOGRID
- SEPARATION GEOTEXTILE ON PREPARED SUBGRADE

TYPICAL CROSS-SECTION
 NTS

METRIC FOR TENDER PURPOSES ONLY
 WHOLE NUMBERS INDICATE MILLIMETRES
 DECIMALIZED NUMBERS INDICATE METRES
NOT FOR CONSTRUCTION

**ENGINEERS
 GEOSCIENTISTS
 MANITOBA**
 Certificate of Authorization
 WSP Canada Inc.
 No. 5750



NOTE: CHAINAGES SHOWN ARE ALONG
 CL OF RIGHT-OF-WAY

SIGNED BY:	DATE:
AB	

LOCATIONS APPROVED UNDERGROUND STRUCTURES
 LOCATION OF UNDERGROUND STRUCTURES AS SHOWN ARE BASED ON THE BEST INFORMATION AVAILABLE BUT NO GUARANTEE IS GIVEN THAT ALL EXISTING UTILITIES ARE SHOWN OR THAT THE GIVEN LOCATIONS ARE EXACT CONFIRMATION OF EXISTENCE AND EXACT LOCATION OF ALL SERVICES MUST BE OBTAINED FROM THE INDIVIDUAL UTILITIES BEFORE PROCEEDING

NO.	REVISIONS	DATE	BY

DESIGNED BY	CHECKED BY	DATE
AB	KG	JULY 2022

WSP Canada Inc.
 Suite 111 - 93 Lombard Ave
 Winnipeg, MB R3B 3B1
 t. 204.943.3178
 f. 204.943.4948
 www.wsp.com

THE CITY OF WINNIPEG
 PUBLIC WORKS DEPARTMENT
 ENGINEERING SERVICES DIVISION

2022 TBO & LOCAL IMPROVEMENTS
 BIRCHDALE AVE/LAWNDALE AVE ALLEY
 ASPHALT ALLEY RECONSTRUCTION
 STA. 2+25 TO STA. 3+22 (CONISTON ST)

CITY DRAWING NUMBER: 221-03150-00-02
 SHEET 02 OF 12
 TENDER NO. 541-2022

EXISTING	PROPOSED	EXISTING	PROPOSED	EXISTING	PROPOSED	EXISTING	PROPOSED
WATER MAIN	---	IRON BAR	⊕	HYDRO POLE & LIGHT STANDARD	⊕		
LAND DRAINAGE SEWER	---	HYDRO POLE	⊕	LIGHT STANDARD OR TRAFFIC SIGNAL	⊕		
WASTE WATER SEWER	---	CURB RAMP	⊕				
HYDRO BELL/MTS	⊕	DETECTABLE WARNING SURFACE TILE	⊕				
GAS SIGNALS	⊕	EDGE OF SIDEWALK	---				
MANHOLE	⊕	FENCE	---				
CATCH BASIN	⊕	PROPERTY LINE	---				
CURB INLET	⊕	EDGE OF ASPHALT	---				
UTILITIES ADJUSTED	⊕	EDGE OF CONCRETE	---				
PLUG	⊕	MODIFIED BARRIER CURB	---				
HYDRANT	⊕	BARRIER CURB	---				
VALVE	⊕	BARRIER CURB AND GUTTER	---				
CURB STOP	⊕	CONC SIDEWALK	---				
GROUND GRADE (230.99)	---	CONCRETE SLAB	---	NORTH OR WEST SIDEWALK	---		
PAVEMENT GRADE (231.000)	---	ASPHALT	---	SOUTH OR EAST SIDEWALK	---		
ANCHOR	⊕	MILLED SURFACE	---	ROADWAY CENTRELINE	---		
CIVIC ADDRESS #111	---	PAVEMENT REPAIR FABRIC	---	NORTH OR WEST GUTTER	---		
EXISTING LEGEND-PLAN	---			SOUTH OR EAST GUTTER	---		