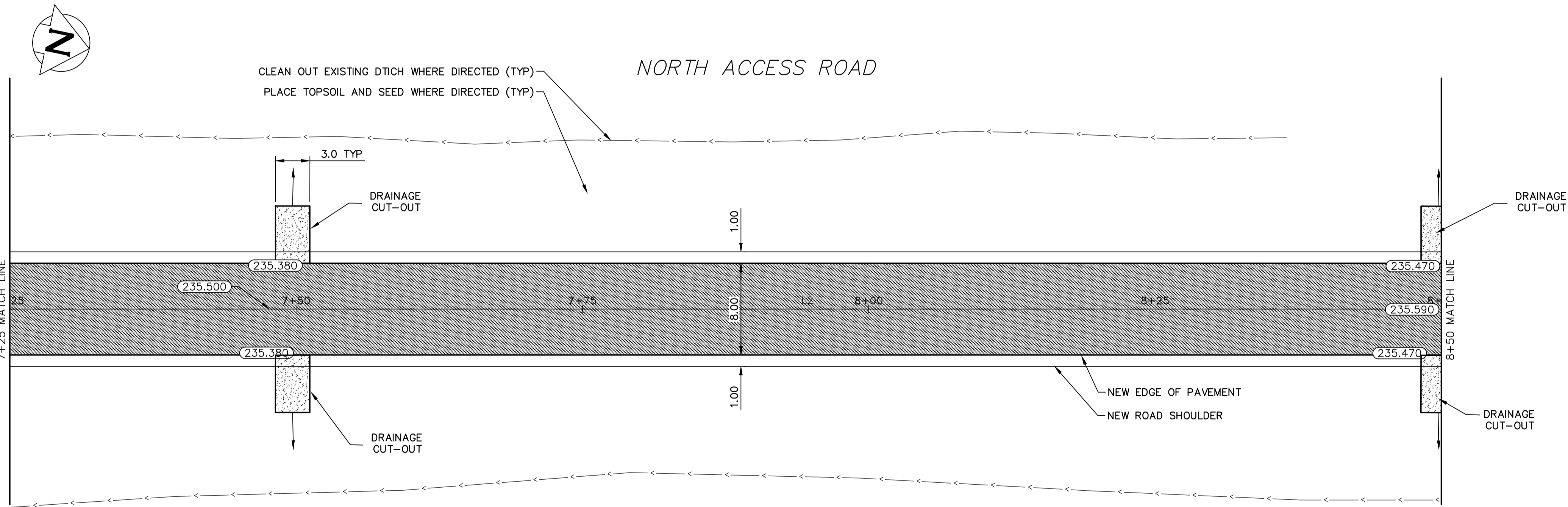
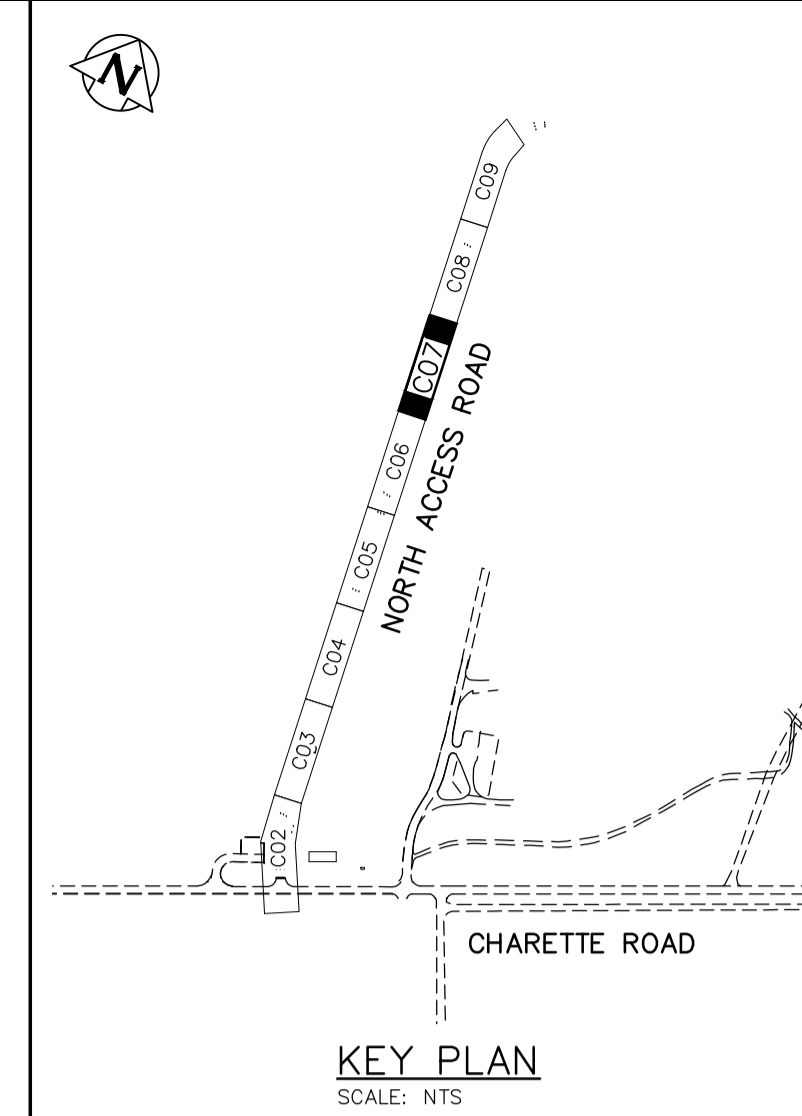
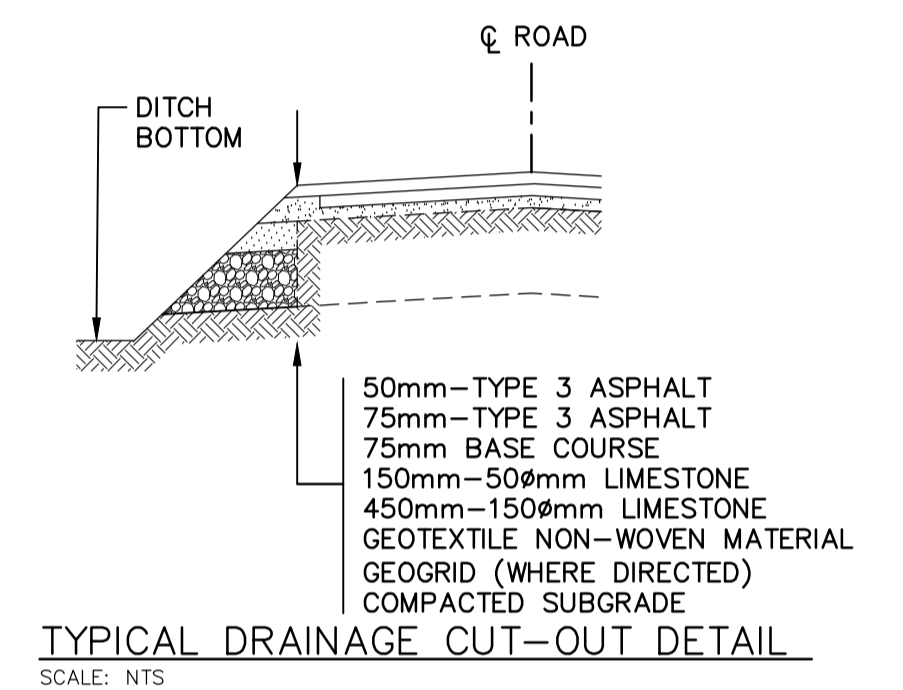


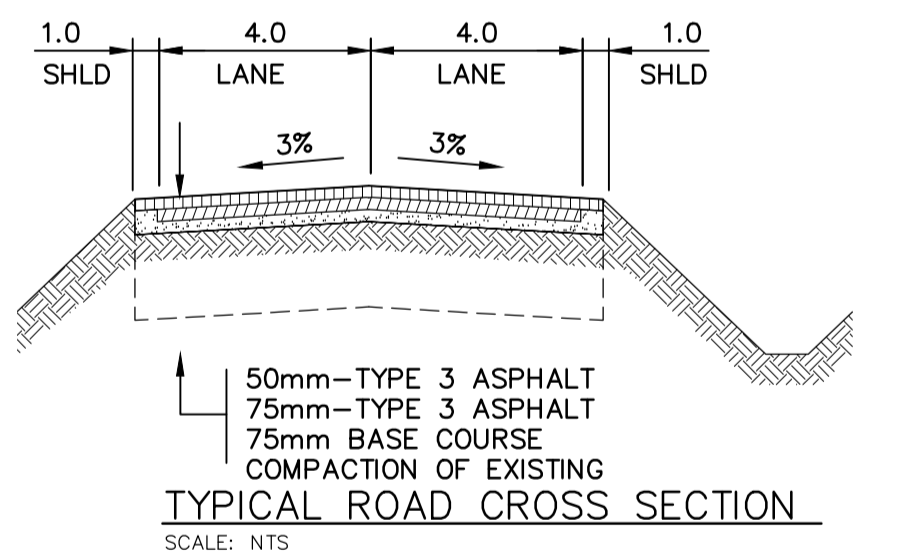
PROFILE
SCALE 1:250H 1:10V



PLAN
SCALE 1:250



TYPICAL DRAINAGE CUT-OUT DETAIL
SCALE: NTS



TYPICAL ROAD CROSS SECTION
SCALE: NTS

Curve #	Length	Radius	CHORD DIRECTION	START STATION	END STATION	START POINT	END POINT
C1	35.290	98.409	S22° 30' 47.50"E	1+67.20	2+02.66	N:5513366.358 E:629510.792	N:5513333.931E:629524.233
				10+48.64	11+37.55		

Line #	Length	Direction	START STATION	END STATION	START POINT	END POINT
L1	41.209	N32° 59' 37.59"W	1+25.94	1+67.20	N:5513299.368E:629546.673	N:5513333.931E:629524.233
L2	822.505	N11° 59' 00.54"W	2+02.66	10+48.64	N:5513366.354E:629510.792	N:5514170.934E:629340.015

PROPERTY LIMITS DELINEATION
DELINEATION OF PROPERTY LIMITS AS SHOWN ON THIS DWG DOES NOT REPRESENT A "LEGAL SURVEY". KGS GROUP MAKES NO REPRESENTATION OR WARRANTY AS TO THE ACCURACY OF PROPERTY LIMITS DELINEATED ON THIS DWG, NOR ON THE DIMENSIONAL ACCURACY OF DWG FEATURES RELATIVE TO THOSE PROPERTY LIMITS.

WARNING
IF POWER EQUIPMENT OR EXPLOSIVES ARE TO BE USED FOR EXCAVATION ON THIS PROJECT THE CONTRACTOR MUST:
1) NOTIFY THE GAS COMPANY OF THE PROPOSED LOCATION OF EXCAVATION.
2) TAKE PRECAUTION TO AVOID DAMAGE TO GAS COMPANY INSTALLATIONS.
SEE PROVINCIAL REGULATION 21072 FOR DETAILS

LOCATION APPROVED UNDERGROUND STRUCTURES
SUPV. U/G STRUCTURES COMMITTEE _____ DATE _____
NOTE:
LOCATION OF UNDERGROUND STRUCTURES AS SHOWN ARE BASED ON THE BEST INFORMATION AVAILABLE BUT NO GUARANTEE IS GIVEN THAT ALL EXISTING UTILITIES ARE SHOWN OR THAT THE GIVEN LOCATIONS ARE EXACT CONFIRMATION OF EXISTENCE AND EXACT LOCATION OF ALL SERVICES MUST BE OBTAINED FROM THE INDIVIDUAL UTILITIES BEFORE PROCEEDING WITH CONSTRUCTION.

B.M.	ELEV.	NO.	REVISIONS	DATE	BY
		0	ISSUED FOR TENDER	22/05/25	
		A	ISSUED FOR REVIEW	22/05/04	RP.

KGS GROUP		DESIGNED BY	RP.	CHECKED BY	
		DRAWN BY	RP.	APPROVED BY	
		SCALE:	HORIZONTAL 1:250	VERTICAL 1:10	
		DATE	2022 05 25	DATE	

ENGINEER'S SEAL
CONSULTANT DRAWING NUMBER
22-0107-001_C07

THE CITY OF WINNIPEG
WATER AND WASTE DEPARTMENT
ENGINEERING DIVISION
BRADY ROAD RESOURCE MANAGEMENT FACILITY
NORTH ACCESS ROAD RENEWAL
NORTH ACCESS ROAD
STA 7+25 TO STA 8+50
SHEET 8 OF 11
CITY DRAWING NUMBER
1-0400A-C0103-001

