

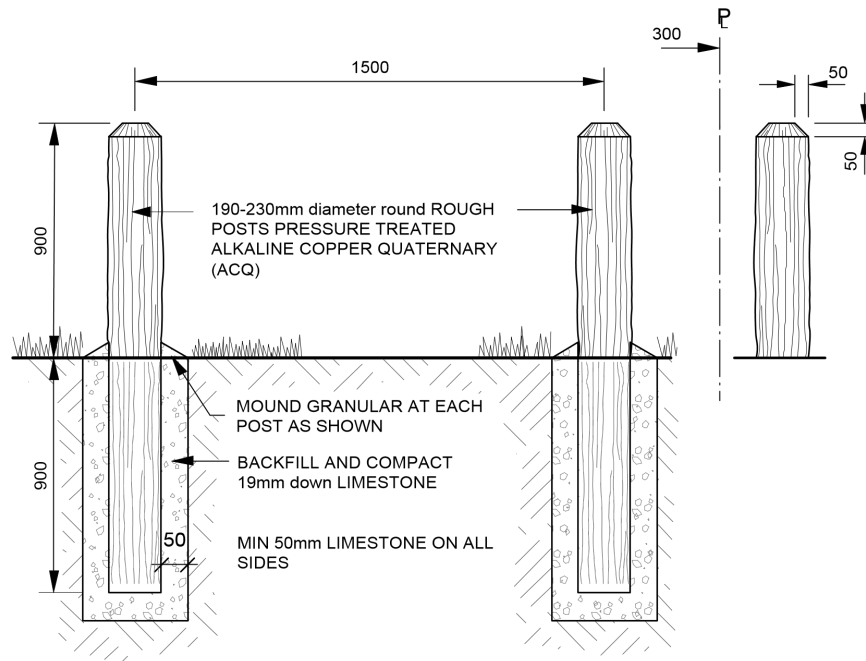
## **APPENDIX 'D' – STANDARD DETAILS**

Drawing Title:

**POST BOLLARD**

Drawing No.:

**SCD-105B**



**NOTE :**

- ALL POSTS THOROUGHLY TAMPED AND GRANULAR MOUNDED AT EACH POST FOR FUTURE SETTLING AND DRAINAGE AWAY FROM POST. SURPLUS EARTH TO BE LEGALLY DISPOSED OF.

- FENCE POSTS ARE TO FOLLOW THE NATURAL CONTOUR OF THE LAND EXCEPT FOR SMALL UNDULATIONS WHICH WOULD TEND TO REDUCE THE AESTHETIC APPEARANCE OF THE FINISHED PROJECT.

DIMENSIONS SHOWN ARE IN MILLIMETRES UNLESS OTHERWISE SPECIFIED

REVISION: 3  
DATE: July 12, 2013  
SCALE: N.T.S.  
DRAWN BY: SP

The City of Winnipeg  
Planning, Property and Development Department  
Planning and Land Use Division  
Unit 15 - 30 Fort Street, Winnipeg, MB, R3C 4X5

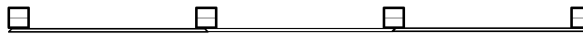
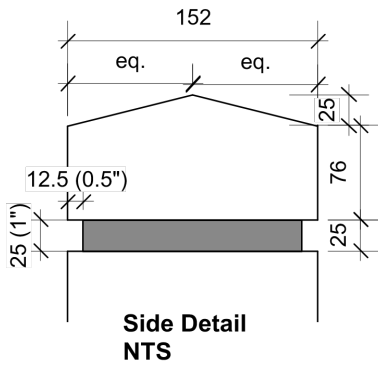


Drawing Title:

Drawing No:

**POST AND WOOD FENCING  
Heavy Duty**

**SCD-105F  
(Modified Detail)**



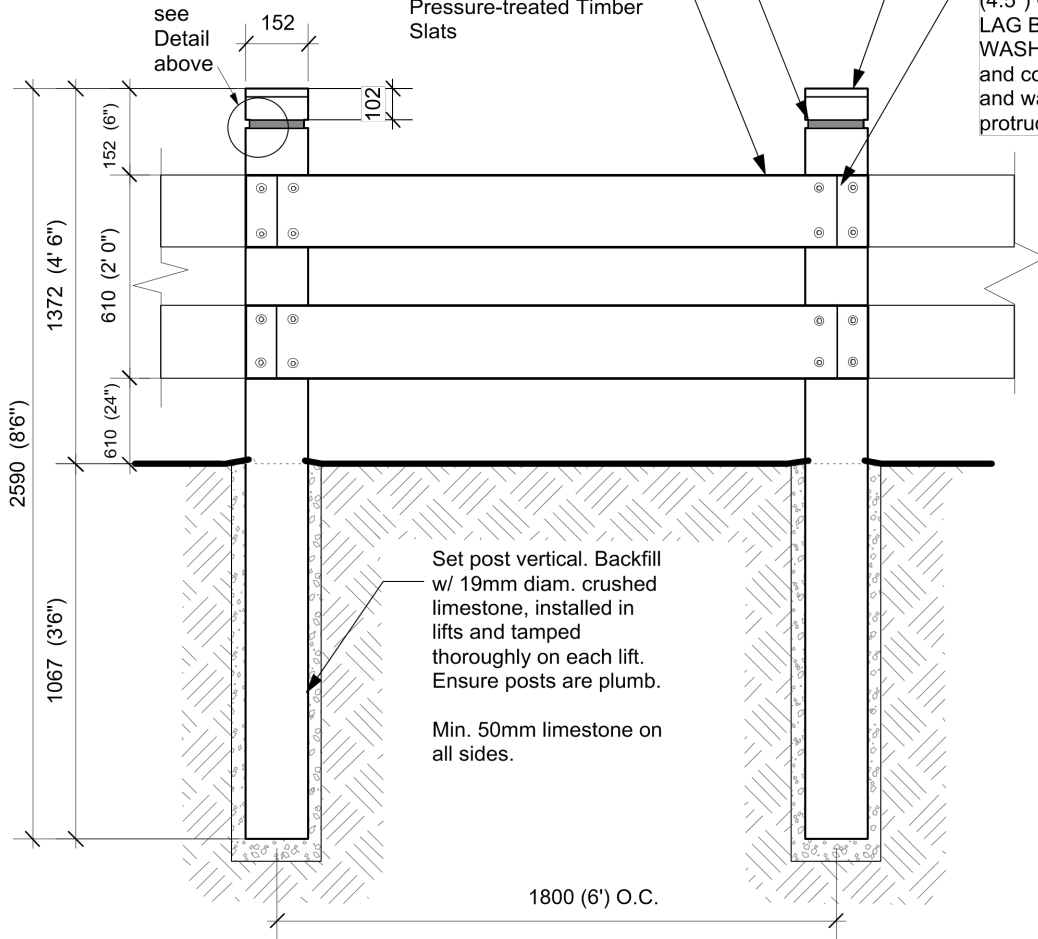
**Plan View  
NTS**

Routed Dado  
on all sides  
(see Detail)

38mm x 203mm (2"x8")  
Nominal Dimensioned  
Pressure-treated Timber  
Slats

152 x 152mm diameter  
x 1216mm tall (6" x 6" x  
8'0") Pressure-treated  
Timber c/w routed dado,  
Chamfered Edges  
and Sloped Top

13mm (1/2") x 114mm  
(4.5") GALVANIZED  
LAG BOLT and  
WASHER - predrilled  
and countersunk so bolt  
and washer do not  
protrude



DIMENSIONS SHOWN ARE IN MILLIMETRES UNLESS OTHERWISE SPECIFIED

DATE: June, 2019  
SCALE: N.T.S.

The City of Winnipeg  
Planning, Property and Development Department  
Planning and Land Use Division  
Unit 15 - 30 Fort Street, Winnipeg, MB, R3C 4X5

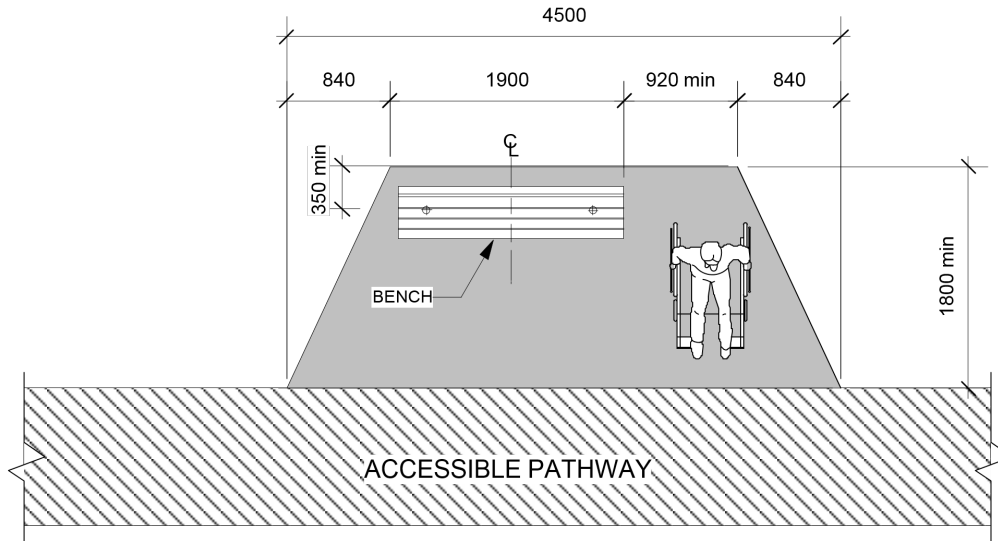


Drawing Title:

**ACCESSIBLE BENCH  
NODE & PICNIC TABLE LAYOUT**

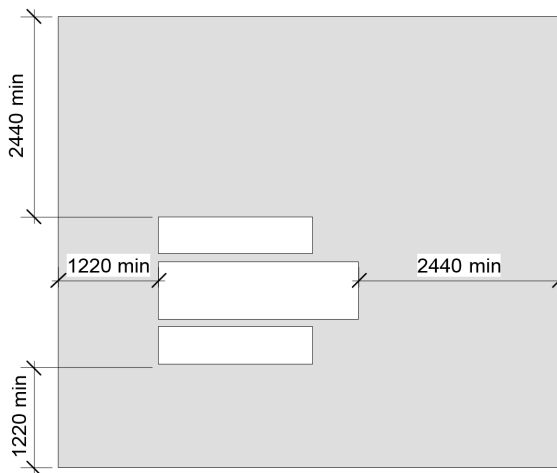
Drawing No.:

**SCD-136A**



**ACCESSIBLE BENCH NODE DETAIL**

NTS



ACCESSIBLE PICNIC TABLE  
MUST BE ADJACENT TO AN  
ACCESSIBLE PATHWAY

**PLAN VIEW OF PICNIC TABLE ON GRAVEL BASE**

NTS

DIMENSIONS SHOWN ARE IN MILLIMETRES UNLESS OTHERWISE SPECIFIED

REVISION: 2  
DATE: December 20, 2012  
SCALE: NTS  
DRAWN BY: SP

The City of Winnipeg  
Planning, Property and Development Department  
Planning and Land Use Division  
Unit 15 - 30 Fort Street, Winnipeg, MB, R3C 4X5



**MATERIALS**

**COMPOSITE SLATS:**

- 89mm x 89mm COMPOSITE BOARDS
- CEDAR TONE FINISH

**METAL OPTIONS:**

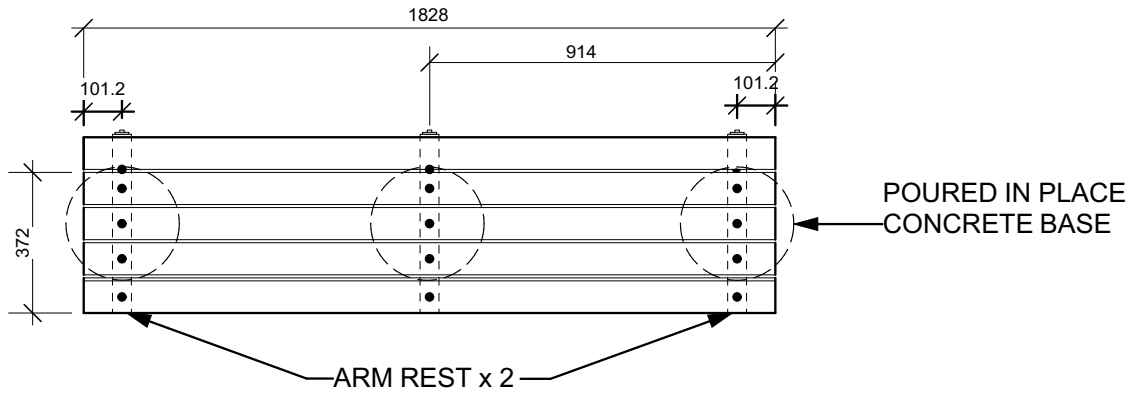
- GALVANIZED - Product # 52501085GLV

Drawing Title:

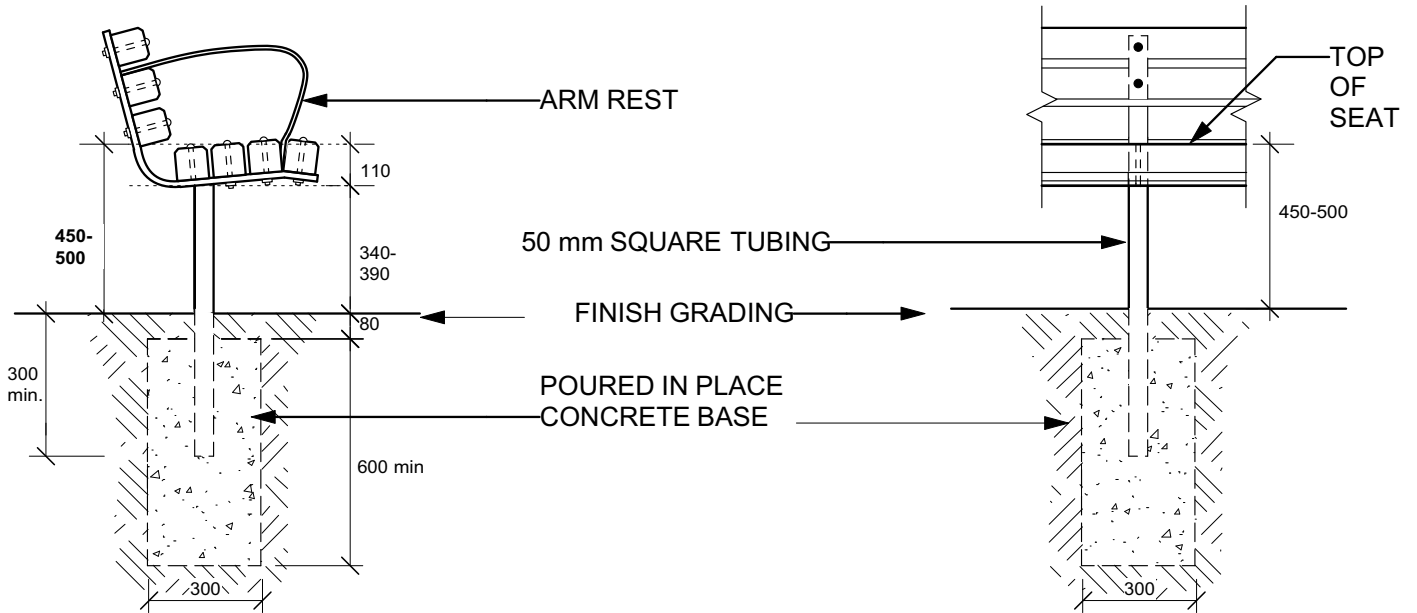
**TACHE BENCH COMPOSITE  
WITH ARMS**

Drawing No:

**SCD-121A**



**PLAN VIEW**



**SIDE ELEVATION**

**FRONT ELEVATION**

DIMENSIONS SHOWN ARE IN MILLIMETRES UNLESS OTHERWISE SPECIFIED

REVISION: 3  
DATE: August 06, 2020  
SCALE: NTS  
DRAWN BY: GZ

The City of Winnipeg  
Planning, Property and Development Department  
Planning and Land Use Division  
Unit 15 - 30 Fort Street, Winnipeg, MB, R3C 4X5

