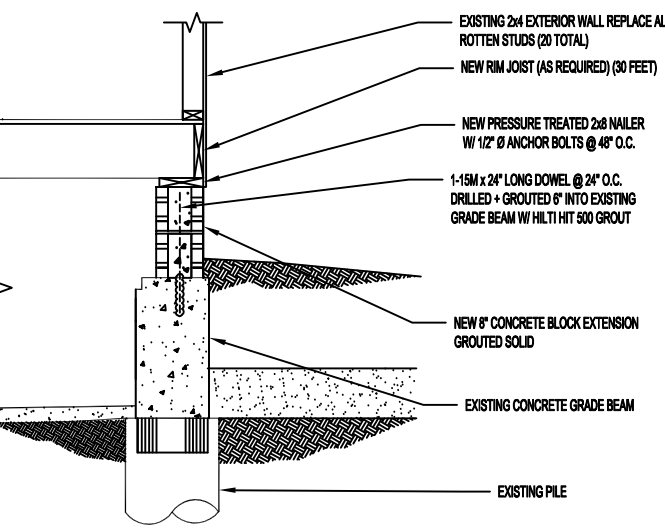
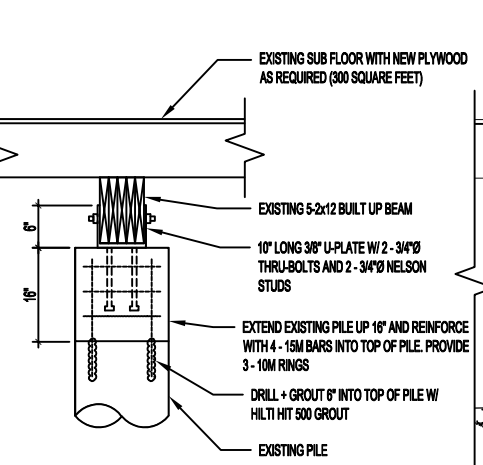
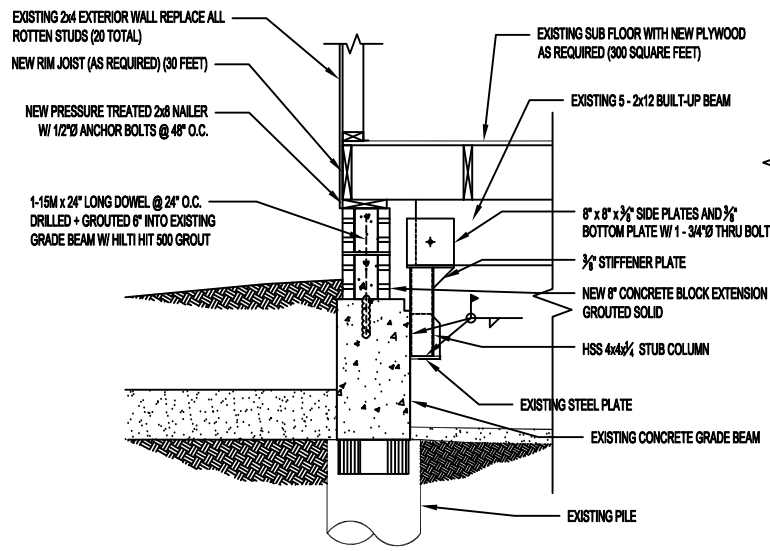


1 DEMOLITION DETAIL S1 SCALE: 3/4"=1'-0"

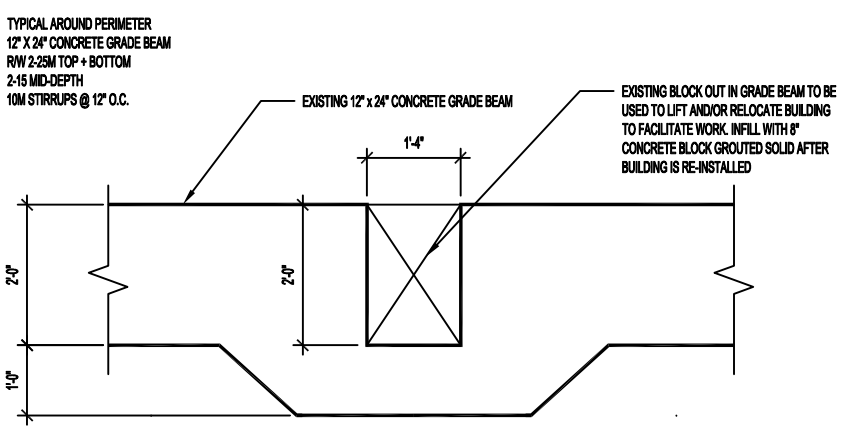
2 DEMOLITION DETAIL S1 SCALE: 3/4"=1'-0"



3 CONSTRUCTION DETAIL S1 SCALE: 3/4"=1'-0"

4 CONSTRUCTION DETAIL S1 SCALE: 3/4"=1'-0"

5 CONSTRUCTION DETAIL S1 SCALE: 3/4"=1'-0"



6 EXISTING BLOCK-OUT DETAIL S1 SCALE: 3/4"=1'-0"

GENERAL

1. THE BUILDING STRUCTURE AND FOUNDATION IS IN ACCORDANCE WITH THE 2011 EDITION OF THE MANITOBA BUILDING CODE.
2. THE CONTRACTOR SHALL BE RESPONSIBLE FOR THE DESIGN AND INSTALLATION OF ALL NECESSARY SHORING, BRACING AND FORMWORK. FORMWORK FOR NEW CONSTRUCTION SHALL BE BRIDGED OVER EXISTING SERVICES.
3. ERRORS IN DRAWINGS AND/OR SPECIFICATIONS AND/OR PREVIOUSLY UNKNOWN EXISTING CONDITIONS SHALL BE BROUGHT TO THE ATTENTION OF THE CONTRACT ADMINISTRATOR BEFORE PROCEEDING WITH THE WORK. DURING THE BID OPPORTUNITY STAGE, CONTRACTOR SHALL REQUEST AN INTERPRETATION OF CONFLICTS PRIOR TO BID OPPORTUNITY. IF NO REQUEST IS MADE, BOTH PROVISIONS SHALL BE PRESUMED TO BE INCLUDED IN THE BID OPPORTUNITY AND THE CONTRACT ADMINISTRATOR SHALL DETERMINE WHICH PROVISION GOVERNS, AND THE CONTRACTOR SHALL PERFORM THE WORK AT NO ADDITIONAL COST TO THE CITY OF WINNIPEG.
4. ANY UNSOUND STRUCTURAL CONDITIONS OBSERVED OR CREATED DURING CONSTRUCTION ARE TO BE REPORTED TO CONTRACT ADMINISTRATOR IMMEDIATELY.
5. CONFIRM THE LOCATION OF ALL SUB-GRADE SERVICES PRIOR TO COMMENCING SITE WORK.
6. VERIFY ALL DIMENSIONS AND ELEVATIONS PRIOR TO CONSTRUCTION. ANY DISCREPANCIES TO BE REPORTED TO CONTRACT ADMINISTRATOR IMMEDIATELY. DO NOT SCALE DRAWINGS.
7. CONFIRM ALL EXISTING CONDITIONS PRIOR TO CONSTRUCTION. ANY DISCREPANCIES OR CONFLICTS TO BE REPORTED TO CONTRACT ADMINISTRATOR IMMEDIATELY.

REINFORCING STEEL

1. ALL BARS TO CONFORM TO CSA G30.18-M82: 15M BARS AND LARGER TO BE GRADE 400 15M BARS AND SUPPORTING RODS TO BE GRADE 300 OR BETTER
2. ALL REINFORCING STEEL SHALL BE CLEANED OF ALL DIRT, GREASE AND OTHER DELETERIOUS MATERIALS PRIOR TO PLACING.
3. ALL REINFORCING SHALL BE NEW BILLET DEFORMED BARS.

MASONRY

1. CONCRETE BLOCKS TO CONFORM TO CSA A165.1-04.
2. MASONRY WALLS TO BE BUILT WITH TYPE "S" MORTAR HAVING A MINIMUM STRENGTH OF 13 MPA @ 28 DAYS. MORTAR TO BE IN ACCORDANCE CSA A179-04.
3. COLD WEATHER CONSTRUCTION OF MASONRY SHALL CONFORM TO THE 2010 NATIONAL BUILDING CODE OF CANADA, WITH ADEQUATE PREHEATING OF MATERIALS, HOARDING AND HEATING DURING CONSTRUCTION AND THEREAFTER AS SPECIFIED. THE "TORCHING TECHNIQUE" WILL NOT BE PERMITTED UNDER ANY CIRCUMSTANCES.
4. MASONRY CONTRACTOR SHALL BE RESPONSIBLE FOR TEMPORARY BRACING OF ALL MASONRY COMPONENTS UNTIL ALL RELATED STRUCTURAL FRAMING HAS BEEN ERECTED AND COMPLETELY INSTALLED.
5. CONCRETE BLOCKS TO BE MIN. H151/AM UNLESS NOTED.
6. ENSURE MASONRY CORES FILLED WITH CONCRETE AT ANCHOR LOCATIONS.

EXISTING FOUNDATION AND MAIN FLOOR FRAMING PLAN
SCALE: 1/4"=1'-0"

DESIGN LOADS:
FLOOR: LIVE LOAD = 50 PSF
DEAD LOAD = 15 PSF

ROOF: SNOW LOAD = 36 PSF
DEAD LOAD = 15 PSF

| No. | REVISION/DESCRIPTION | BY | DATE |
|-----|---|----|------------|
| 0 | ISSUED FOR CONSTRUCTION - FOUNDATION ONLY | SB | 2022-06-02 |

SEAL

DRAWN: SB
CHECKED: BDN
DESIGNED: BDN
APPROVED: BDN
DATE: 2022.06.02
USER: APPROVAL

THE CITY OF WINNIPEG
PLANNING, PROPERTY AND
DEVELOPMENT DEPARTMENT
MUNICIPAL ACCOMMODATIONS DIVISION
3-65 GARRY STREET, R3C 4K4

PROJECT
WPS VEHICLE INSPECTION FACILITY

44 BANGOR AVENUE
SHEET TITLE

**MAIN FLOOR PLAN
FOUNDATION DETAILS**