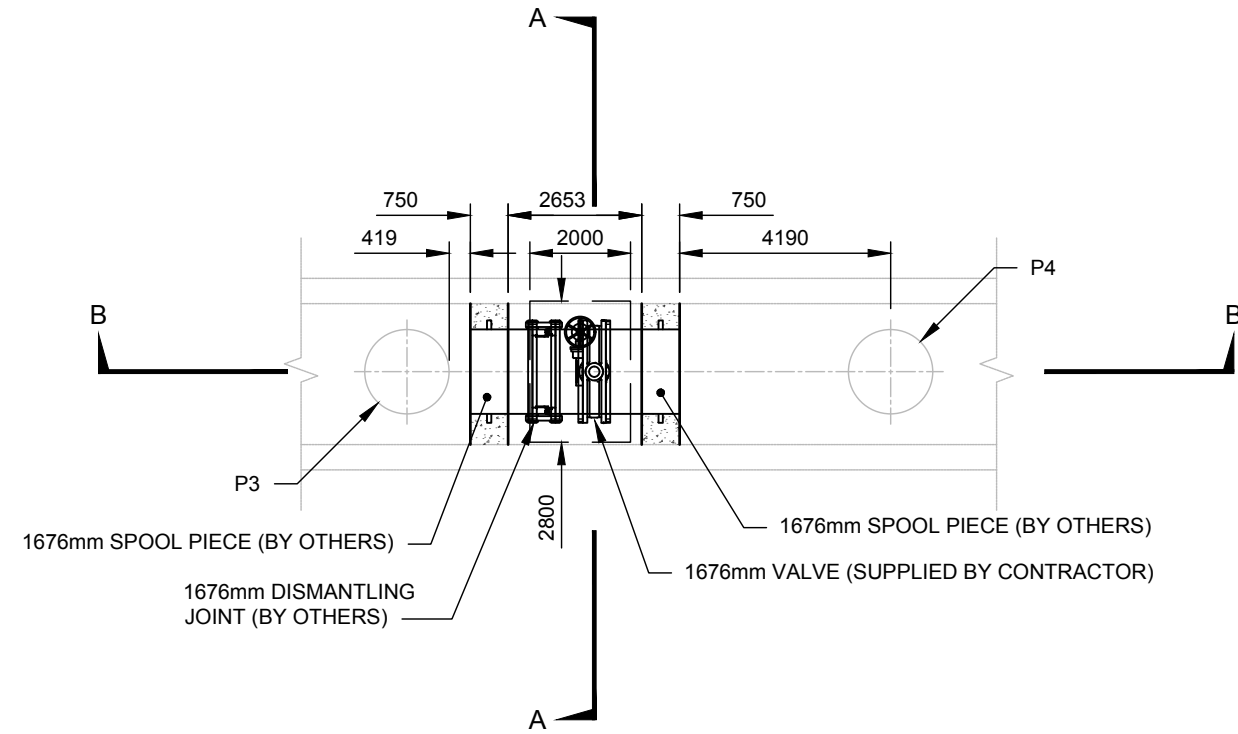
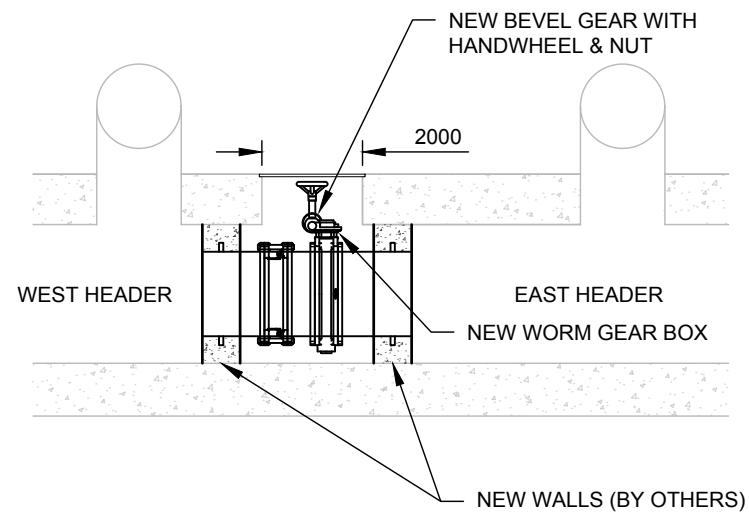


Last saved by: LEIPPIA(2022-03-23) Last Plotted: 2022-03-23
 Filename: C:\USERS\LEIPPIA\DOCUMENTS\WORK FROM HOME\60532607\900-CAD_GIS\910-CAD\20-SHEETS\TASK 16\60532607-SHT-30-TASK16-C-1000.DWG
 Project Management Initials: Designer: Checked: Approved: ANSI B 279.4mm x 431.8mm

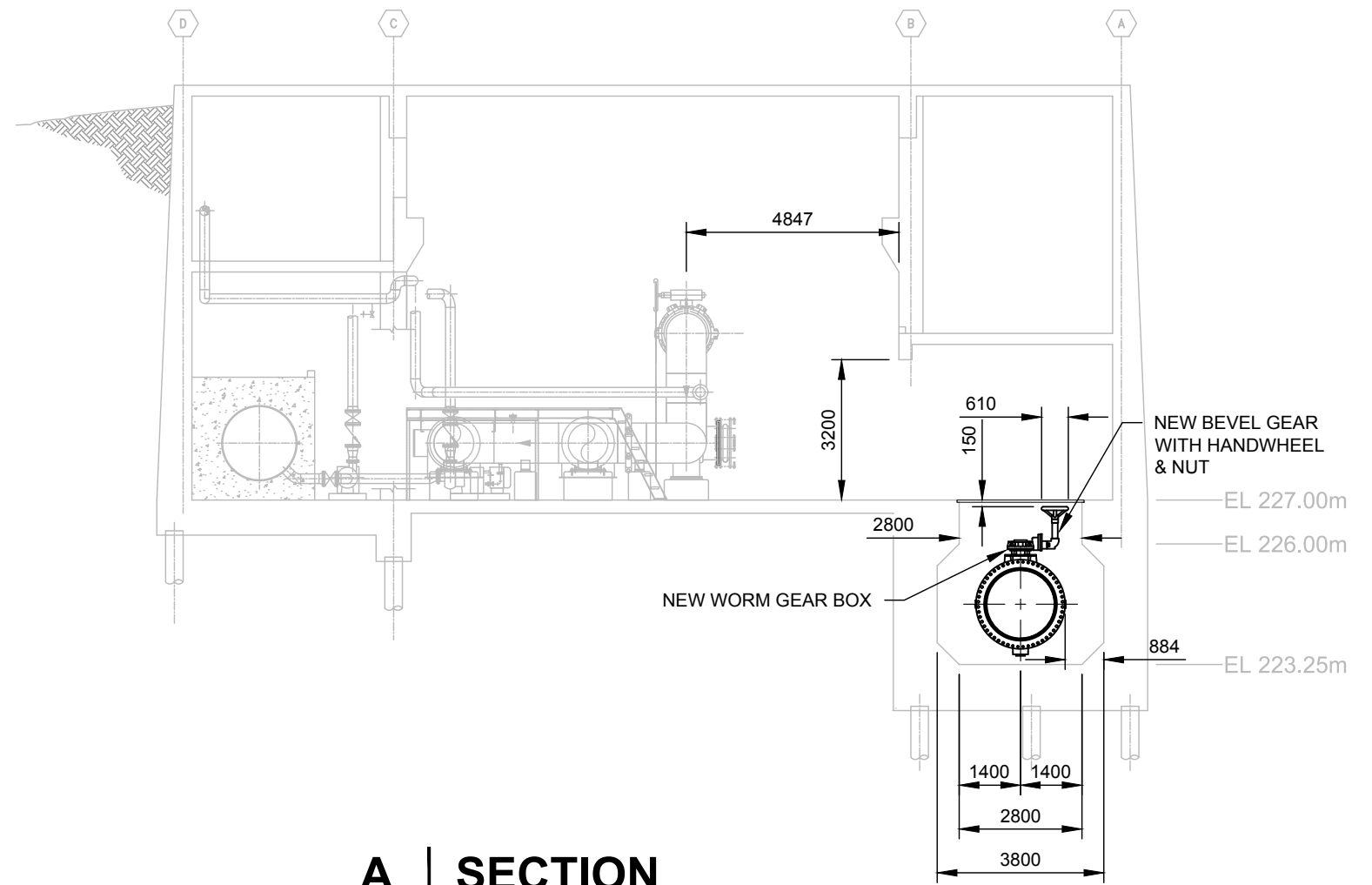


DETAIL

PLAN BELOW EL 226.00m



B SECTION



A SECTION

