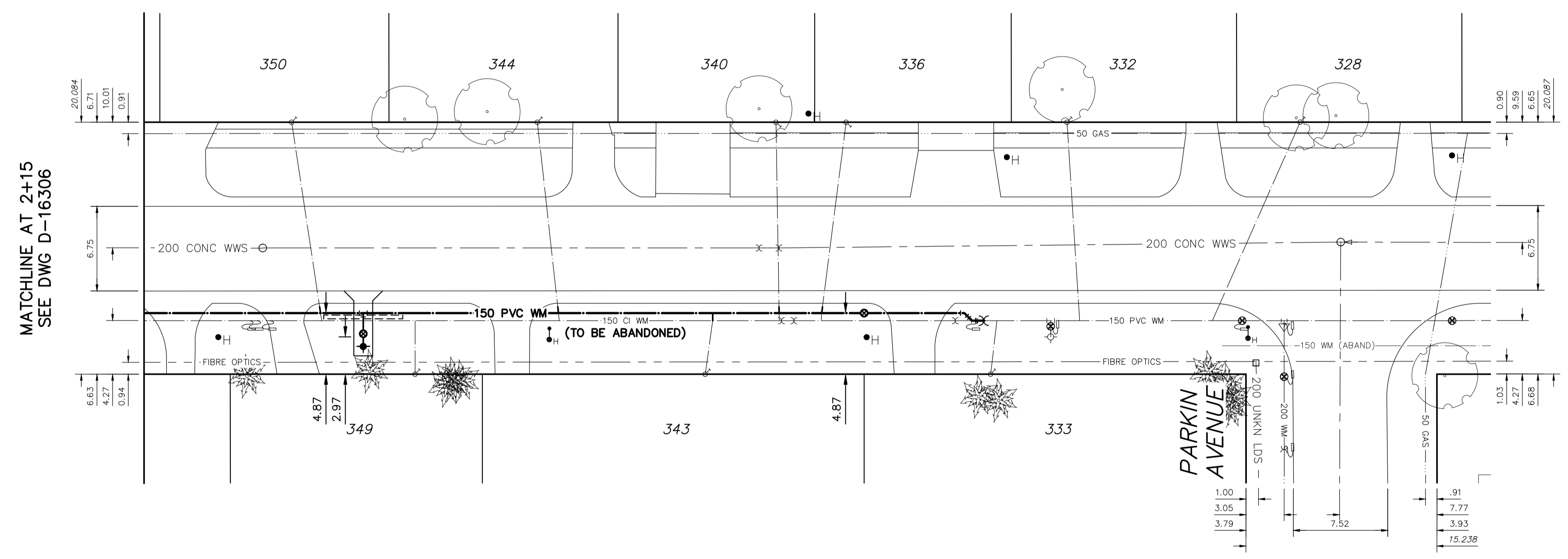


NOTE: CHAINAGES SHOWN ARE ALONG E. ℓ OF LAXDAL ROAD

NOTE: ANY DAMAGE TO THE EXISTING CHIPSEAL SURFACE WILL BE REPAIRED BY THE CONTRACTOR AT THEIR COST.



LAXDAL ROAD



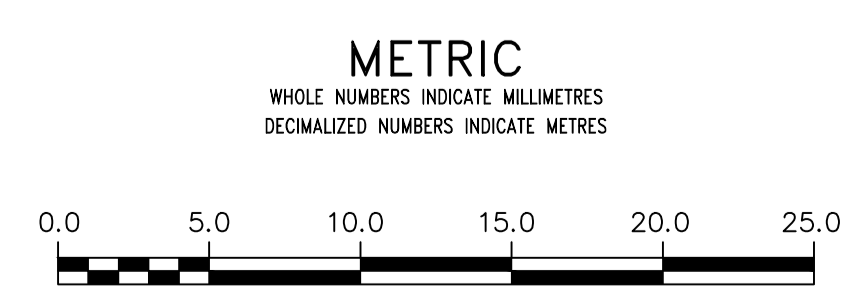
WATER SERVICE INFORMATION

ADDRESS	SIZE (mm) MATERIAL (STREET)	SIZE (mm) MATERIAL (PROP.)	SHORT & LONG MEASUREMENT	CORP. LOCATION	REMARKS
336 LAXDAL ROAD RESIDENTIAL	50 CU	50 CU	3.4m S/NLL OF 343 LAXDAL	OPP OF S/C	RECONNECT SERVICE
340 LAXDAL ROAD RESIDENTIAL	20 CU	20 CU	1.9m SNBL	1.3m SNBL	RECONNECT SERVICE
343 LAXDAL ROAD RESIDENTIAL	UNKN UNKN	UNKN UNKN	6' SNHL	UNKN	RECONNECT SERVICE
344 LAXDAL ROAD RESIDENTIAL	UNKN UNKN	UNKN UNKN	12.5' SNHL	UNKN	RECONNECT SERVICE
349 LAXDAL ROAD RESIDENTIAL	UNKN UNKN	UNKN UNKN	15' SNHL	UNKN	RECONNECT SERVICE
350 LAXDAL ROAD RESIDENTIAL	UNKN UNKN	UNKN UNKN	19' SNHL	UNKN	RECONNECT SERVICE

*SERVICES TO BE RENEWED TO ℓ . ALL OTHERS TO BE RECONNECTED

MATCHLINE AT 2+15 SEE DWG D-16306

NOTE: ALL VALVES TO BE INSTALLED CLOCKWISE TO CLOSE



WARNING
IF POWER EQUIPMENT OR EXPLOSIVES ARE TO BE USED FOR EXCAVATION ON THIS PROJECT THE CONTRACTOR MUST:
1) NOTIFY THE GAS COMPANY OF THE PROPOSED LOCATION OF EXCAVATION.
2) TAKE PRECAUTION TO AVOID DAMAGE TO GAS COMPANY INSTALLATIONS.
SEE PROVINCIAL REGULATION 21072 FOR DETAILS

LOCATION APPROVED UNDERGROUND STRUCTURES
SUPV. U/G STRUCTURES COMMITTEE DATE
NOTE:
LOCATION OF UNDERGROUND STRUCTURES AS SHOWN ARE BASED ON THE BEST INFORMATION AVAILABLE BUT NO GUARANTEE IS GIVEN THAT ALL EXISTING UTILITIES ARE SHOWN OR THAT THE GIVEN LOCATIONS ARE EXACT. CONFIRMATION OF EXISTENCE AND EXACT LOCATION OF ALL SERVICES MUST BE OBTAINED FROM THE INDIVIDUAL UTILITIES BEFORE PROCEEDING WITH CONSTRUCTION.

B.M. ELEV.	NO.	REVISIONS	DATE	BY

wsp
111-93 Lombard Avenue
Winnipeg, Manitoba
R3B 3B1 Canada
Phone: 204-943-3178
Fax: 204-943-4948
wsp.com

DESIGNED BY	K.G.	CHECKED BY	S.M.
DRAWN BY	K.G.	APPROVED BY	S.M.
DATE	2022 04 14	RELEASED FOR CONSTRUCTION	

ENGINEER'S SEAL
S.C. MINTY
PROFESSIONAL ENGINEER
2022-04-14
CONSULTANT DRAWING NUMBER
221-01146-00-09

THE CITY OF WINNIPEG
WATER AND WASTE DEPARTMENT
ENGINEERING DIVISION
2022 WATER MAIN RENEWALS - CONTRACT 9
LAXDAL ROAD
57.5M SSL GERALDINE DRIVE
20.9M SSL PARKIN AVENUE

SHEET 09 OF 11
CITY DRAWING NUMBER
D-16307

ENGINEERS GEOSCIENTISTS MANITOBA
Certificate of Authorization
WSP Canada Inc.
No. 5750