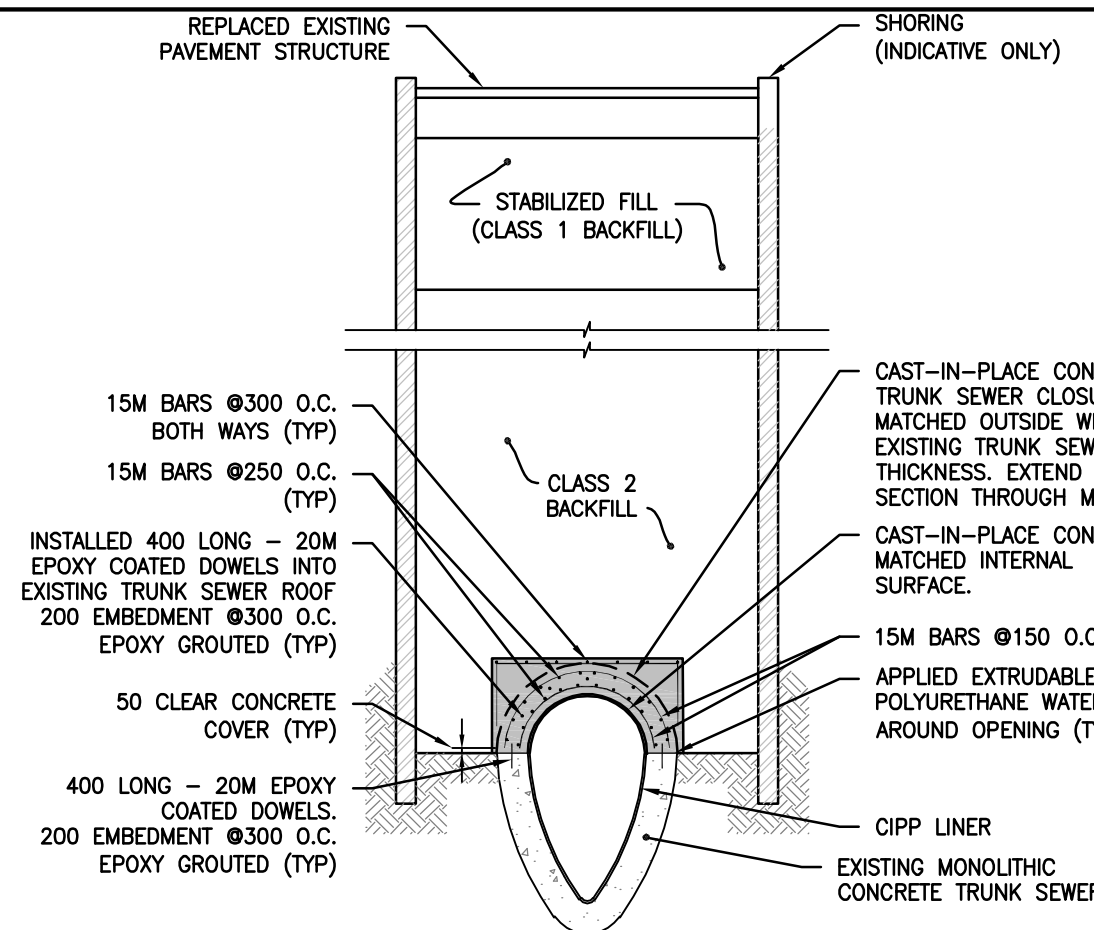
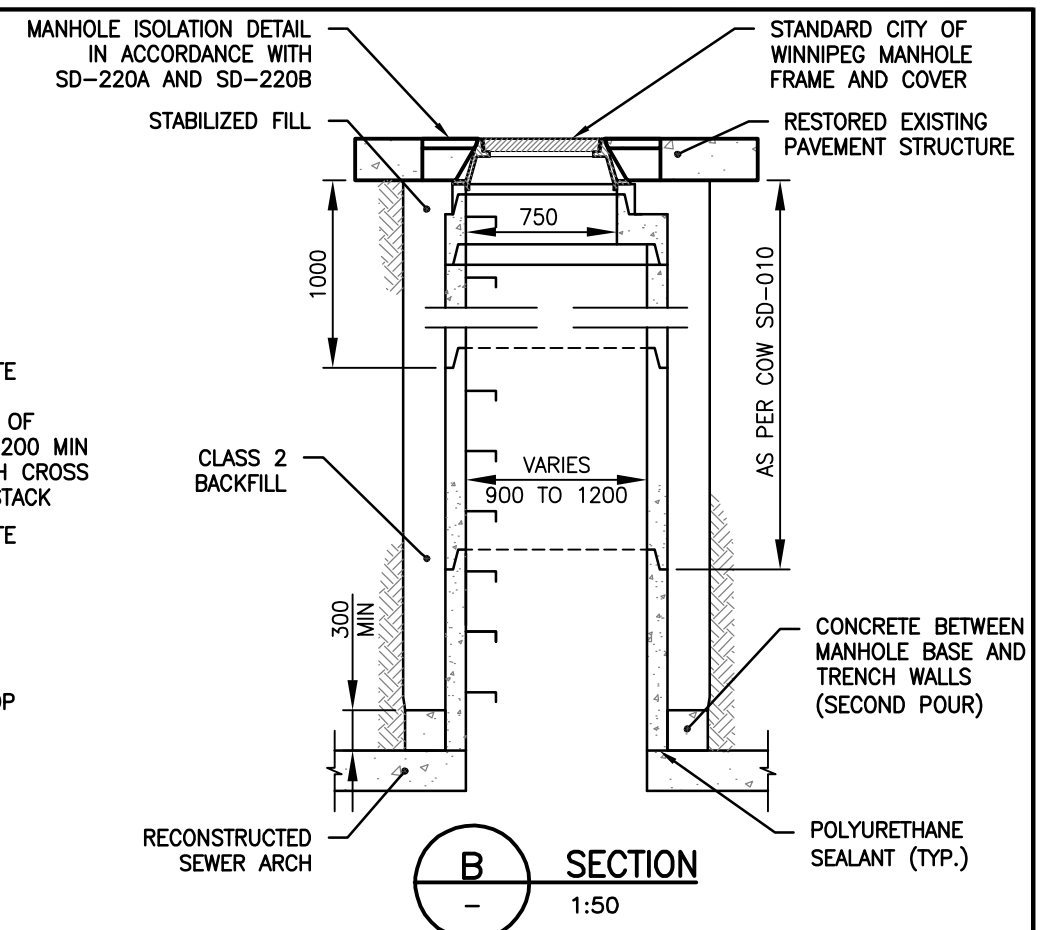


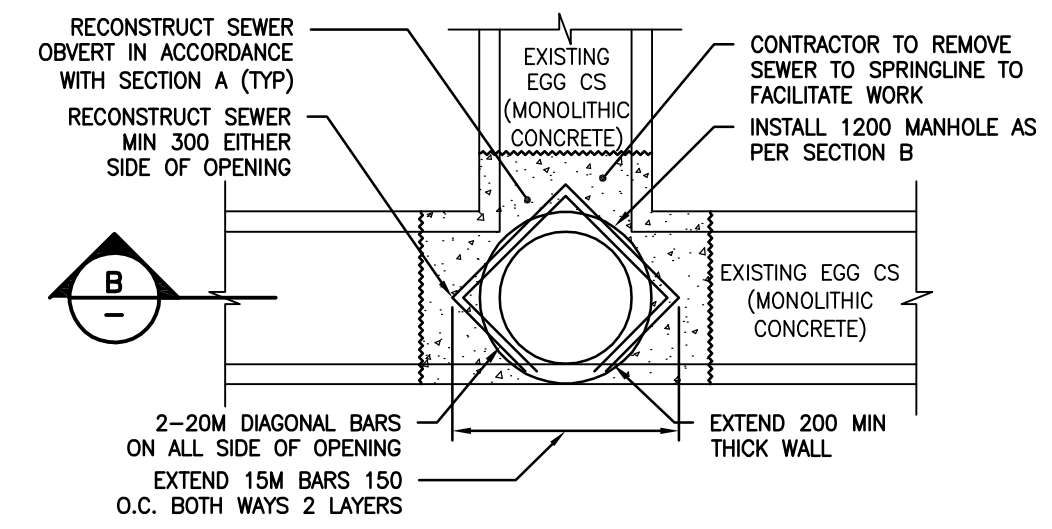
MID PIPE ACCESS SHAFT
N.T.S.



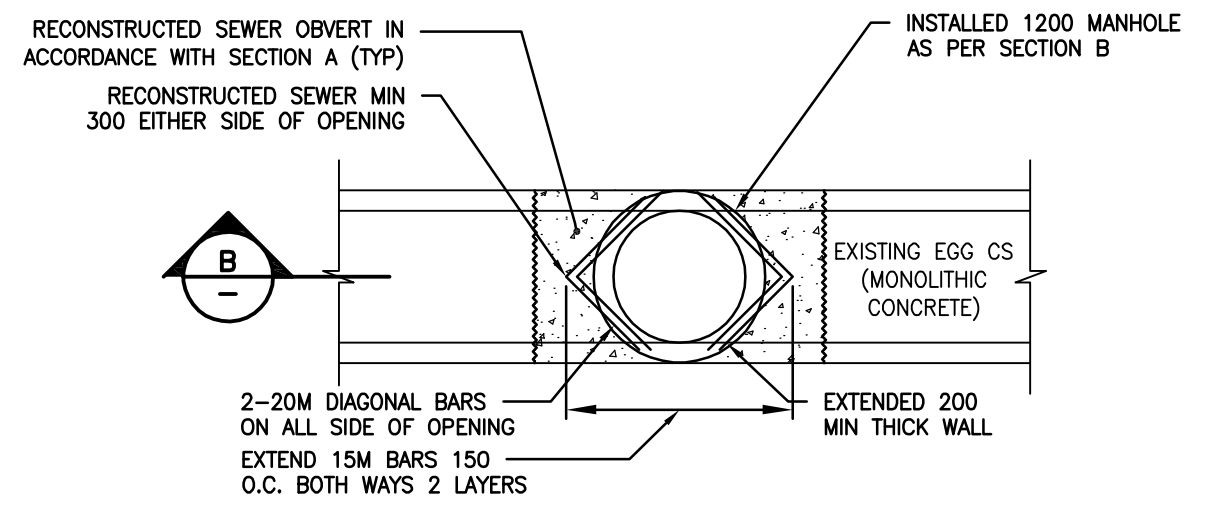
SECTION A
N.T.S.



SECTION B
1:50



MANHOLE RECONSTRUCTION DETAIL FOR MONOLITHIC CONCRETE SEWERS - TEE BRANCH
N.T.S.



MANHOLE RECONSTRUCTION DETAIL FOR MONOLITHIC CONCRETE SEWERS
N.T.S.

ENGINEERS GEOSCIENTISTS MANITOBA
Certificate of Authorization
Stantec Consulting Ltd.
No. 1301

V:\112\active\11220592\0300_drawing\0302_sheet_files\02_civil\20592c-501.dwg

LOCATION APPROVED UNDERGROUND STRUCTURES		B.M. ELEV.	
SUPV. U/G STRUCTURES COMMITTEE	DATE		
NOTE: LOCATION OF UNDERGROUND STRUCTURES AS SHOWN ARE BASED ON THE BEST INFORMATION AVAILABLE BUT NO GUARANTEE IS GIVEN THAT ALL EXISTING UTILITIES ARE SHOWN OR THAT THE GIVEN LOCATIONS ARE EXACT. CONFIRMATION OF EXISTENCE AND EXACT LOCATION OF ALL SERVICES MUST BE OBTAINED FROM THE INDIVIDUAL UTILITIES BEFORE PROCEEDING WITH CONSTRUCTION.			
NO.	REVISIONS	DATE	BY
2	ISSUED FOR TENDER	22.05.06	RS
1	ISSUED FOR REVIEW	22.04.29	RS

DESIGNED BY	RS	CHECKED BY	RS
DRAWN BY	OS	APPROVED BY	RS
HOR. SCALE:	1:750	RELEASED FOR CONSTRUCTION:	SC
VERTICAL:		DATE	22.05.04
DATE	22.03.15	CONSULTANT DRAWING NO.	C-501

Stantec
311 Portage Avenue, Winnipeg, Manitoba
Tel 204-489-5900 Fax 204-453-9012

ENGINEER'S SEAL
CONSULTANT DRAWING NO. C-501

THE CITY OF WINNIPEG WATER AND WASTE DEPARTMENT
2022 SEWER RENEWALS BY CIPP LINING (LARGE DIAMETER)
CONTRACT 3
MISCELLANEOUS DETAILS

SHEET	OF
12	12
CAD FILE DRAWING NUMBER	
20592c-501.dwg	
CITY DRAWING NUMBER	
13052	