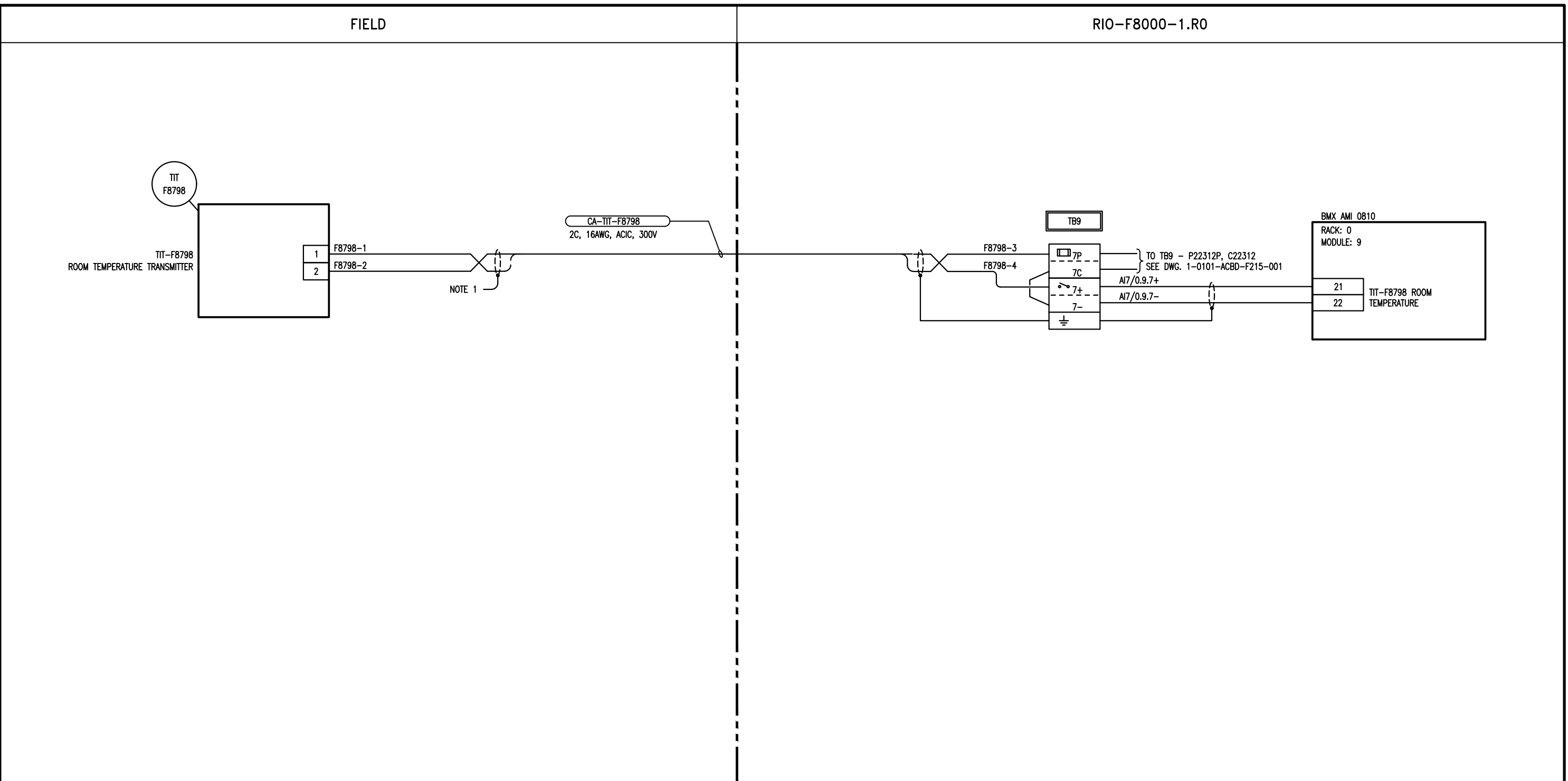



LAST SAVE: 2022/07/13 - 12:22pm
 PATH: \\192.168.0.226\1-r-data\Projects\2021\21-0107-015\Dwg\Elec\ADDENDUM\1-0101-AILD-F260-001.DWG
 B SIZE - 279mm x 432mm



NOTES
 1. ISOLATE AND TAPE BACK SHIELD AT THIS END ONLY.



**ENGINEERS
 GEOSCIENTISTS
 MANITOBA**

Certificate of Authorization

KGS Group


No. 245

NO.	REVISIONS	DATE	DESIGN	CHECK
0	ISSUED FOR CONSTRUCTION	2022 07 05	DRS	<i>JMB</i>

KGS GROUP

DESIGNED BY: DRS	CHECKED BY: <i>JMB</i>
DRAWN BY: RG	APPROVED BY: <i>JMB</i>
SCALE: NTS	DATE:
ISSUED FOR CONSTRUCTION	
BY:	DATE:
CONSULTANT NO.: 21-0107-015_A6.227	

ENGINEER'S SEAL



THE CITY OF WINNIPEG
 WATER AND WASTE DEPARTMENT
 ENGINEERING DIVISION

NORTH END SEWAGE TREATMENT PLANT (NEWPCC)
 INTERIM PHOSPHOROUS REMOVAL
 BUILDING 101
 AUTOMATION - LOOP DRAWING
 TIT-F8798 INDOOR AMBIENT TEMPERATURE ROOM 101C

CITY DRAWING NUMBER	SHEET	REV.	SIZE
1-0101-AILD-F260-001	001	0	B