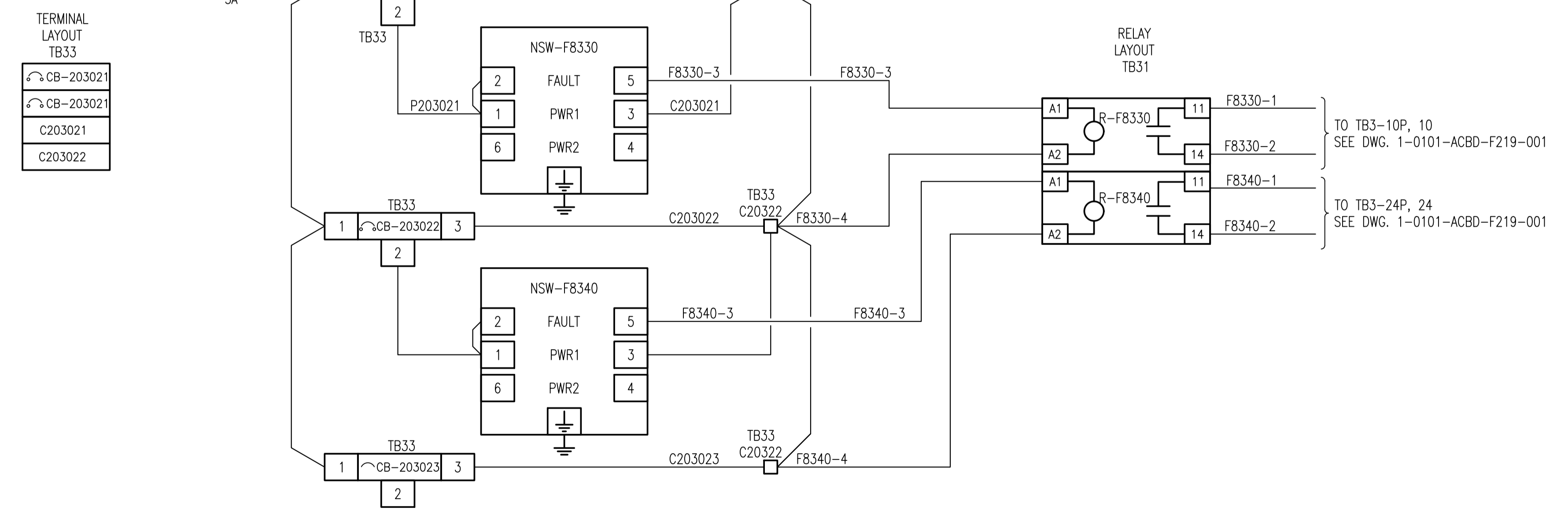
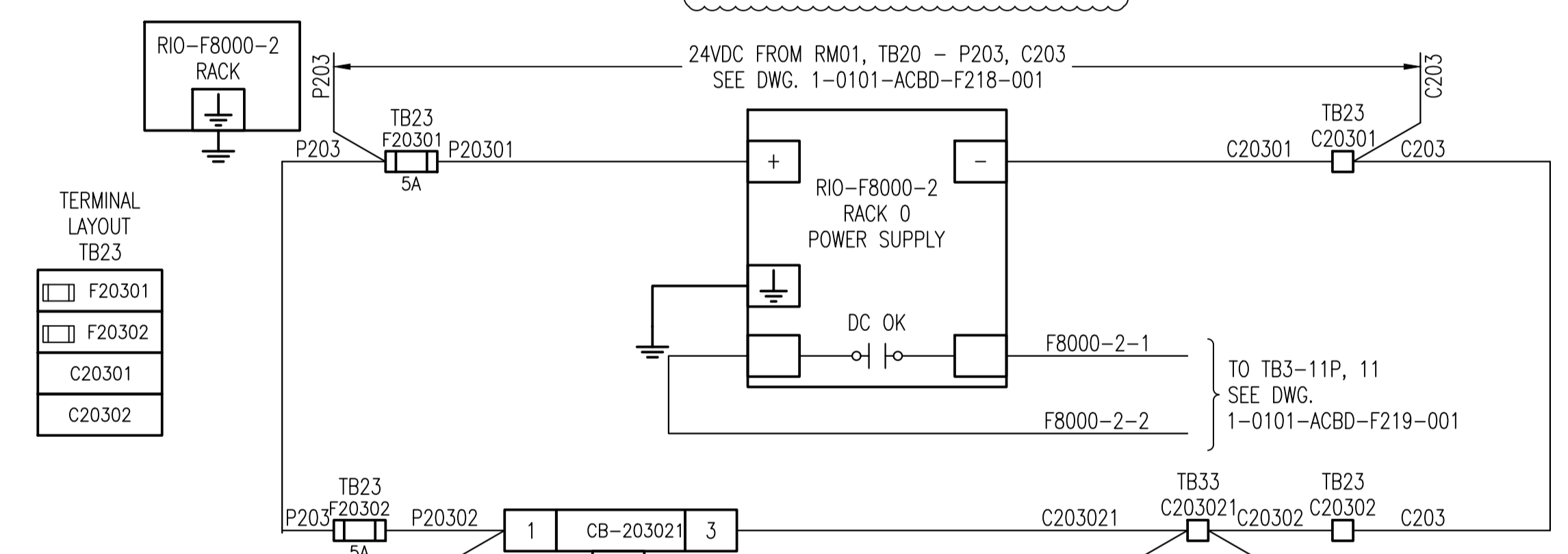


GENERAL NOTES:
1. SEE POWER CONSUMPTION TABLE DWG. E5.132.

FUSE SCHEDULE			
TB	IDENTIFIER	SIZE	RATING
TB21	F20101	5X20mm	1A FA
	F20102	5X20mm	1A FA
	F20103	5X20mm	1A FA
	F20104	5x20mm	1A FA
	F20105	5x20mm	1A FA
	F20106	5x20mm	0.5A FA
	F20110	5x20mm	0.5A FA
	F20108	5x20mm	5A FA
	F20109	5x20mm	5A FA
	F20110	5X20mm	1A FA
TB22	F20201	5X20mm	2A TD
	F20202	5X20mm	2A TD
	F20203	5X20mm	2A TD
	F20204	5x20mm	2A TD
	F20205	5x20mm	2A TD
	F20206	5x20mm	1A FA
	F20207	5x20mm	1A FA
TB23	F20201	5X20mm	5A TD
	F20202	5X20mm	5A FA

NOTES
FA = FAST ACTING
TD = TIME DELAY



ELECTRONIC CIRCUIT PROTECTION SCHEDULE			
TB	IDENTIFIER	SIZE	RATING
TB33	CB-203021	12.5X80mm	1A CLASS 2
	CB-203022	12.5X80mm	1A CLASS 2

NOTES
FA = FAST ACTING
TD = TIME DELAY

10	-	-
9	-	-
8	-	-
7	-	-
6	-	-
5	-	-
4	-	-
3	-	-
2	-	-
1	-	-
NO.	DRAWING NUMBER	REFERENCE DRAWING TITLE
REFERENCE DRAWINGS		



B.M. ELEV.	
CONSTRUCTION COMPLETION DATE: YYYY MM DD	
DESIGNED BY	DG
CHECKED BY	JAB
DRAWN BY	RG
APPROVED BY	JAB
SCALE:	NTS
RELEASED FOR CONSTRUCTION	
NO.	REVISIONS
1	RE-ISSUED FOR CONSTRUCTION 2022 07 05 JAB
0	ISSUED FOR CONSTRUCTION 2022 05 18 JAB
DATE	2022 04 04
DATE	

KGS GROUP

ENGINEER'S SEAL

CONSULTANT DRAWING NUMBER: 21-0110-015_A5.203

THE CITY OF WINNIPEG
WATER AND WASTE DEPARTMENT
ENGINEERING DIVISION

Winnipeg

NORTH END SEWAGE TREATMENT PLANT (NEWPC)
INTERIM PHOSPHOROUS REMOVAL
AUTOMATION

BUILDING 102
RIO-F8000-2 POWER DISTRIBUTION SCHEMATIC

CITY DRAWING NUMBER: 1-0101-ACBD-F218-002

SHEET 4 OF 9