

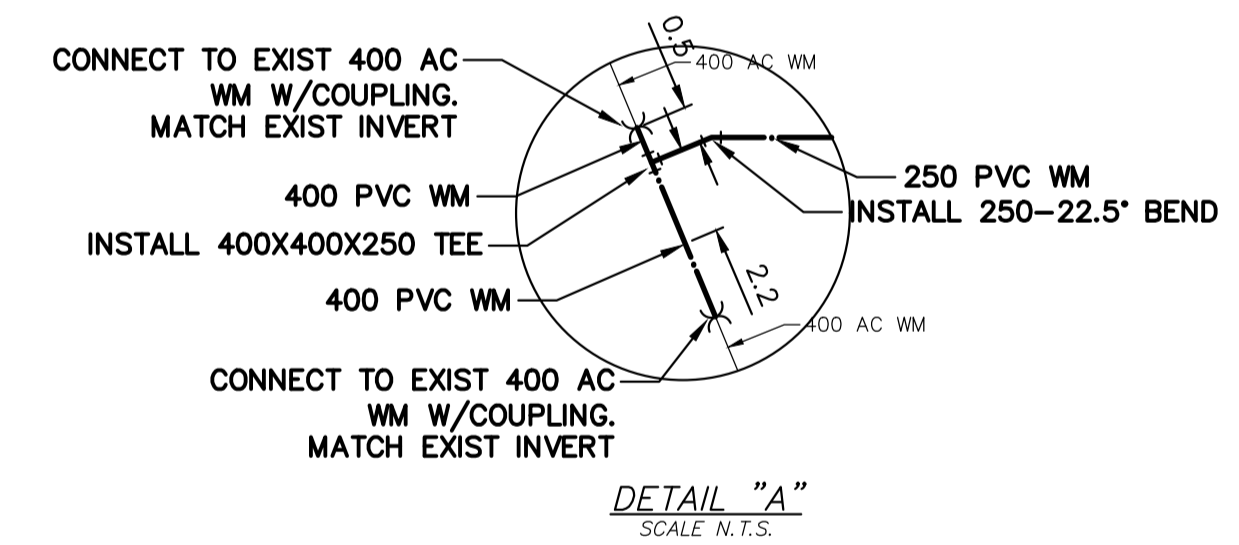
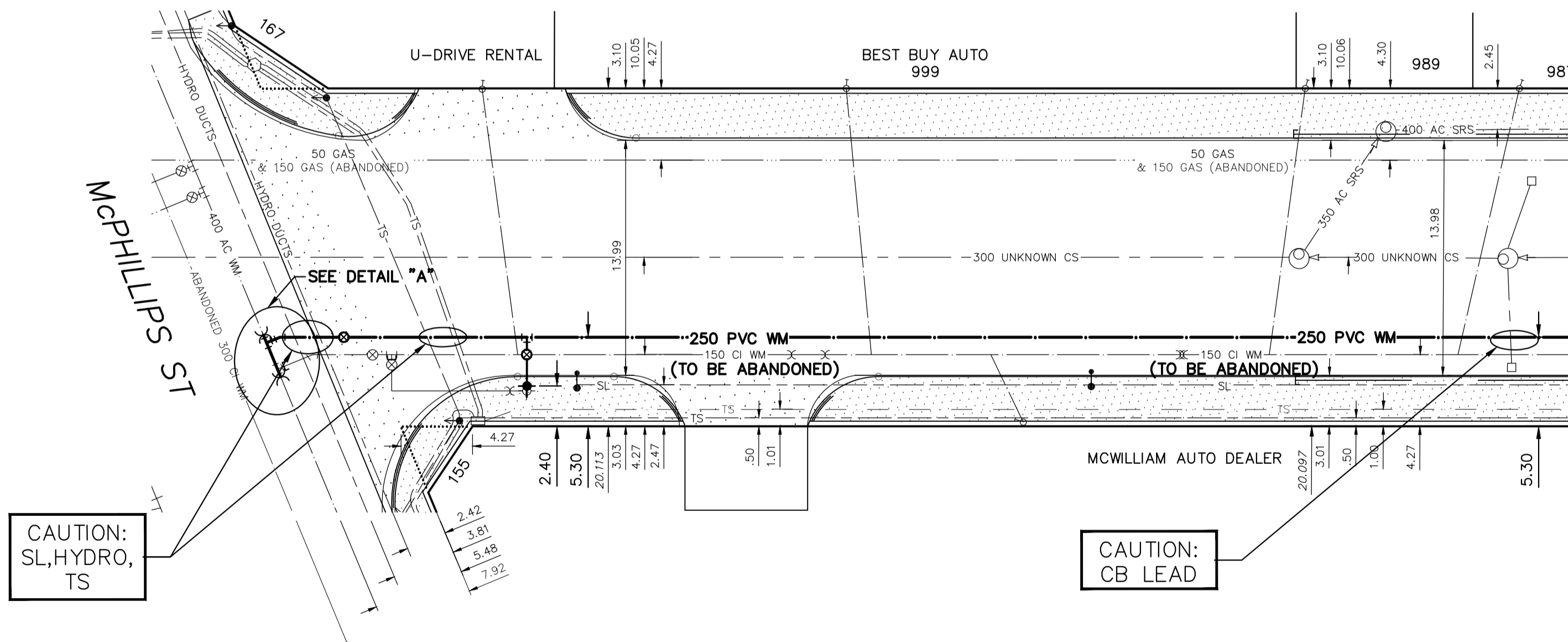
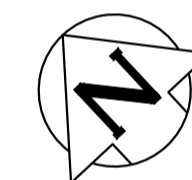
WATER SERVICE INFORMATION

ADDRESS	SIZE (mm) MATERIAL (STREET)	SIZE (mm) MATERIAL (PROP.)	SHORT & LONG MEASUREMENT	CORP LOCATION	REMARKS
987 WILLIAM AVE	20 CU	20 CU	3.67 W/L HSE	3.7 E OF S/C	RECONNECT SERVICE
RESIDENTIAL	CU	CU	67.267 EEL OF MCPHILLIPS ST		RECONNECT SERVICE
989 WILLIAM AVE	20 CU	20 CU	0.96 W/L HSE	OPP OF S/C	RECONNECT SERVICE
RESIDENTIAL	CU	CU	58.174 EEL OF MCPHILLIPS ST		RECONNECT SERVICE
999 WILLIAM AVE	25 CU	25 CU	13.60 W/L HSE	1.5 E OF S/C	RECONNECT SERVICE
RESIDENTIAL	CU	CU	32.345 EEL OF MCPHILLIPS ST		RECONNECT SERVICE
167 MCPHILLIPS ST	-	-	7.42 E/W HSE	2.1 E OF S/C	RECONNECT SERVICE SERVICED OFF WILLIAM AVE
COMMERCIAL	-	-	11.292 EEL AT MCPHILLIPS ST		RECONNECT SERVICE SERVICED OFF WILLIAM AVE
155 MCPHILLIPS ST	25 CU	25 CU	6.22 E/W HSE	1.9 W OF S/C	RECONNECT SERVICE SERVICED OFF WILLIAM AVE
COMMERCIAL	CU	CU	107.173 W/L AT LARK ST		RECONNECT SERVICE SERVICED OFF WILLIAM AVE

* SERVICES TO BE RENEWED TO R. ALL OTHERS TO BE RECONNECTED

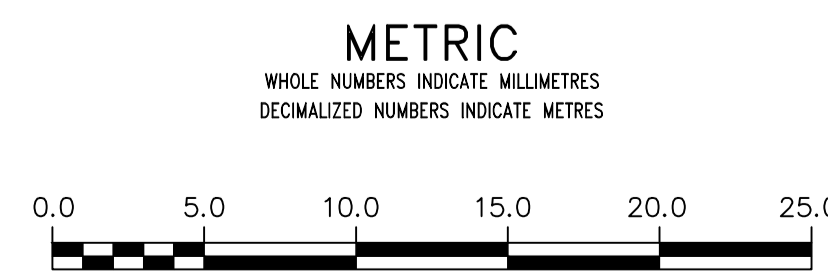
NOTE: CHAINAGES SHOWN ARE ALONG S. R. OF WILLIAM AVENUE

WILLIAM AVENUE



FOR INDEX SEE D-16178

NOTE: ALL VALVES TO BE INSTALLED COUNTERCLOCKWISE TO CLOSE



WARNING
IF POWER EQUIPMENT OR EXPLOSIVES ARE TO BE USED FOR EXCAVATION ON THIS PROJECT THE CONTRACTOR MUST:
1) NOTIFY THE GAS COMPANY OF THE PROPOSED LOCATION OF EXCAVATION.
2) TAKE PRECAUTION TO AVOID DAMAGE TO GAS COMPANY INSTALLATIONS.
SEE PROVINCIAL REGULATION 210/72 FOR DETAILS

LOCATION APPROVED UNDERGROUND STRUCTURES
SUPV. U/G STRUCTURES COMMITTEE DATE
NOTE:
LOCATION OF UNDERGROUND STRUCTURES AS SHOWN ARE BASED ON THE BEST INFORMATION AVAILABLE BUT NO GUARANTEE IS GIVEN THAT ALL EXISTING UTILITIES ARE SHOWN OR THAT THE GIVEN LOCATIONS ARE EXACT. CONFIRMATION OF EXISTENCE AND EXACT LOCATION OF ALL SERVICES MUST BE OBTAINED FROM THE INDIVIDUAL UTILITIES BEFORE PROCEEDING WITH CONSTRUCTION.

VERTICAL DATUM: CGVD28 (HT2.0 Geoid)
HORIZONTAL DATUM: NAD83 (June 1980), Zone 14

NO.	REVISIONS	DATE	BY

DESIGNED BY	JB	CHECKED BY	SC
DRAWN BY	AOM	APPROVED BY	KZ
SCALE:		RELEASED FOR CONSTRUCTION	
HORIZONTAL	1: 250		
VERTICAL	1: 50		
DATE	2022 04 28	DATE	

ENGINEER'S SEAL
CONSULTANT DRAWING NUMBER

THE CITY OF WINNIPEG
WATER AND WASTE DEPARTMENT
ENGINEERING DIVISION

2022 WATER MAIN RENEWALS
CONTRACT 7
WILLIAM AVENUE
MCPHILLIPS STREET TO
70.0 E OF MCPHILLIPS STREET

SHEET 8 OF 9
CITY DRAWING NUMBER
D-16184