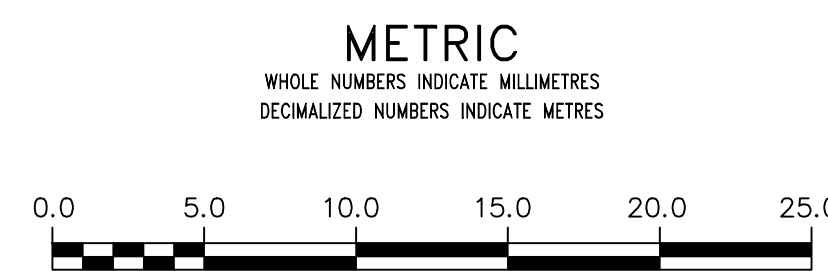
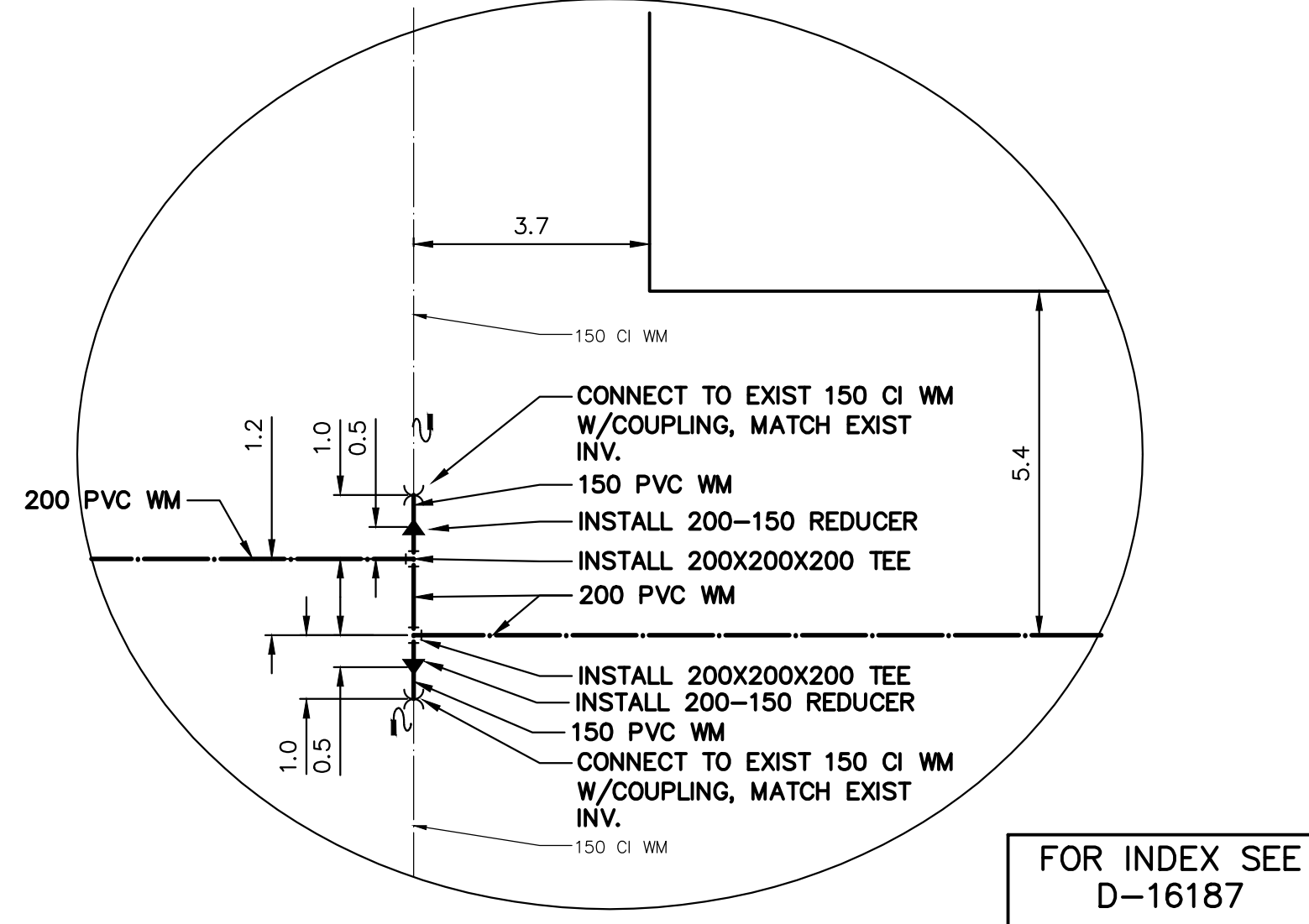
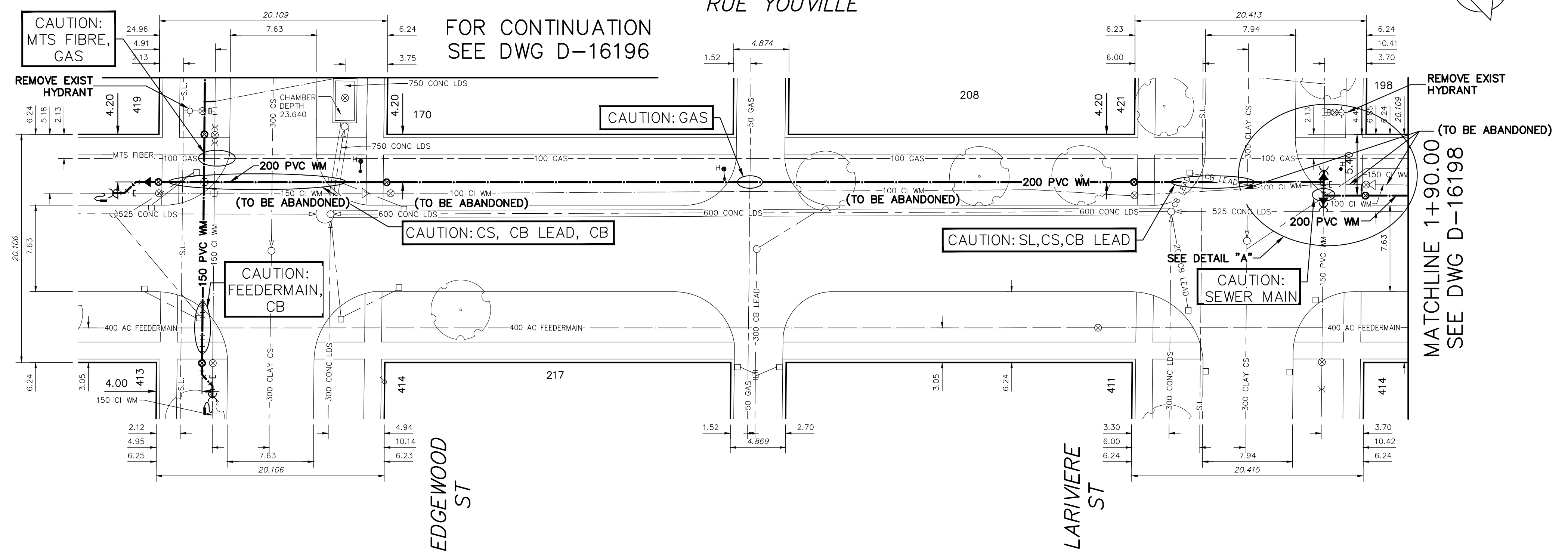


WATER SERVICE INFORMATION					
ADDRESS	SIZE (mm) MATERIAL (STREET)	SIZE (mm) MATERIAL (PROP.)	SHORT & LONG MEASUREMENT	CORP LOCATION	REMARKS
413 EDGEWOOD ST RESIDENTIAL	-	20	6.20 WEL HSE	-	-
414 EDGEWOOD ST RESIDENTIAL	-	20	9.660 WML RUE YOUVILLE	-	SERVICED OF EDGEWOOD ST
419 EDGEWOOD ST RESIDENTIAL	20	20	1.29 WEL HSE	-	SERVICED OF EDGEWOOD ST
420 EDGEWOOD ST RESIDENTIAL	20	20	1.700 WML RUE YOUVILLE	-	SERVICED OF EDGEWOOD ST
421 EDGEWOOD ST RESIDENTIAL	20	20	0.95 EEL HSE	0.5 E OF S/C	-
422 EDGEWOOD ST RESIDENTIAL	20	12	6.300 EEL RUE YOUVILLE	3.0 W OF S/C	SERVICED OF EDGEWOOD ST
217 RUE YOUVILLE RESIDENTIAL	-	20	1.27 WEL HSE	-	SERVICED OF EDGEWOOD ST
208 RUE YOUVILLE RESIDENTIAL	-	20	5.820 EEL RUE YOUVILLE	-	SERVICED OF LARIVIERE ST
198 RUE YOUVILLE RESIDENTIAL	-	20	1.29 WEL HSE	-	-
411 LARIVIERE ST RESIDENTIAL	-	20	1.700 WML RUE YOUVILLE	-	SERVICED OF EDGEWOOD ST
414 LARIVIERE ST RESIDENTIAL	-	20	5.36 EWL HSE	1.5 W OF S/C	SERVICED OF LARIVIERE ST
421 LARIVIERE ST RESIDENTIAL	-	20	5.970 EEL RUE YOUVILLE	-	-
198 RUE YOUVILLE RESIDENTIAL	-	20	1.80 EWL HSE	-	-
411 LARIVIERE ST RESIDENTIAL	-	20	5.920 EEL RUE YOUVILLE	1.8 E OF S/C	SERVICED OF LARIVIERE ST
414 LARIVIERE ST RESIDENTIAL	-	20	6.56 WEL BLDG	-	-
421 LARIVIERE ST RESIDENTIAL	-	20	8.880 WML RUE YOUVILLE	-	OUTSIDE WORK LIMITS
414 LARIVIERE ST RESIDENTIAL	-	20	6.18 WEL BLDG	-	-
421 LARIVIERE ST RESIDENTIAL	-	20	7.030 WML RUE YOUVILLE	-	OUTSIDE WORK LIMITS
421 LARIVIERE ST RESIDENTIAL	-	20	5.36 WEL HSE	-	-
421 LARIVIERE ST RESIDENTIAL	-	20	5.970 EEL RUE YOUVILLE	1.5 W OF S/C	OUTSIDE WORK LIMITS

* SERVICES TO BE RENEWED TO R. ALL OTHERS TO BE RECONNECTED

WATER SERVICE INFORMATION					
ADDRESS	SIZE (mm) MATERIAL (STREET)	SIZE (mm) MATERIAL (PROP.)	SHORT & LONG MEASUREMENT	CORP LOCATION	REMARKS
413 EDGEWOOD ST RESIDENTIAL	-	20	6.20 WEL HSE	-	RECONNECT SERVICE
414 EDGEWOOD ST RESIDENTIAL	-	20	1.29 WEL HSE	-	RECONNECT SERVICE
419 EDGEWOOD ST RESIDENTIAL	20	20	0.95 EEL HSE	0.5 E OF S/C	RECONNECT SERVICE
420 EDGEWOOD ST RESIDENTIAL	20	12	6.300 EEL RUE YOUVILLE	3.0 W OF S/C	RECONNECT SERVICE
421 EDGEWOOD ST RESIDENTIAL	20	20	1.27 WEL HSE	-	RECONNECT SERVICE
422 EDGEWOOD ST RESIDENTIAL	20	12	5.820 EEL RUE YOUVILLE	0.1 W OF S/C	RECONNECT SERVICE
217 RUE YOUVILLE RESIDENTIAL	-	20	1.31 WEL HSE	-	RECONNECT SERVICE
208 RUE YOUVILLE RESIDENTIAL	-	20	14.440 EEL RUE YOUVILLE	-	RECONNECT SERVICE
198 RUE YOUVILLE RESIDENTIAL	-	20	4.89 WEL HSE	-	RECONNECT SERVICE
411 LARIVIERE ST RESIDENTIAL	-	20	15.940 EEL RUE YOUVILLE	0.1 W OF S/C	RECONNECT SERVICE
414 LARIVIERE ST RESIDENTIAL	-	20	0.31 WEL HSE	-	RECONNECT SERVICE
421 LARIVIERE ST RESIDENTIAL	-	20	21.880 EEL RUE YOUVILLE	-	RECONNECT SERVICE
422 LARIVIERE ST RESIDENTIAL	-	20	5.74 WEL BLDG	9.1 E OF S/C	RECONNECT SERVICE
426 EDGEWOOD ST RESIDENTIAL	-	20	26.830 EEL RUE YOUVILLE	-	RECONNECT SERVICE
428 EDGEWOOD ST RESIDENTIAL	-	20	1.15 WEL BLDG	-	RECONNECT SERVICE
429 EDGEWOOD ST RESIDENTIAL	-	20	28.120 EEL RUE YOUVILLE	-	RECONNECT SERVICE
429 1/2 EDGEWOOD ST RESIDENTIAL	-	12	0.66 EEL HSE	0.8 W OF S/C	RENEW TO R W/20 CU
430 EDGEWOOD ST RESIDENTIAL	-	20	37.650 EEL RUE YOUVILLE	-	RECONNECT SERVICE
433 EDGEWOOD ST RESIDENTIAL	-	20	6.41 WEL HSE	1.4 W OF S/C	RECONNECT SERVICE
434 EDGEWOOD ST RESIDENTIAL	-	20	38.170 EEL RUE YOUVILLE	-	RECONNECT SERVICE
435 EDGEWOOD ST RESIDENTIAL	-	20	6.41 WEL HSE	1.4 W OF S/C	RECONNECT SERVICE
438 EDGEWOOD ST RESIDENTIAL	-	20	7.88 WEL BLDG	4.8 W OF S/C	RENEW TO R W/20 CU
439 EDGEWOOD ST RESIDENTIAL	-	20	40.780 EEL RUE YOUVILLE	-	RECONNECT SERVICE
440 EDGEWOOD ST RESIDENTIAL	-	20	1.58 EEL BLDG	-	RECONNECT SERVICE
441 EDGEWOOD ST RESIDENTIAL	-	20	58.680 EEL RUE YOUVILLE	-	RECONNECT SERVICE
444 EDGEWOOD ST RESIDENTIAL	-	20	6.07 WEL BLDG	-	RECONNECT SERVICE
445 EDGEWOOD ST RESIDENTIAL	-	20	62.130 EEL RUE YOUVILLE	-	RECONNECT SERVICE
446 EDGEWOOD ST RESIDENTIAL	-	20	7.12 WEL BLDG	-	RECONNECT SERVICE
448 EDGEWOOD ST RESIDENTIAL	-	20	61.880 EEL RUE YOUVILLE	-	RECONNECT SERVICE
449 EDGEWOOD ST RESIDENTIAL	-	20	6.83 WEL BLDG	-	RECONNECT SERVICE
449 EDGEWOOD ST RESIDENTIAL	-	20	67.760 EEL RUE YOUVILLE	-	RECONNECT SERVICE
449 EDGEWOOD ST RESIDENTIAL	-	20	8.35 WEL BLDG	-	RECONNECT SERVICE
440 EDGEWOOD ST RESIDENTIAL	-	20	72.280 EEL RUE YOUVILLE	-	RECONNECT SERVICE
441 EDGEWOOD ST RESIDENTIAL	-	20	3.83 WEL BLDG	-	RECONNECT SERVICE
444 EDGEWOOD ST RESIDENTIAL	-	20	81.590 EEL RUE YOUVILLE	-	RECONNECT SERVICE
445 EDGEWOOD ST RESIDENTIAL	-	20	3.97 WEL BLDG	-	RECONNECT SERVICE
445 EDGEWOOD ST RESIDENTIAL	-	20	85.800 EEL RUE YOUVILLE	-	RECONNECT SERVICE
446 EDGEWOOD ST RESIDENTIAL	-	20	6.21 WEL BLDG	-	RENEW TO R W/20 CU PREVIOUSLY FROZEN
446 EDGEWOOD ST RESIDENTIAL	-	20	91.620 EEL RUE YOUVILLE	-	RECONNECT SERVICE
446 EDGEWOOD ST RESIDENTIAL	-	20	-	-	NO SERVICE
446 EDGEWOOD ST RESIDENTIAL	-	20	0.18 WEL BLDG	7.3 W OF S/C	RENEW TO R W/20 CU PREVIOUSLY FROZEN
450 EDGEWOOD ST RESIDENTIAL	-	20	108.990 EEL RUE YOUVILLE	-	RECONNECT SERVICE
450 EDGEWOOD ST RESIDENTIAL	-	20	3.67 WEL BLDG	-	RECONNECT SERVICE
450 EDGEWOOD ST RESIDENTIAL	-	20	119.140 EEL RUE YOUVILLE	-	RECONNECT SERVICE
456 EDGEWOOD ST RESIDENTIAL	-	20	3.57 WEL BLDG	-	RECONNECT SERVICE
456 EDGEWOOD ST RESIDENTIAL	-	20	137.650 EEL RUE YOUVILLE	-	RECONNECT SERVICE
458/460 EDGEWOOD ST RESIDENTIAL	-	20	0.57 WML BLDG	42.7 W OF S/C	RENEW TO R W/20 CU PREVIOUSLY FROZEN
458/460 EDGEWOOD ST RESIDENTIAL	-	20	145.690 EEL RUE YOUVILLE	-	RECONNECT SERVICE

* SERVICES TO BE RENEWED TO R. ALL OTHERS TO BE RECONNECTED



WARNING

IF POWER EQUIPMENT OR EXPLOSIVES ARE TO BE USED FOR EXCAVATION ON THIS PROJECT THE CONTRACTOR MUST:

- 1) NOTIFY THE GAS COMPANY OF THE PROPOSED LOCATION OF EXCAVATION.
- 2) TAKE PRECAUTION TO AVOID DAMAGE TO GAS COMPANY INSTALLATIONS.

SEE PROVINCIAL REGULATION 210/72 FOR DETAILS

LOCATION APPROVED

UNDERGROUND STRUCTURES

SUPV. U/G STRUCTURES COMMITTEE DATE

NOTE:

LOCATION OF UNDERGROUND STRUCTURES AS SHOWN ARE BASED ON THE BEST INFORMATION AVAILABLE BUT NO GUARANTEE IS GIVEN THAT ALL EXISTING UTILITIES ARE SHOWN OR THAT THE GIVEN LOCATIONS ARE EXACT. CONFIRMATION OF EXISTENCE AND EXACT LOCATION OF ALL SERVICES MUST BE OBTAINED FROM THE INDIVIDUAL UTILITIES BEFORE PROCEEDING WITH CONSTRUCTION.

VERTICAL DATUM: CGVD28 (HT2.0 Geoid)

HORIZONTAL DATUM: NAD83 (June 1990), Zone 14

NO.	REVISIONS	DATE	BY

DESIGNED BY	RG	CHECKED BY	SC
DRAWN BY	AJ	APPROVED BY	KZ
SCALE:		RELEASED FOR CONSTRUCTION	
HORIZONTAL	1:250		
VERTICAL	1:50		
DATE	2022 03 15	DATE	

ENGINEER'S SEAL

CONSULTANT DRAWING NUMBER

THE CITY OF WINNIPEG

WATER AND WASTE DEPARTMENT

ENGINEERING DIVISION

2022 WATER MAIN RENEWALS

CONTRACT 11

RUE YOUVILLE

EDGEWOOD STREET TO

110 S OF EDGEWOOD STREET

SHEET 12 OF 13

CITY DRAWING NUMBER

D-16197

NOTE: ALL VALVES TO BE INSTALLED CLOCKWISE TO CLOSE