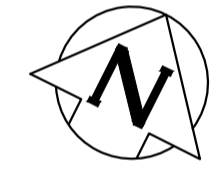


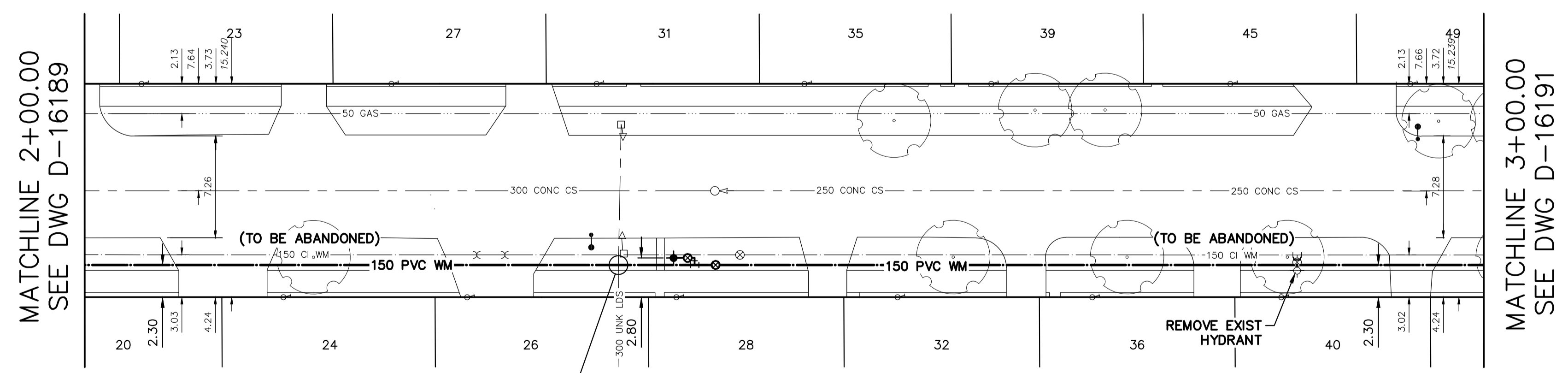
WATER SERVICE INFORMATION					
ADDRESS	SIZE (mm) MATERIAL (STREET)	SIZE (mm) MATERIAL (PROP.)	SHORT & LONG MEASUREMENT	LINEAR DISTANCE (1) CORP LOCATION (2)	REMARKS
23 THORNDALE AVE RESIDENTIAL	12	CU	9.10 WEL HSE	104.107 EEL THORNDALE AVE	RECONNECT SERVICE
24 THORNDALE AVE RESIDENTIAL	12	CU	1.23 EWL HSE	114.296 EEL THORNDALE AVE	RECONNECT SERVICE
26 THORNDALE AVE RESIDENTIAL	20	CU	0.87 EWL HSE	127.428 EEL THORNDALE AVE	RECONNECT SERVICE
27 THORNDALE AVE RESIDENTIAL	12	CU	8.13 WEL HSE	122.043 EEL THORNDALE AVE	RECONNECT SERVICE
28 THORNDALE AVE RESIDENTIAL	20	CU	0.57 WEL HSE	142.341 EEL THORNDALE AVE	RECONNECT SERVICE
31 THORNDALE AVE RESIDENTIAL	12	CU	1.36 EWL HSE	136.665 EEL THORNDALE AVE	RECONNECT SERVICE
32 THORNDALE AVE RESIDENTIAL	12	CU	7.69 WEL HSE	158.127 EEL THORNDALE AVE	RECONNECT SERVICE
35 THORNDALE AVE RESIDENTIAL	12	CU	1.15 EWL HSE	151.507 EEL THORNDALE AVE	RECONNECT SERVICE
36 THORNDALE AVE RESIDENTIAL	12	CU	1.89 EWL HSE	172.030 EEL THORNDALE AVE	RECONNECT SERVICE
39 THORNDALE AVE RESIDENTIAL	12	CU	1.23 EWL HSE	164.811 EEL THORNDALE AVE	RECONNECT SERVICE
40 THORNDALE AVE RESIDENTIAL	12	CU	1.89 EWL HSE	185.614 EEL THORNDALE AVE	RECONNECT SERVICE
45 THORNDALE AVE RESIDENTIAL	12	CU	3.98 EWL HSE	181.910 EEL THORNDALE AVE	RECONNECT SERVICE
49 THORNDALE AVE RESIDENTIAL	12	CU	1.53 EWL HSE	194.684 EEL THORNDALE AVE	RECONNECT SERVICE

(1) LINEAR DISTANCE FROM THE S/C TO THE CORP USED ALONG BENDS & CURVED R.O.W.
 (2) DIRECTION FROM S/C
 * SERVICES TO BE RENEWED TO R, ALL OTHERS TO BE RECONNECTED

NOTE: CHAINAGES SHOWN ARE ALONG S. R. OF THORNDALE AVENUE

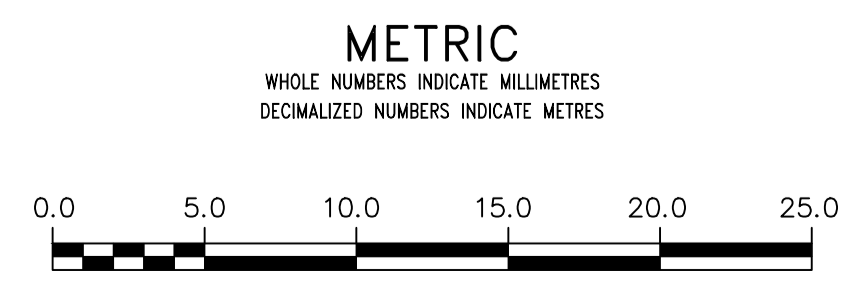


THORNDALE AVENUE



FOR INDEX SEE D-16187

NOTE: ALL VALVES TO BE INSTALLED CLOCKWISE TO CLOSE



WARNING
 IF POWER EQUIPMENT OR EXPLOSIVES ARE TO BE USED FOR EXCAVATION ON THIS PROJECT THE CONTRACTOR MUST:
 1) NOTIFY THE GAS COMPANY OF THE PROPOSED LOCATION OF EXCAVATION.
 2) TAKE PRECAUTION TO AVOID DAMAGE TO GAS COMPANY INSTALLATIONS.
 SEE PROVINCIAL REGULATION 210/72 FOR DETAILS

LOCATION APPROVED UNDERGROUND STRUCTURES
 SUPV. U/G STRUCTURES COMMITTEE DATE
 NOTE:
 LOCATION OF UNDERGROUND STRUCTURES AS SHOWN ARE BASED ON THE BEST INFORMATION AVAILABLE BUT NO GUARANTEE IS GIVEN THAT ALL EXISTING UTILITIES ARE SHOWN OR THAT THE GIVEN LOCATIONS ARE EXACT. CONFIRMATION OF EXISTENCE AND EXACT LOCATION OF ALL SERVICES MUST BE OBTAINED FROM THE INDIVIDUAL UTILITIES BEFORE PROCEEDING WITH CONSTRUCTION.

VERTICAL DATUM: CGVD28 (HT2.0 Geoid)			
HORIZONTAL DATUM: NAD83 (June 1990), Zone 14			
NO.	REVISIONS	DATE	BY

DESIGNED BY	RG	CHECKED BY	SC
DRAWN BY	RS/AOM	APPROVED BY	KZ
SCALE:		RELEASED FOR CONSTRUCTION	
HORIZONTAL	1:250		
VERTICAL	1:50		
DATE	2022 03 08	DATE	

ENGINEER'S SEAL
 CONSULTANT DRAWING NUMBER

THE CITY OF WINNIPEG
 WATER AND WASTE DEPARTMENT
 ENGINEERING DIVISION

2022 WATER MAIN RENEWALS
 CONTRACT 11
 THORNDALE AVENUE
 100 E ST. MARY'S ROAD TO
 200 E ST. MARY'S ROAD

SHEET 5 OF 13
 CITY DRAWING NUMBER
 D-16190