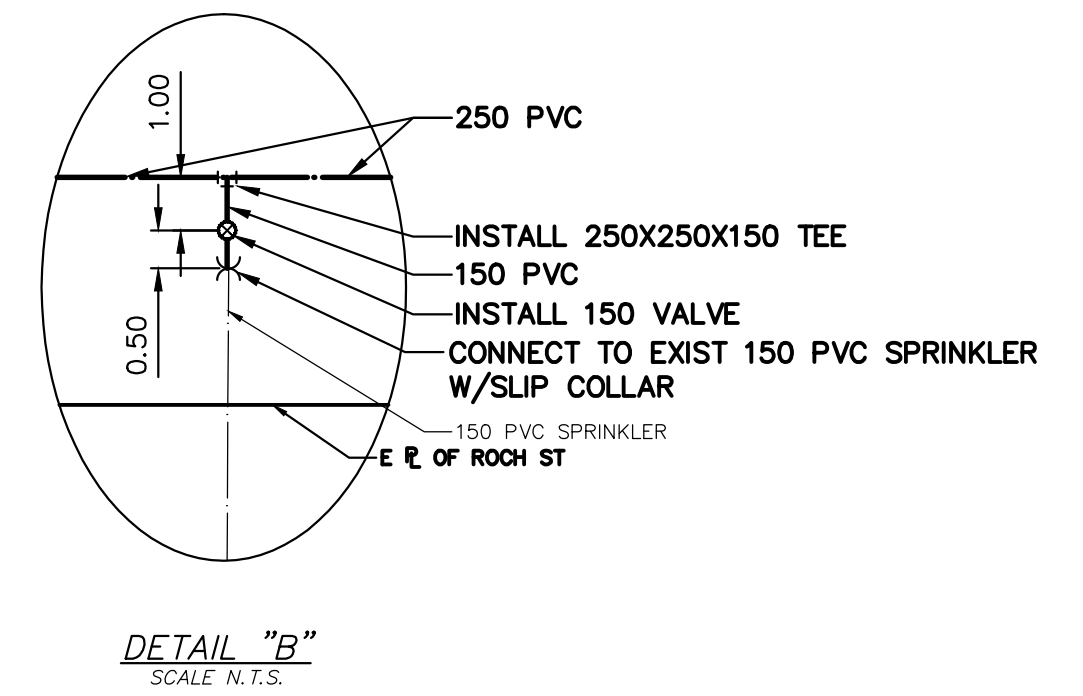


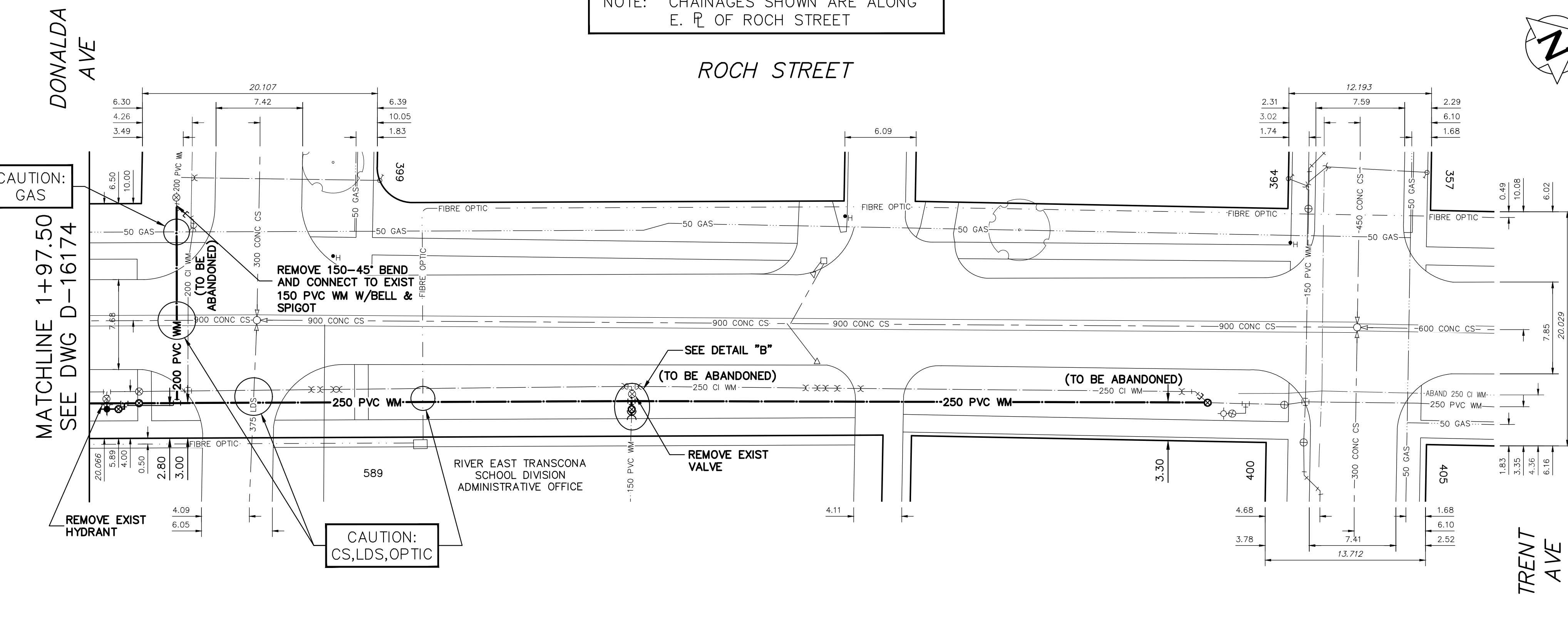
WATER SERVICE INFORMATION

ADDRESS	SIZE (mm) MATERIAL (STREET)	SIZE (mm) MATERIAL (PROP.)	SHORT & LONG MEASUREMENT	CORP LOCATION	REMARKS
589 ROCH ST COMMERCIAL	150 PVC	150 PVC	10.75 SNL HSE	OPP S/C	RECONNECT SERVICE
338 DONALDA AVE RESIDENTIAL	20 CU	20 CU	1.24 WEL HSE	OPP S/C	SERVICED OFF DONALDA AVE
357 TRENT AVE RESIDENTIAL	20 CU	20 CU	1.72 WEL HSE	0.8 W OF S/C	SERVICED OFF TRENT AVE
364 TRENT AVE RESIDENTIAL	20 CU	20 CU	3.370 WML ROCH ST	0.8 E OF S/C	SERVICED OFF TRENT AVE
400 TRENT AVE RESIDENTIAL	20 CU	20 CU	1.55 WEL HSE	3.0 W OF S/C	SERVICED OFF TRENT AVE
405 TRENT AVE RESIDENTIAL	20 CU	20 CU	2.560 WML ROCH ST	4.3 W OF S/C	SERVICED OFF TRENT AVE
			3.69 EWL HSE		
			9.370 EEL ROCH ST		
			8.34 EWL HSE		
			11.560 EEL ROCH ST		

* SERVICES TO BE RENEWED TO R. ALL OTHERS TO BE RECONNECTED



NOTE: CHAINAGES SHOWN ARE ALONG E. R. OF ROCH STREET

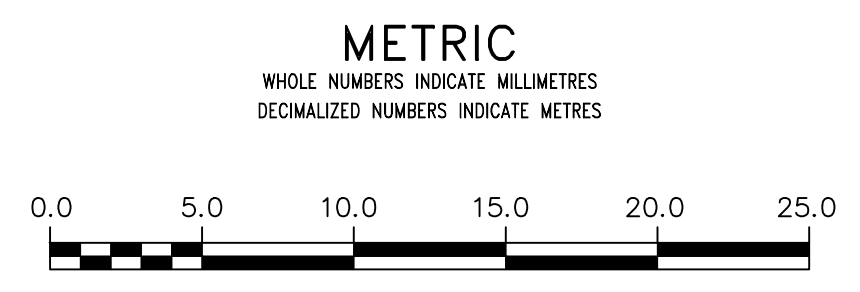


CAUTION: GAS

CAUTION: CS, LDS, OPTIC

FOR INDEX SEE D-1617

NOTE: ALL VALVES TO BE INSTALLED COUNTERCLOCKWISE TO CLOSE



WARNING
IF POWER EQUIPMENT OR EXPLOSIVES ARE TO BE USED FOR EXCAVATION ON THIS PROJECT THE CONTRACTOR MUST:
1) NOTIFY THE GAS COMPANY OF THE PROPOSED LOCATION OF EXCAVATION.
2) TAKE PRECAUTION TO AVOID DAMAGE TO GAS COMPANY INSTALLATIONS.
SEE PROVINCIAL REGULATION 21072 FOR DETAILS

LOCATION APPROVED
UNDERGROUND STRUCTURES
SUPV. U/G STRUCTURES COMMITTEE DATE
NOTE:
LOCATION OF UNDERGROUND STRUCTURES AS SHOWN ARE BASED ON THE BEST INFORMATION AVAILABLE BUT NO GUARANTEE IS GIVEN THAT ALL EXISTING UTILITIES ARE SHOWN OR THAT THE GIVEN LOCATIONS ARE EXACT. CONFIRMATION OF EXISTENCE AND EXACT LOCATION OF ALL SERVICES MUST BE OBTAINED FROM THE INDIVIDUAL UTILITIES BEFORE PROCEEDING WITH CONSTRUCTION.

VERTICAL DATUM: CGVD28 (H12.0 Geoid)
HORIZONTAL DATUM: NAD83 (June 1990), Zone 14

NO.	REVISIONS	DATE	BY

DESIGNED BY	JB	CHECKED BY	XX
DRAWN BY	AJ	APPROVED BY	XX
SCALE:		RELEASED FOR CONSTRUCTION	
HORIZONTAL	1:250		
VERTICAL	1:50		
DATE	2022 03 14	DATE	
PLOT DATE:	2022 03 14		

ENGINEER'S SEAL
CONSULTANT DRAWING NUMBER

THE CITY OF WINNIPEG
WATER AND WASTE DEPARTMENT
ENGINEERING DIVISION

2022 WATER MAIN RENEWALS
CONTRACT 1
ROCH STREET
102 S OF TRENT AVENUE TO
TRENT AVENUE

SHEET 10 OF 11
CITY DRAWING NUMBER
D-16175