

WATER SERVICE INFORMATION

ADDRESS	SIZE (mm) MATERIAL (STREET)	SIZE (mm) MATERIAL (PROP.)	SHORT & LONG MEASUREMENT	LINEAR DISTANCE (1) CORP LOCATION (2)	REMARKS
*1350 CHEVRIER BLVD COMMERCIAL	20 CU	20 CU	2.14 ERL BLDG	-	RENEW TO R W/25 CU
*1346 CHEVRIER BLVD RESIDENTIAL	20 -	20 -	23.620 EEL TROTTER BAY	OPP S/C	RENEW TO R W/25 CU
*1340 CHEVRIER BLVD COMMERCIAL	20 -	20 -	1.50 EWL BLDG	0.2 E OF S/C	RENEW TO R W/25 CU
*1322 CHEVRIER BLVD COMMERCIAL	20 CU	20 CU	32.914 WML TROTTER BAY (W-LEG)	0.4 E OF S/C	RENEW TO R W/25 CU
1330 CHEVRIER BLVD COMMERCIAL	-	-	3.96 EWL HSE	-	RECONNECT SERVICE
1326 CHEVRIER BLVD COMMERCIAL	-	-	51.382 EEL TROTTER BAY (W-LEG)	-	RECONNECT SERVICE
*1322 CHEVRIER BLVD COMMERCIAL	20 CU	20 CU	2.31 WEL BLDG	-	RENEW TO R W/25 CU
			3.701 WML TROTTER BAY (E-LEG)	0.2 W OF S/C	RENEW TO R W/25 CU

(1) LINEAR DISTANCE FROM THE S/C TO THE CORP USED ALONG BENDS & CURVED R.O.W.
 (2) DIRECTION FROM S/C

* SERVICES TO BE RENEWED TO R. ALL OTHERS TO BE RECONNECTED

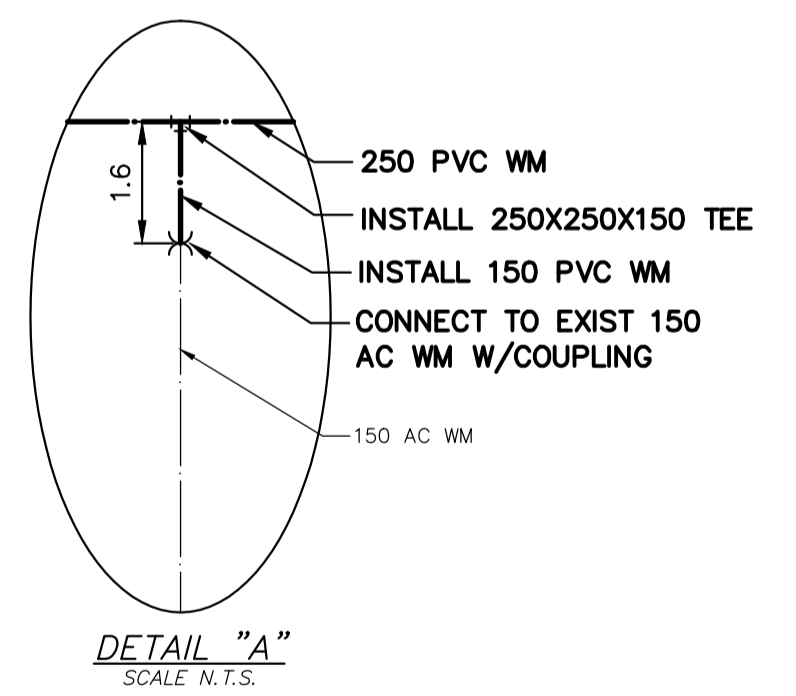
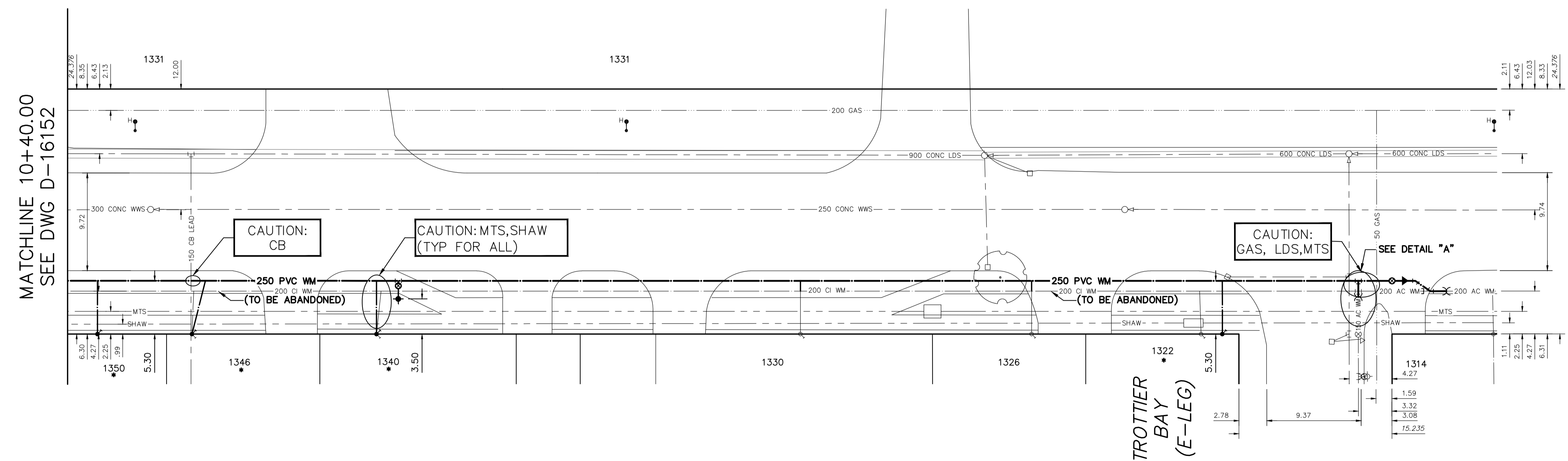
NOTE: CHAINAGES SHOWN ARE ALONG S. R. OF CHEVRIER BOULEVARD

CHEVRIER BOULEVARD

CONSTRUCTION NOTES

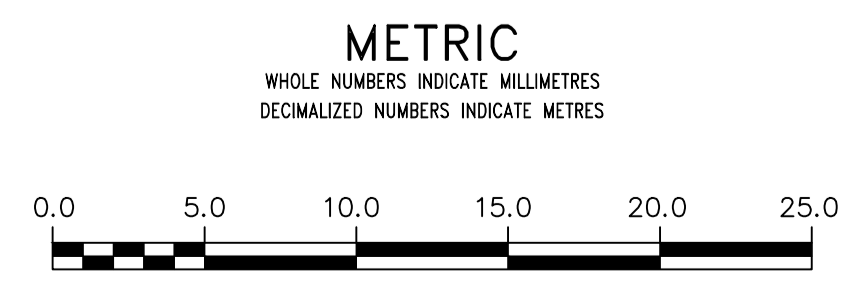


- Permanent restoration of the asphalt active transportation path, separate concrete splash strip and concrete sidewalk to be in accordance with E5.



FOR INDEX SEE D-16144

NOTE: ALL VALVES TO BE INSTALLED CLOCKWISE TO CLOSE



WARNING

IF POWER EQUIPMENT OR EXPLOSIVES ARE TO BE USED FOR EXCAVATION ON THIS PROJECT THE CONTRACTOR MUST:

- NOTIFY THE GAS COMPANY OF THE PROPOSED LOCATION OF EXCAVATION.
- TAKE PRECAUTION TO AVOID DAMAGE TO GAS COMPANY INSTALLATIONS.

SEE PROVINCIAL REGULATION 210/72 FOR DETAILS

LOCATION APPROVED
UNDERGROUND STRUCTURES

SUPV. U/G STRUCTURES COMMITTEE DATE

NOTE:
LOCATION OF UNDERGROUND STRUCTURES AS SHOWN ARE BASED ON THE BEST INFORMATION AVAILABLE BUT NO GUARANTEE IS GIVEN THAT ALL EXISTING UTILITIES ARE SHOWN OR THAT THE GIVEN LOCATIONS ARE EXACT. CONFIRMATION OF EXISTENCE AND EXACT LOCATION OF ALL SERVICES MUST BE OBTAINED FROM THE INDIVIDUAL UTILITIES BEFORE PROCEEDING WITH CONSTRUCTION.

VERTICAL DATUM: CGVD28 (HT2.0 Geoid)
 HORIZONTAL DATUM: NAD83 (June 1990), Zone 14

NO.	REVISIONS	DATE	BY

DESIGNED BY	RG	CHECKED BY	SC
DRAWN BY	RS	APPROVED BY	KZ
SCALE:		RELEASED FOR CONSTRUCTION	
HORIZONTAL	1:250		
VERTICAL	1:50		
DATE	2022 05 12	DATE	
PLOT DATE:	2022 05 12		

ENGINEER'S SEAL

CONSULTANT DRAWING NUMBER

THE CITY OF WINNIPEG
 WATER AND WASTE DEPARTMENT
 ENGINEERING DIVISION

2022 WATER MAIN RENEWALS
 CONTRACT 13
 CHEVRIER BOULEVARD
 78.6 E OF HAMELIN STREET TO
 TROTTER BAY (E-LEG)

SHEET 11 OF 11
 CITY DRAWING NUMBER
 D-16153