

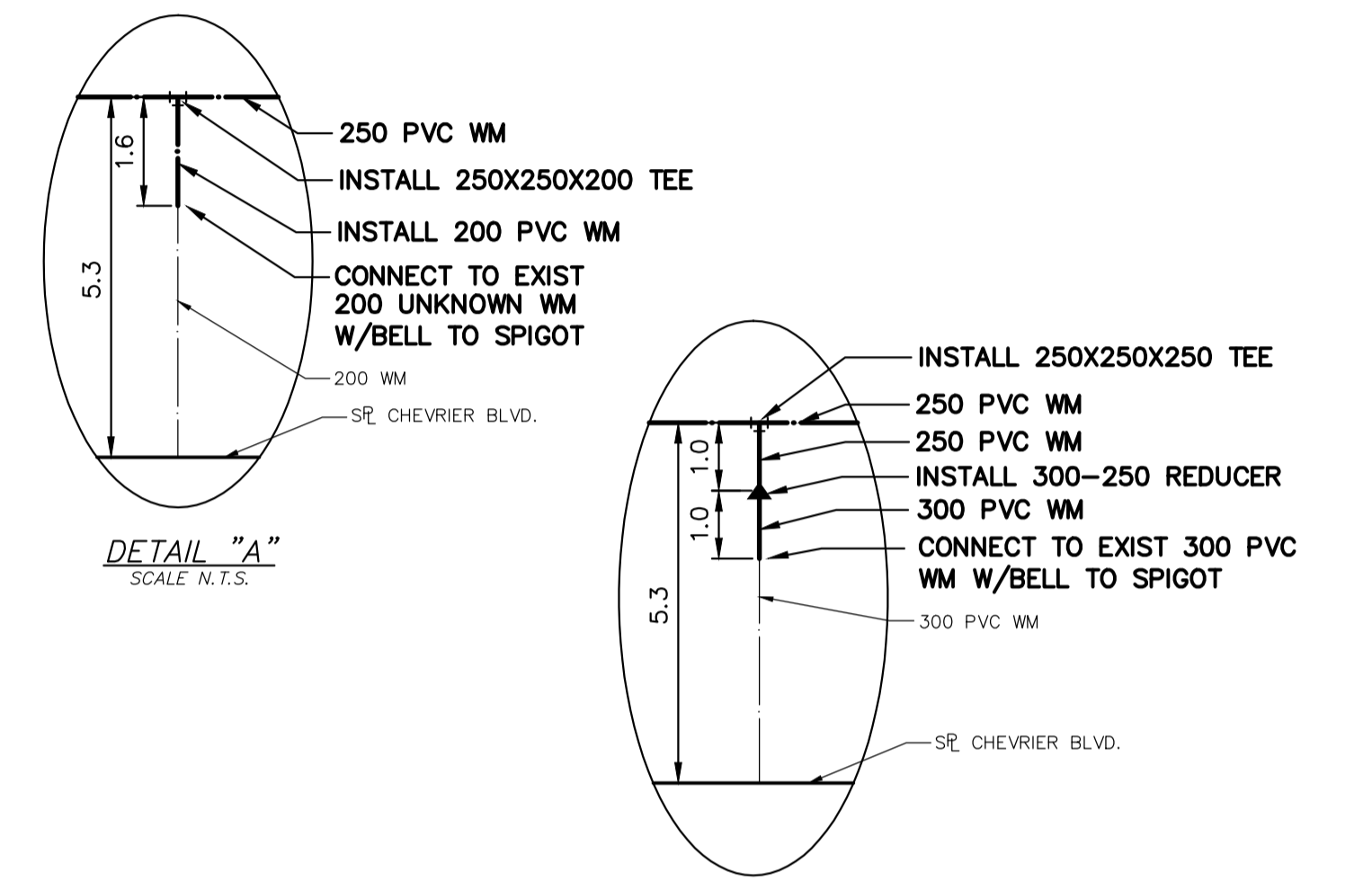
NOTE: CHAINAGES SHOWN ARE ALONG S. R. OF CHEVRIER BOULEVARD

WATER SERVICE INFORMATION

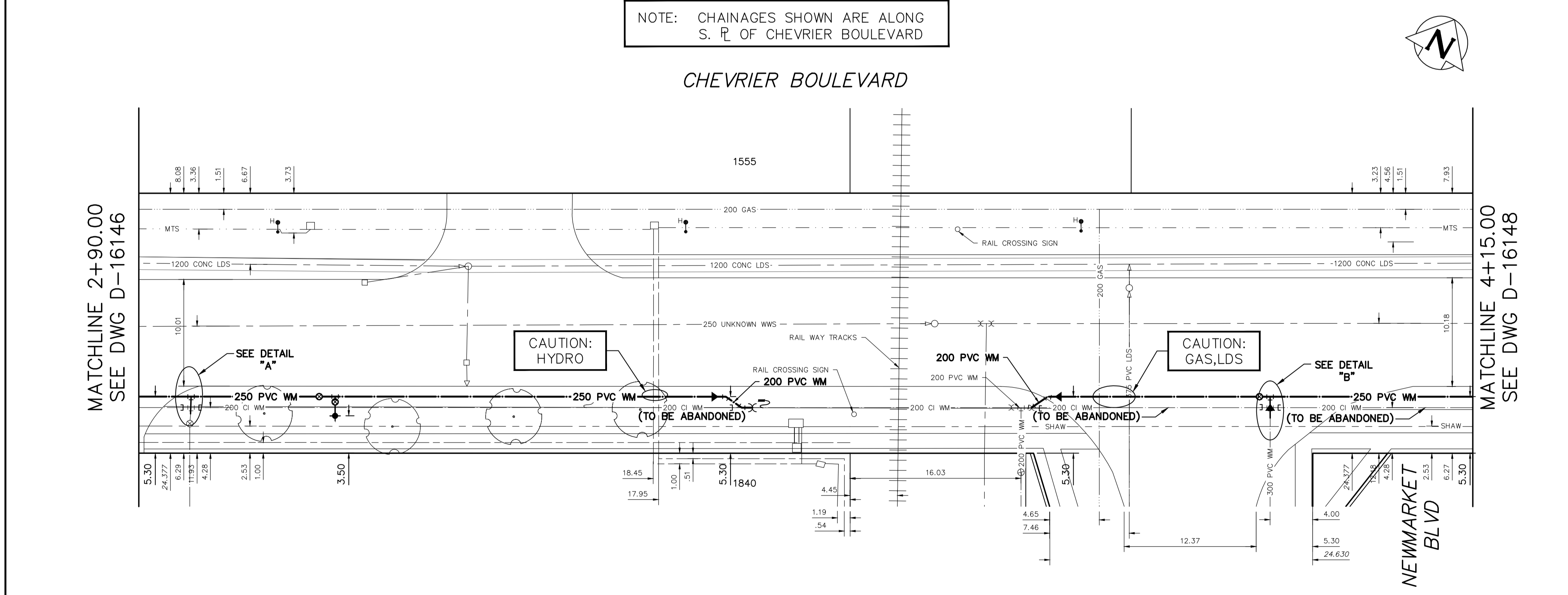
ADDRESS	SIZE (mm)	SIZE (mm)	SHORT & LONG MEASUREMENT	LINEAR DISTANCE (1) CORP LOCATION (2)	REMARKS
1840 CHEVRIER BLVD	200	200	155.57 EEL BLDG	OPP S/C	RECONNECT SERVICE
COMMERCIAL	UNKNOWN	UNKNOWN	183.809 W/L NEWMARKET BLVD		

(1) LINEAR DISTANCE FROM THE S/C TO THE CORP USED ALONG BENDS & CURVED R.O.W.
 (2) DIRECTION FROM S/C

* SERVICES TO BE RENEWED TO R. ALL OTHERS TO BE RECONNECTED

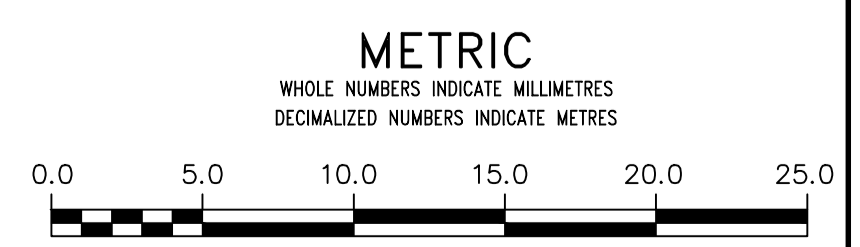


- CONSTRUCTION NOTES**
- Permanent restoration of the asphalt active transportation path, separate concrete splash strip and concrete sidewalk to be in accordance with E5.



FOR INDEX SEE D-16144

NOTE: ALL VALVES TO BE INSTALLED CLOCKWISE TO CLOSE



WARNING

IF POWER EQUIPMENT OR EXPLOSIVES ARE TO BE USED FOR EXCAVATION ON THIS PROJECT THE CONTRACTOR MUST:

- NOTIFY THE GAS COMPANY OF THE PROPOSED LOCATION OF EXCAVATION.
- TAKE PRECAUTION TO AVOID DAMAGE TO GAS COMPANY INSTALLATIONS.

SEE PROVINCIAL REGULATION 210/72 FOR DETAILS

LOCATION APPROVED UNDERGROUND STRUCTURES

SUPV. U/G STRUCTURES COMMITTEE DATE

NOTE: LOCATION OF UNDERGROUND STRUCTURES AS SHOWN ARE BASED ON THE BEST INFORMATION AVAILABLE BUT NO GUARANTEE IS GIVEN THAT ALL EXISTING UTILITIES ARE SHOWN OR THAT THE GIVEN LOCATIONS ARE EXACT. CONFIRMATION OF EXISTENCE AND EXACT LOCATION OF ALL SERVICES MUST BE OBTAINED FROM THE INDIVIDUAL UTILITIES BEFORE PROCEEDING WITH CONSTRUCTION.

VERTICAL DATUM: CGVD28 (HT2.0 Geoid)
 HORIZONTAL DATUM: NAD83 (June 1990), Zone 14

NO.	REVISIONS	DATE	BY

DESIGNED BY	RG	CHECKED BY	SC
DRAWN BY	RS	APPROVED BY	KZ
SCALE:		RELEASED FOR CONSTRUCTION	
HORIZONTAL	1:250		
VERTICAL	1:50		
DATE	2022 06 07	DATE	

PLOT DATE: 2022 06 07

ENGINEER'S SEAL

CONSULTANT DRAWING NUMBER

THE CITY OF WINNIPEG
 WATER AND WASTE DEPARTMENT
 ENGINEERING DIVISION

2022 WATER MAIN RENEWALS
 CONTRACT 13
 CHEVRIER BOULEVARD
 110.0 W OF NEWMARKET BOULEVARD TO
 15.0 E OF NEWMARKET BOULEVARD

SHEET 5 OF 11
 CITY DRAWING NUMBER
 D-16147