

WATER SERVICE INFORMATION

ADDRESS	SIZE (mm) MATERIAL (STREET)	SIZE (mm) MATERIAL (PROP.)	SHORT & LONG MEASUREMENT	LINEAR DISTANCE (1) CORP LOCATION (2)	REMARKS
1555 CHEVIER BLVD COMMERCIAL	200 UNKNOWN	200 UNKNOWN	73.92 WEL BLDG 100.411 WVL NEWMARKET BLVD	OPP S/C	RECONNECT SERVICE

(1) LINEAR DISTANCE FROM THE S/C TO THE CORP USED ALONG BENDS & CURVED R.O.W.
 (2) DIRECTION FROM S/C

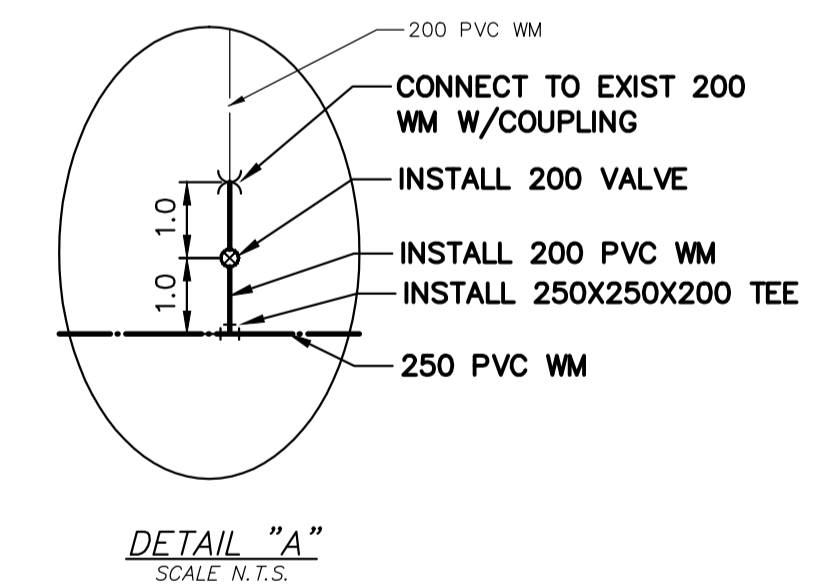
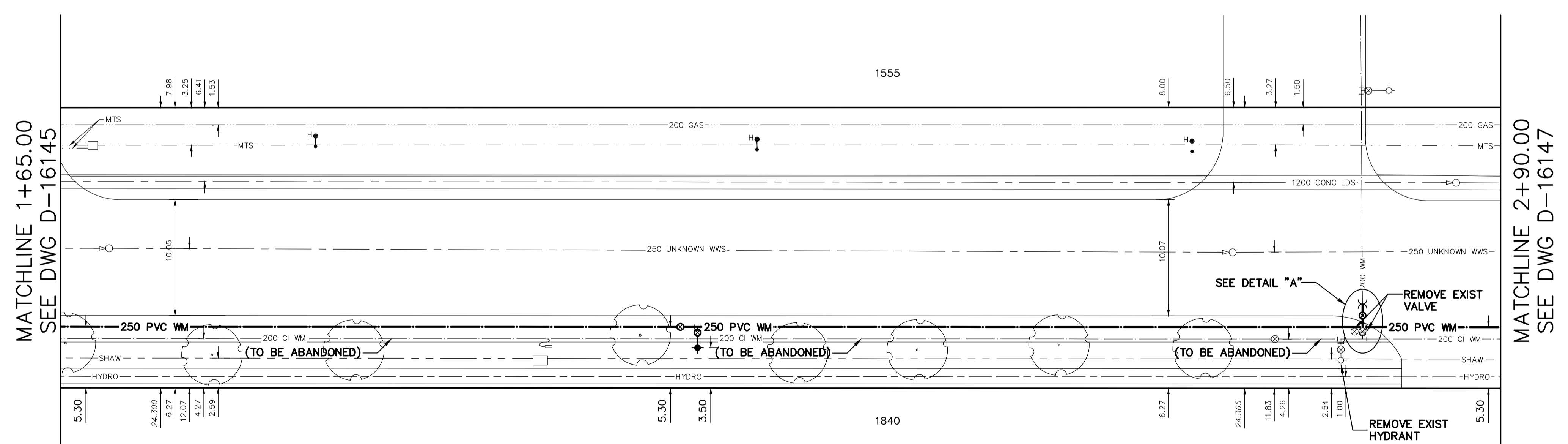
* SERVICES TO BE RENEWED TO R, ALL OTHERS TO BE RECONNECTED

NOTE: CHAINAGES SHOWN ARE ALONG S. R. OF CHEVRIER BOULEVARD

CHEVRIER BOULEVARD

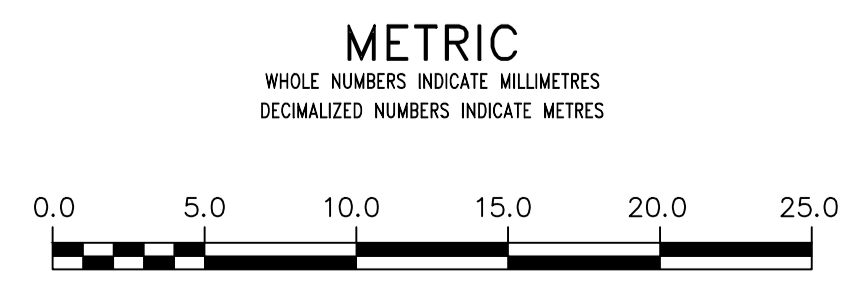
CONSTRUCTION NOTES

- Permanent restoration of the asphalt active transportation path, separate concrete splash strip and concrete sidewalk to be in accordance with E5.



FOR INDEX SEE D-16144

NOTE: ALL VALVES TO BE INSTALLED CLOCKWISE TO CLOSE



WARNING

IF POWER EQUIPMENT OR EXPLOSIVES ARE TO BE USED FOR EXCAVATION ON THIS PROJECT THE CONTRACTOR MUST:

- NOTIFY THE GAS COMPANY OF THE PROPOSED LOCATION OF EXCAVATION.
- TAKE PRECAUTION TO AVOID DAMAGE TO GAS COMPANY INSTALLATIONS.

SEE PROVINCIAL REGULATION 210/72 FOR DETAILS

LOCATION APPROVED UNDERGROUND STRUCTURES

SUPV. U/G STRUCTURES COMMITTEE DATE

NOTE:
 LOCATION OF UNDERGROUND STRUCTURES AS SHOWN ARE BASED ON THE BEST INFORMATION AVAILABLE BUT NO GUARANTEE IS GIVEN THAT ALL EXISTING UTILITIES ARE SHOWN OR THAT THE GIVEN LOCATIONS ARE EXACT. CONFIRMATION OF EXISTENCE AND EXACT LOCATION OF ALL SERVICES MUST BE OBTAINED FROM THE INDIVIDUAL UTILITIES BEFORE PROCEEDING WITH CONSTRUCTION.

VERTICAL DATUM: CGVD28 (HT2.0 Geoid)
 HORIZONTAL DATUM: NAD83 (June 1990), Zone 14

NO.	REVISIONS	DATE	BY
X	REVISIONS	YYYY/MM/DD	XX

DESIGNED BY	RG	CHECKED BY	SC
DRAWN BY	AOM	APPROVED BY	KZ
SCALE:		RELEASED FOR CONSTRUCTION	
HORIZONTAL	1:250		
VERTICAL	1:50		
DATE	2022 05 12	DATE	

PLOT DATE: 2022 05 12

ENGINEER'S SEAL

CONSULTANT DRAWING NUMBER

THE CITY OF WINNIPEG
 WATER AND WASTE DEPARTMENT
 ENGINEERING DIVISION

2022 WATER MAIN RENEWALS
 CONTRACT 13
 CHEVRIER BOULEVARD
 235 W OF NEWMARKET BOULEVARD TO
 110.0 W OF NEWMARKET BOULEVARD

SHEET 4 OF 11
 CITY DRAWING NUMBER
 D-16146