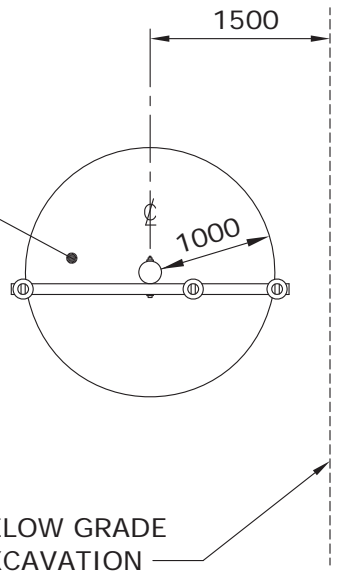


APPENDIX 'L'

**ALLOWABLE EXCAVATIONS
AROUND MANITOBA HYDRO
POLES**

FOR CHANGES IN GRADE,
THE MINIMUM AMOUNT OF
UNDISTURBED EARTH TO BE
LEFT ALL AROUND POLES
SHALL BE 1000mm

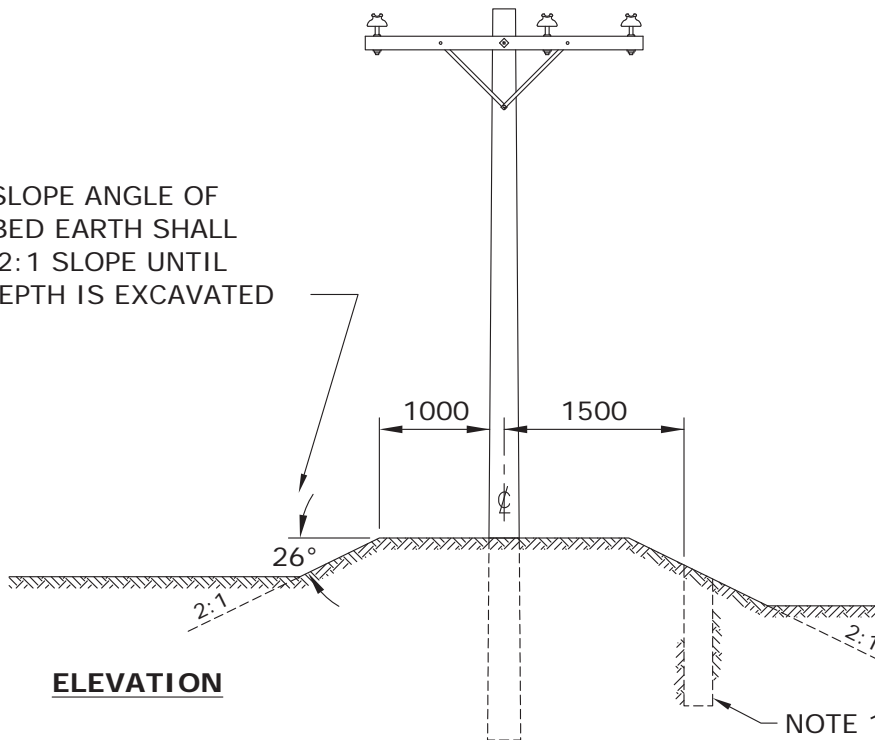


PLAN

BELOW GRADE
EXCAVATION

NOTE:
DIMENSIONS SHOWN
ARE MILLIMETRES.

MAXIMUM SLOPE ANGLE OF
UNDISTURBED EARTH SHALL
BE 26° OR 2:1 SLOPE UNTIL
DESIRED DEPTH IS EXCAVATED



ELEVATION

NOTE 1

NOTE:

1. THE MINIMUM SEPARATION (TO ANY SIDE OF A POLE) FOR EXCAVATIONS DEEPER THAN 500mm WITHOUT REGIONAL ENGINEERING INVOLVEMENT SHALL BE 1500mm, EXCAVATIONS TO BE BACKFILLED & TAMPED TO MAINTAIN SLOPE.

APPROVED		REVISIONS		MANITOBA HYDRO DISTRIBUTION STANDARDS		
ORIGINAL DRAWING SEALED BY E.H. WIEBE 94-07-11				ALLOWABLE EXCAVATIONS AROUND EXISTING POLES		
		06-02	2			REVISED SLOPE & ADDED MORE EXPLANATION TO NOTES
		95-04	1			MINIMUM SEPARATION ADDED
DRAWN W.B./CAD	CHECKED D.F.	DATE 93-03	CD 30-55		SHT 0001 OF 1	
					REV 02	