

**CONSTRUCTION NOTES:**

1. REMOVED AND DISPOSED OF CONSTRUCTION MATERIALS FROM SITE DAILY.
2. PROVIDED TEMPORARY SECURITY FENCE AROUND CONSTRUCTION INCLUDING EQUIPMENT AND MATERIALS AT ALL TIMES.

**NOTES:**

1. THIS DRAWING IS ONLY A SKETCH BASED ON THE EXISTING DRAWINGS. THE LOCATION OF UNDERGROUND STRUCTURES AND DIMENSIONS ARE NOT EXACT.
2. THE CONTRACTOR IS RESPONSIBLE FOR CONFIRMING ALL DIMENSIONS AND CONFIRMING, THE LOCATION OF THE BURIED UTILITIES PRIOR TO ASSOCIATED CONSTRUCTION.

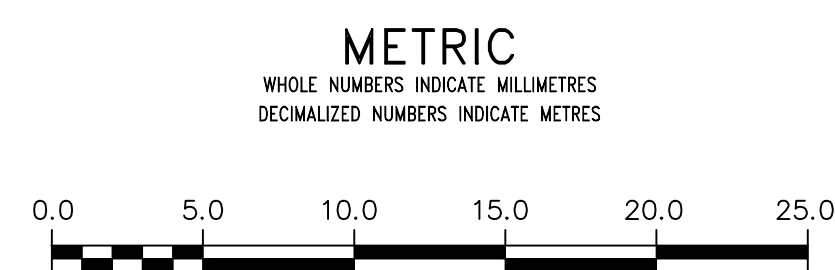
**SITE PLAN**

**CONTRACTOR: ROCKY ROAD RECYCLING**

**RECORD DRAWING**  
WATER AND WASTE DEPARTMENT

**CONSTRUCTION COMPLETION DATE: 17/03/31**

FOR INDEX SEE  
1-0110A-D0001-001



LOCATION APPROVED UNDERGROUND STRUCTURES

SUPV. U/G STRUCTURES COMMITTEE DATE

NOTE:  
LOCATION OF UNDERGROUND STRUCTURES AS SHOWN ARE BASED ON THE BEST INFORMATION AVAILABLE BUT NO GUARANTEE IS GIVEN THAT ALL EXISTING UTILITIES ARE SHOWN OR THAT THE GIVEN LOCATIONS ARE EXACT. CONFIRMATION OF EXISTENCE AND EXACT LOCATION OF ALL SERVICES MUST BE OBTAINED FROM THE INDIVIDUAL UTILITIES BEFORE PROCEEDING WITH CONSTRUCTION.

B.M. ELEV.				
1	REVISED TO RECORD DRAWING	18/06/05	RS	
NO.	REVISIONS	DATE	BY	

DESIGNED BY	NC	CHECKED BY	NC
DRAWN BY	RS	APPROVED BY	NC
SCALE:		RELEASED FOR CONSTRUCTION	
HORIZONTAL	1:1000		
VERTICAL	1:1000		
DATE	2019 08 14	DATE	

ENGINEER'S SEAL

ORIGINAL MYLAR SIGNED BY S.R.J. COURNOYER 19/08/07

CONSULTANT DRAWING NUMBER

**THE CITY OF WINNIPEG**  
WATER AND WASTE DEPARTMENT  
ENGINEERING DIVISION

2016 COMMUNOTOR CHAMBER PIPING & VALVE UPGRADES SITE PLAN  
**LINDEN LIFT STATION**  
LINDEN AVENUE @ KILDONAN DRIVE

SHEET 5 OF 8  
CITY DRAWING NUMBER 1-0155L-G0001-001

PLOT DATE: 2019 08 14

BID OPPORTUNITY: 854-2016

FILE PATH: R:\DRAWINGS\SEWER\1-0155L-G0001-001.dwg  
FILE NAME: 1-0155L-G0001-001.dwg



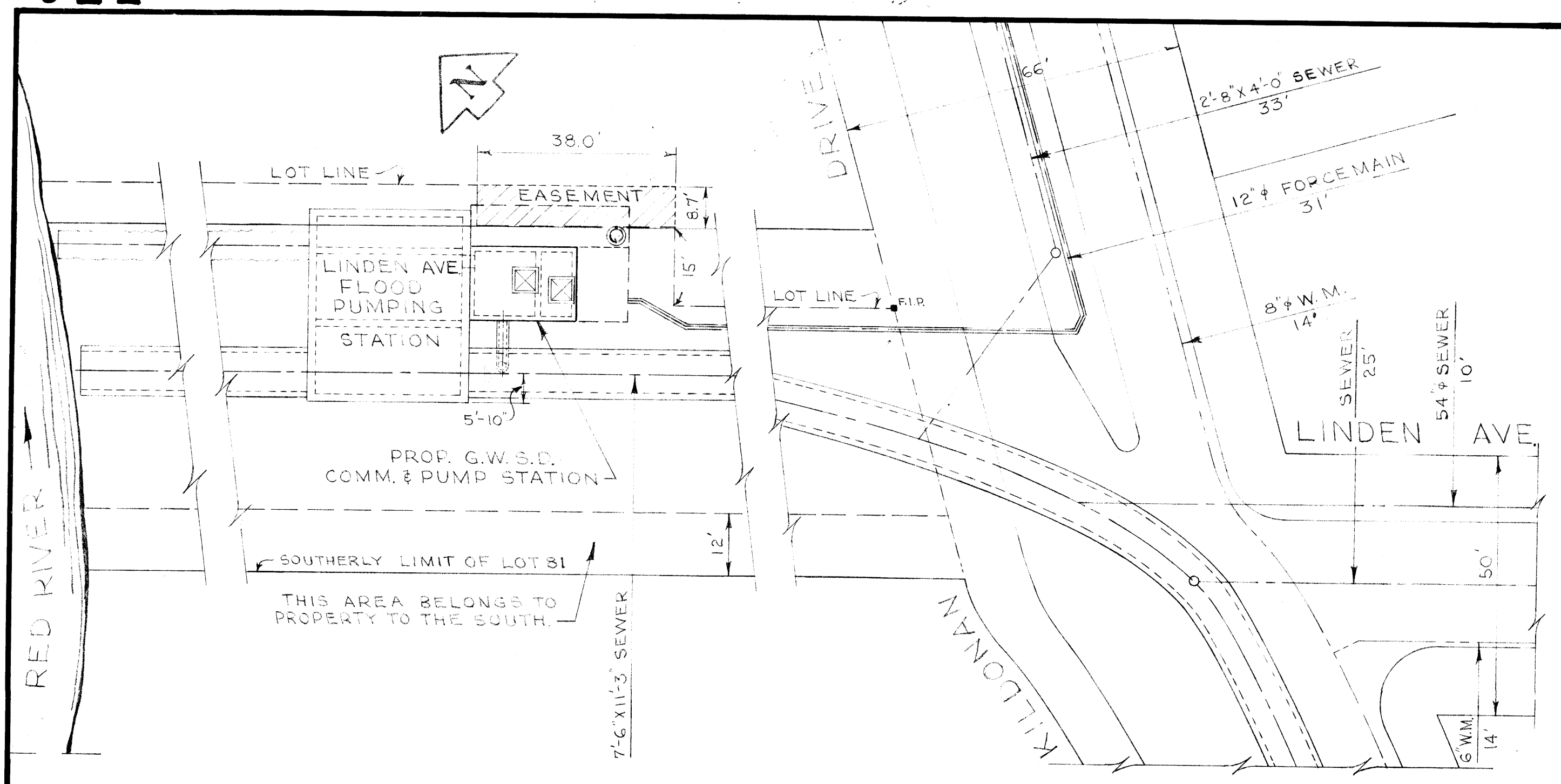




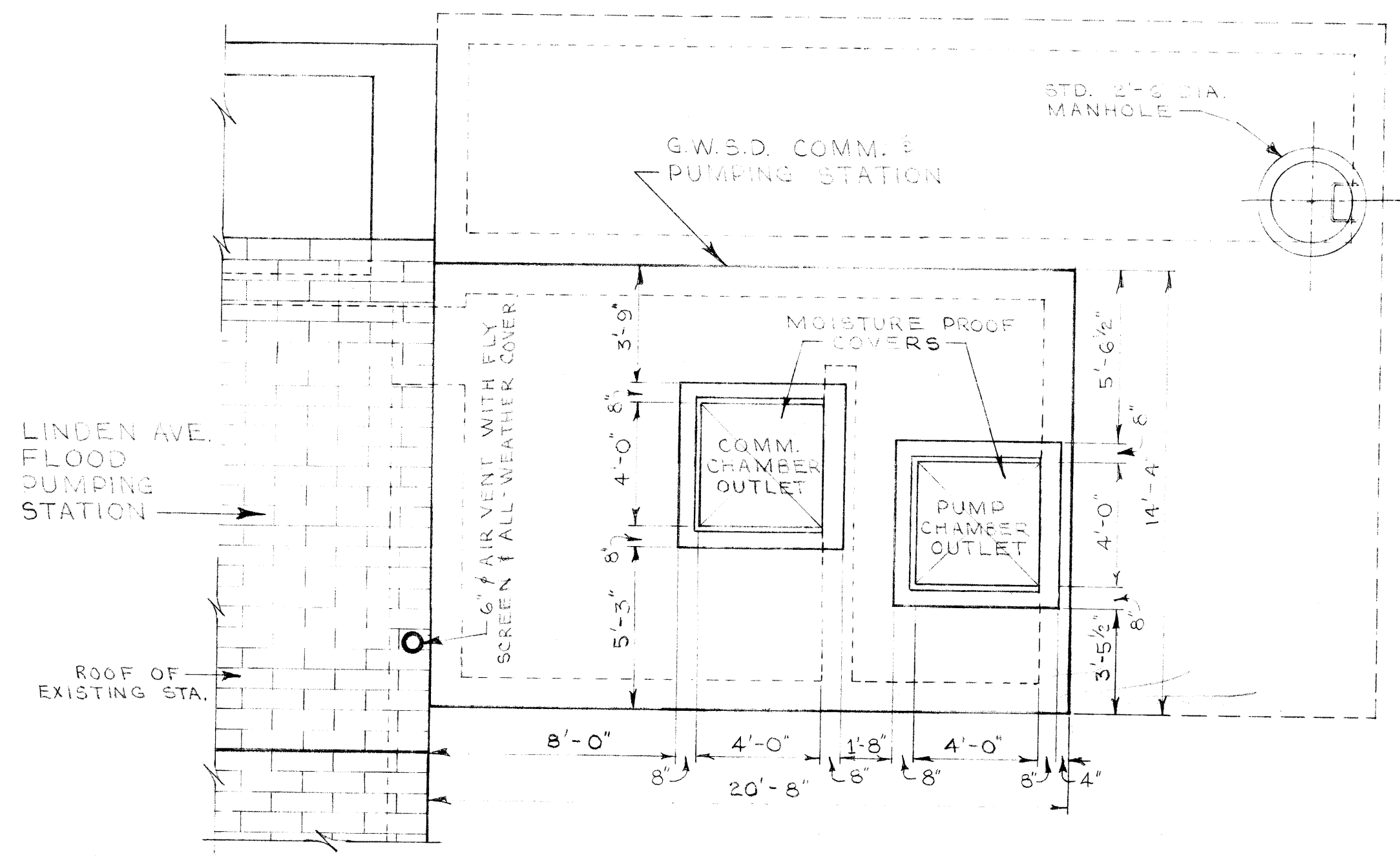
File # SP 10080

336

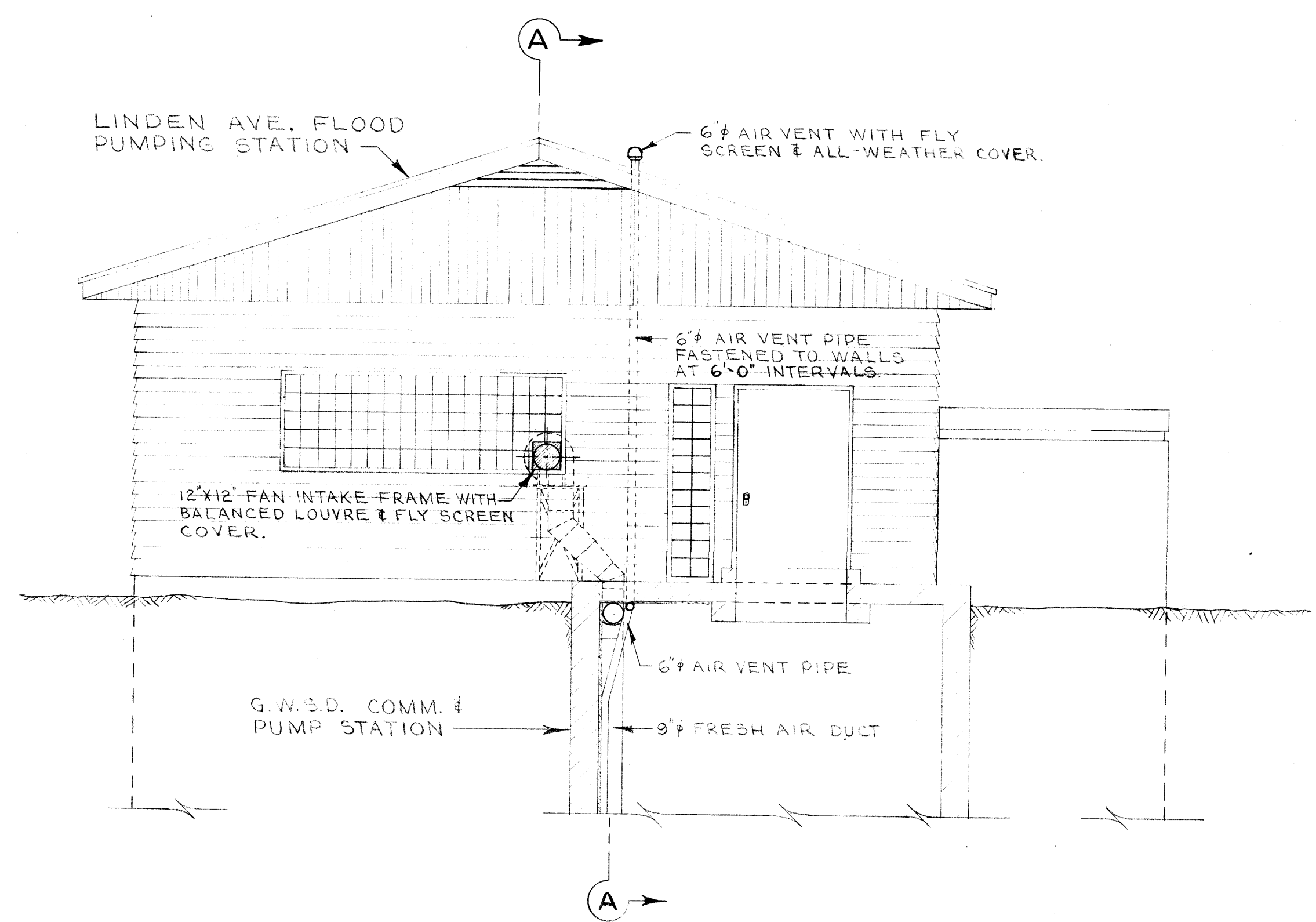
REF. or DRAWING No. DETAILS



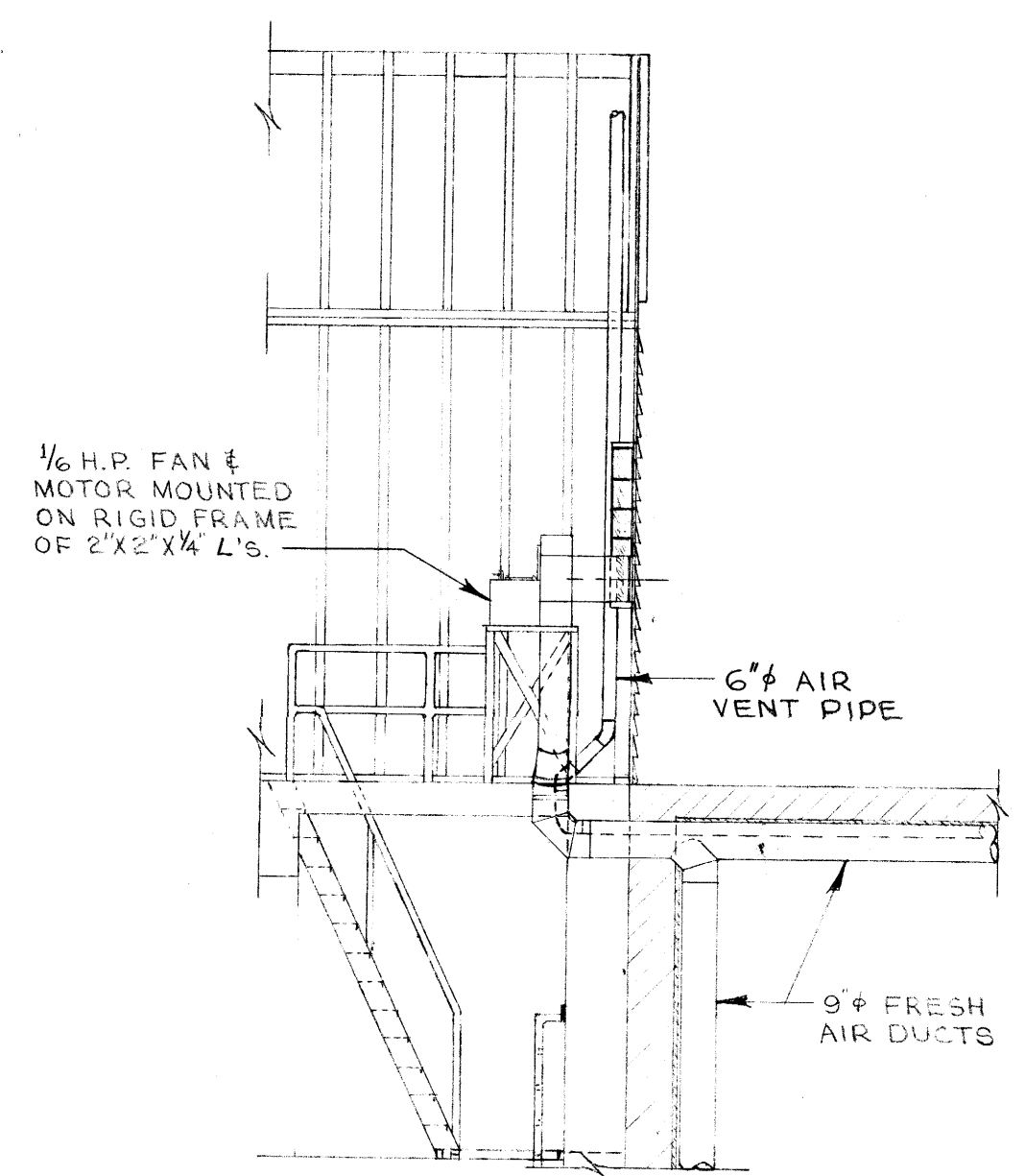
SITE PLAN SCALE - 1" = 20'



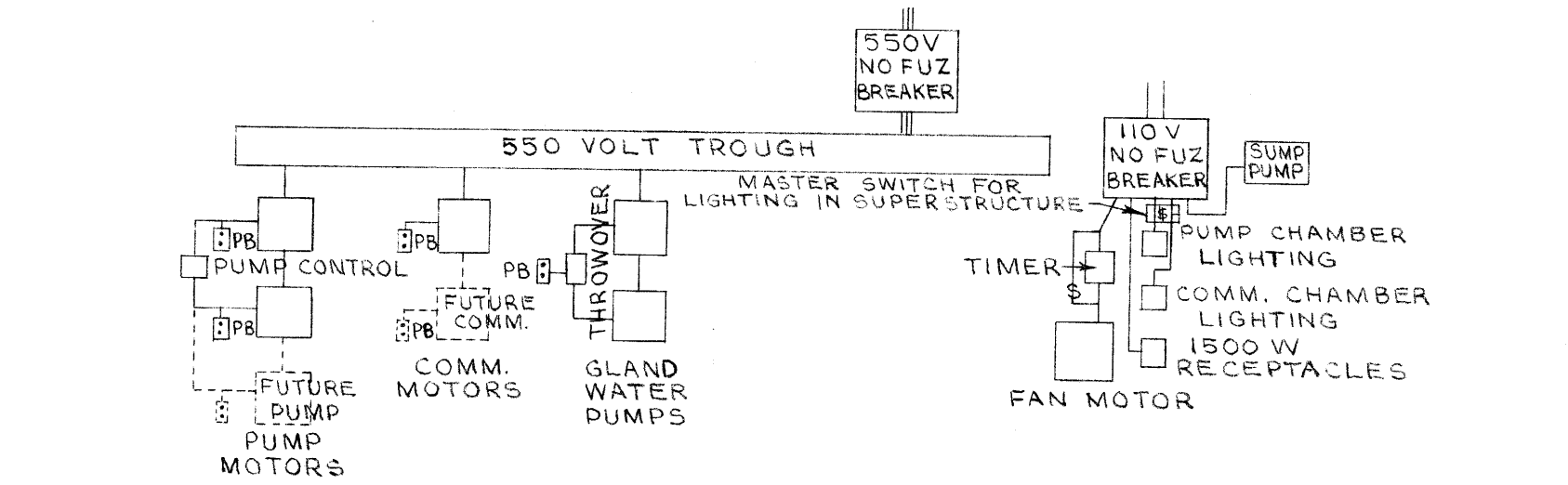
TOP VIEW OF COMM. & PUMPING STATION SCALE - 1/4" = 1'-0"



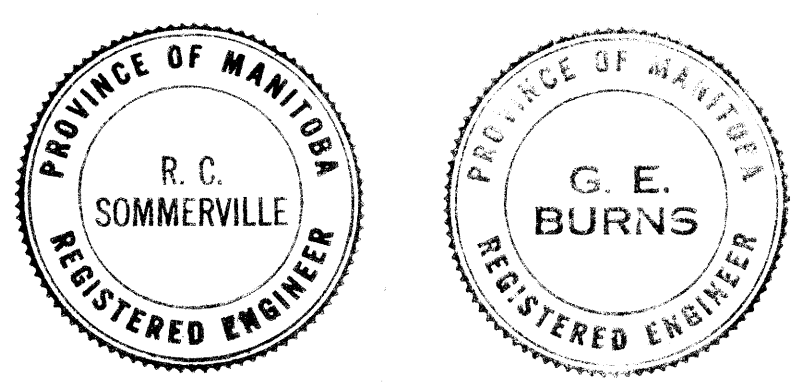
ELEV. OF EAST FACE OF FLOOD PUMPING STA. AND X-SEC. THRU COMM. CHAMBER LOOKING WEST SCALE - 1/4" = 1'-0"



SEC. "A-A" SCALE - 1/4" = 1'-0"



LOCATE DISTRIBUTION PANEL ON NORTH WALL OF LINDEN AVE. FLOOD PUMPING STATION SUPERSTRUCTURE. SCHEMATIC ELECTRICAL DIAGRAM



REVISIONS				DATE BY	
NO.	DESCRIPTION	DATE	BY		

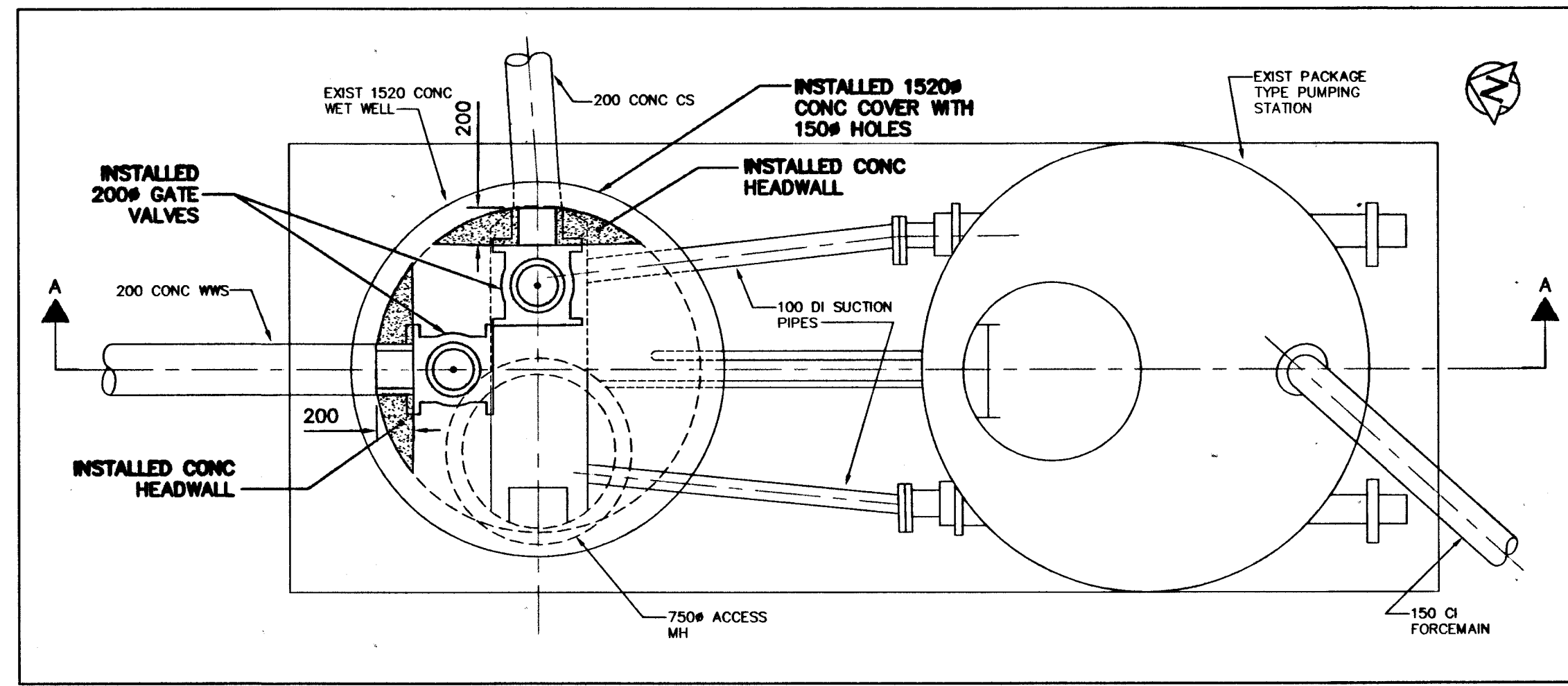
APPROVED BY Supt. A. Lemay CHIEF ENGINEER				DESIGNED BY G.E. BURNS DRAWN BY S.K.	CHECKED BY G.E. B. DATE 28 OCT. 59.	DRAWING 33
SCALES AS NOTED				336		Micro-Filmed 19

SEC. "B"

GREATER WINNIPEG SANITARY D SECONDARY SEWERS

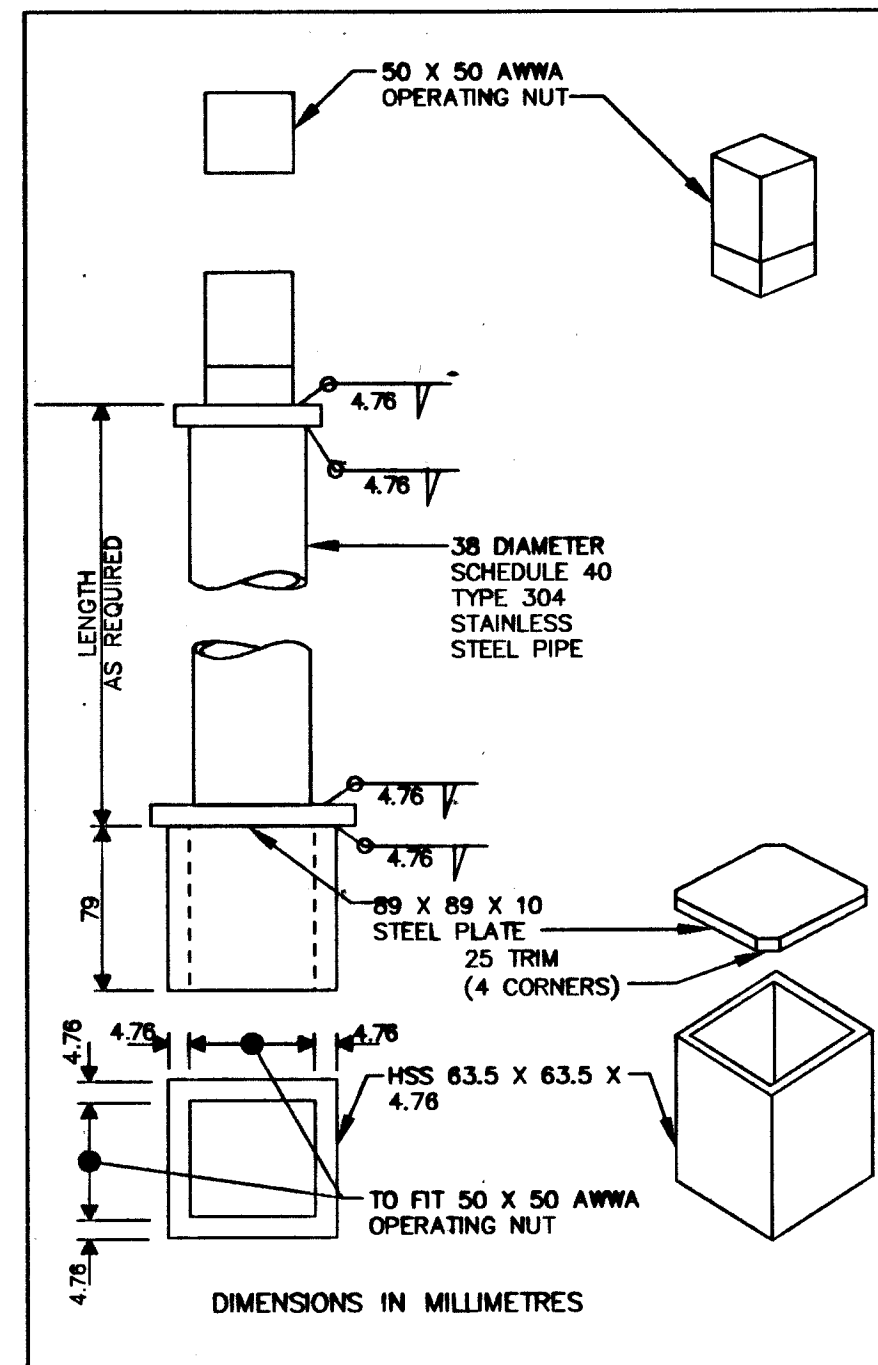
LINDEN COMM. & PUMPING SITE PLAN & MISC. DETAIL





PLAN AT ELEV 225.00

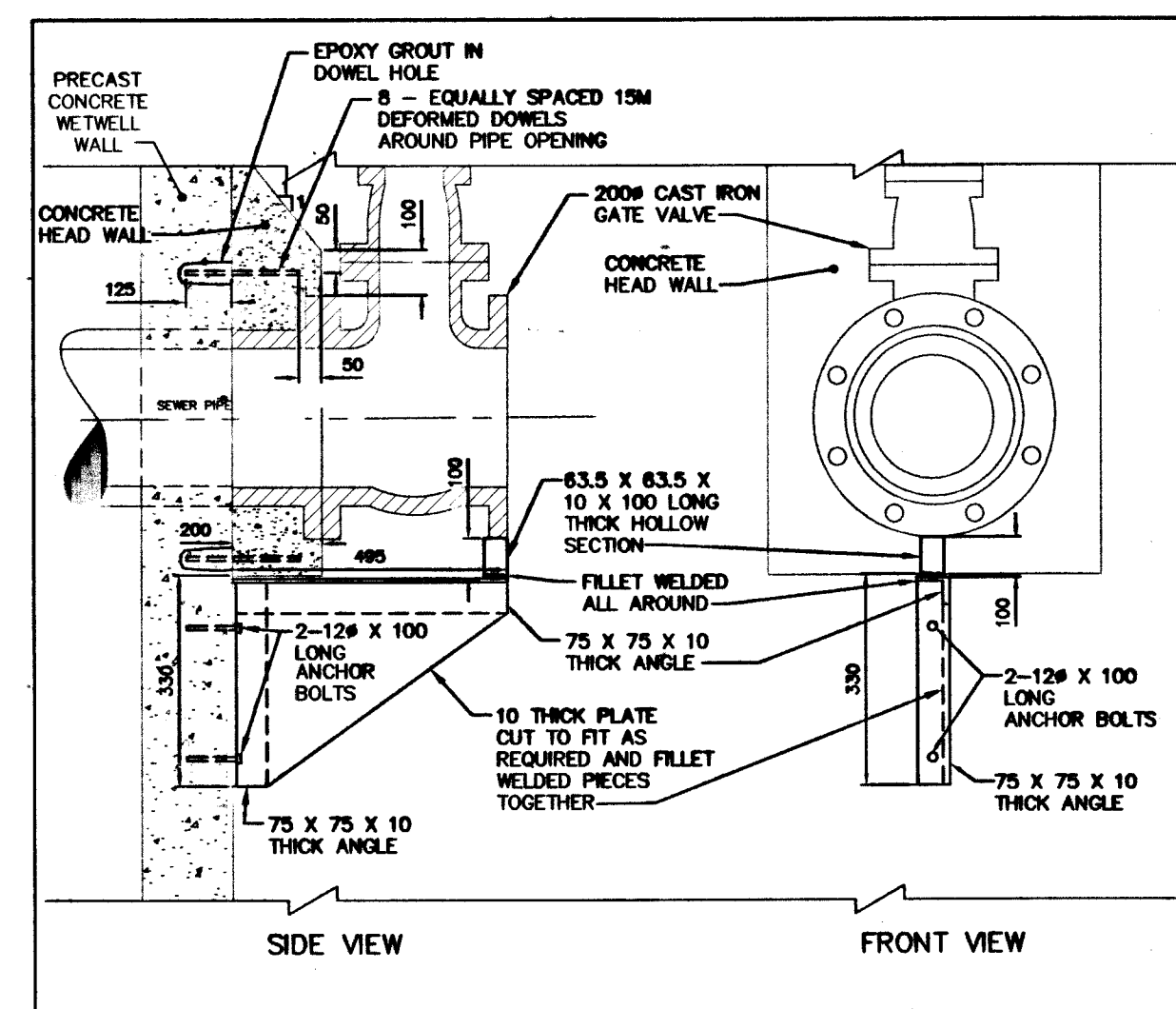
SCALE 1:25



VALVE STEM EXTENSION DETAIL

SCALE N.T.S.

- REPLACED EXIST BUBBLER LINE TO LIFT STATION
- NEW FLIGHT BALL INSTALLED
- 4.90 FROM FLIGHT BALL TO MH RIM



VALVE SUPPORT DETAIL

SCALE N.T.S.

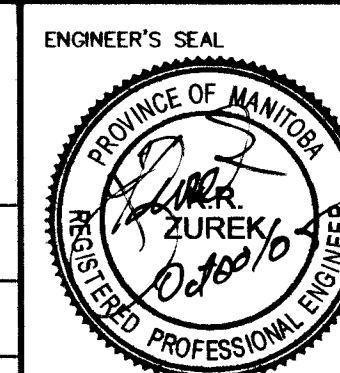
CONSTRUCTION NOTES:

1. ALL NUTS, BOLTS, ANCHORS, AND FASTENERS ARE ASTM A276 TYPE 316 STAINLESS STEEL.
2. ALL STRUCTURAL STEEL IS ASTM A240 TYPE 304 STAINLESS STEEL.
3. EXCAVATION BACKFILLED WITH CLASS 3 BACKFILL IN ACCORDANCE CW 2030 AND SD-002.
4. INSTALLED RISER SECTIONS IN ACCORDANCE WITH CW 2130.

ITEM	MANUFACTURER	MODEL	MATERIAL	CLASS
WATERMAIN GATE VALVE (RISING STEM)	JENKINS		CI	
VALVE BOX	IPEX		PVC	SDR35
SPINDLE	A POST MANUFACTURER		CI	
FRAME & COVER	TITAN FOUNDRY		CI	
COUPLINGS	MUELLER CANADA		CONCRETE	
CONCRETE COLLARS	LAFARGE		CONCRETE	
SEWER FLEXIBLE TRANSITION COUPLINGS	MISSION COUPLINGS		CONCRETE	
COPPER PIPE	WOLVERINE		COPPER	
SEWER PIPE	IPEX		PVC	SDR35
GROUT	SIKA ZIC			
BUBBLE TUBE	SCHEDULE 80			
TAPPING SLEEVE	IPEX		STAINLESS STEEL	
	MUELLER CANADA			

CONTRACTOR: TRI CORE PROJECTS MANITOBA LTD.

CITY OF WINNIPEG  
WATER AND WASTE  
ENGINEERING DIVISION



BID OPPORTUNITY: 579-2004  
FILENAME: 05525.dwg  
PLOT DATE: 2005 10 05

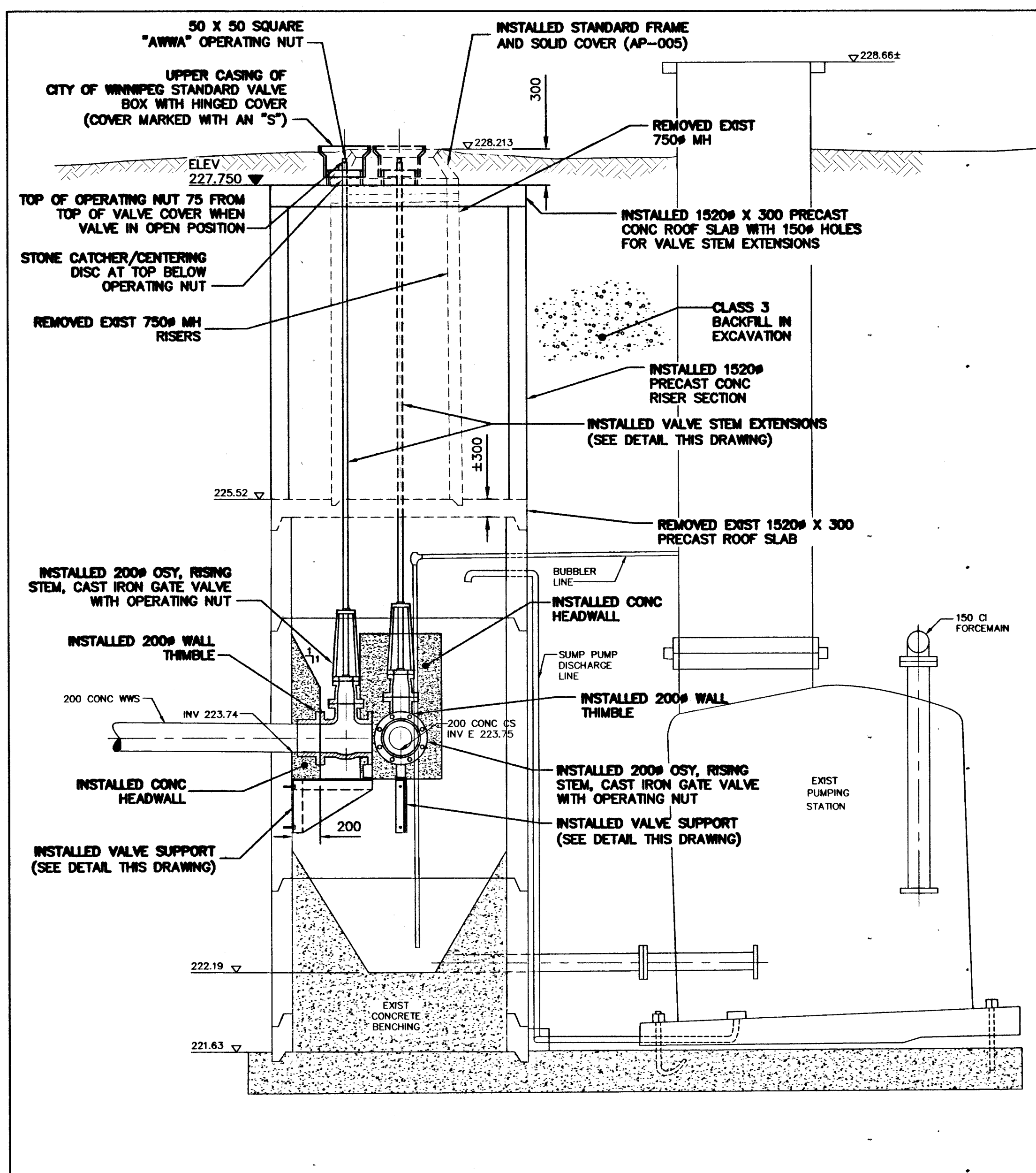
SITE PLAN  
SCALE 1:500



METRIC  
WHOLE NUMBERS INDICATE MILLIMETRES  
DECIMALIZED NUMBERS INDICATE METRES

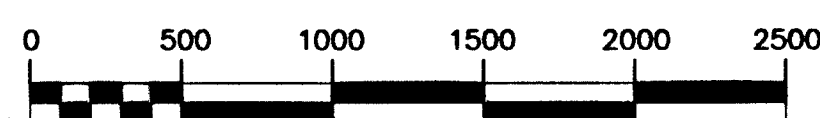
**RECORD DRAWING**  
WATER AND WASTE DEPARTMENT

PROJECT COMPLETION DATE: 2005 03 11



SECTION A-A

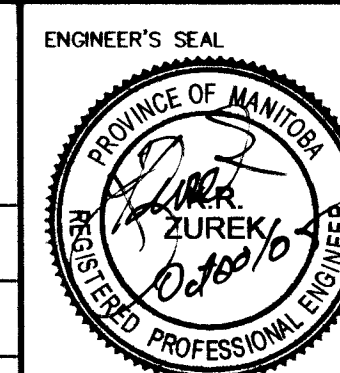
SCALE 1:25



B.M. 35-024  
ELEV. 230.714

DESIGNED BY	DB	CHECKED BY	TW
DRAWN BY	WKT/CJH	APPROVED BY	KZ
SCALE	AS SHOWN	RELEASED FOR CONSTRUCTION	
1.) REVISED TO RECORD DRAWING	05.10.04	CJH	
NO. REVISIONS	DATE	BY	
	2004.12.03		

CITY OF WINNIPEG  
WATER AND WASTE  
ENGINEERING DIVISION



BID OPPORTUNITY: 579-2004  
FILENAME: 05525.dwg  
PLOT DATE: 2005 10 05

THE CITY OF WINNIPEG  
WATER AND WASTE DEPARTMENT  
Winnipeg

2004 WASTEWATER PUMPING STATIONS  
INLET CONTROL VALVE INSTALLATIONS

KILDONAN PARK WASTEWATER  
PUMPING STATION

SHEET 3 OF 7

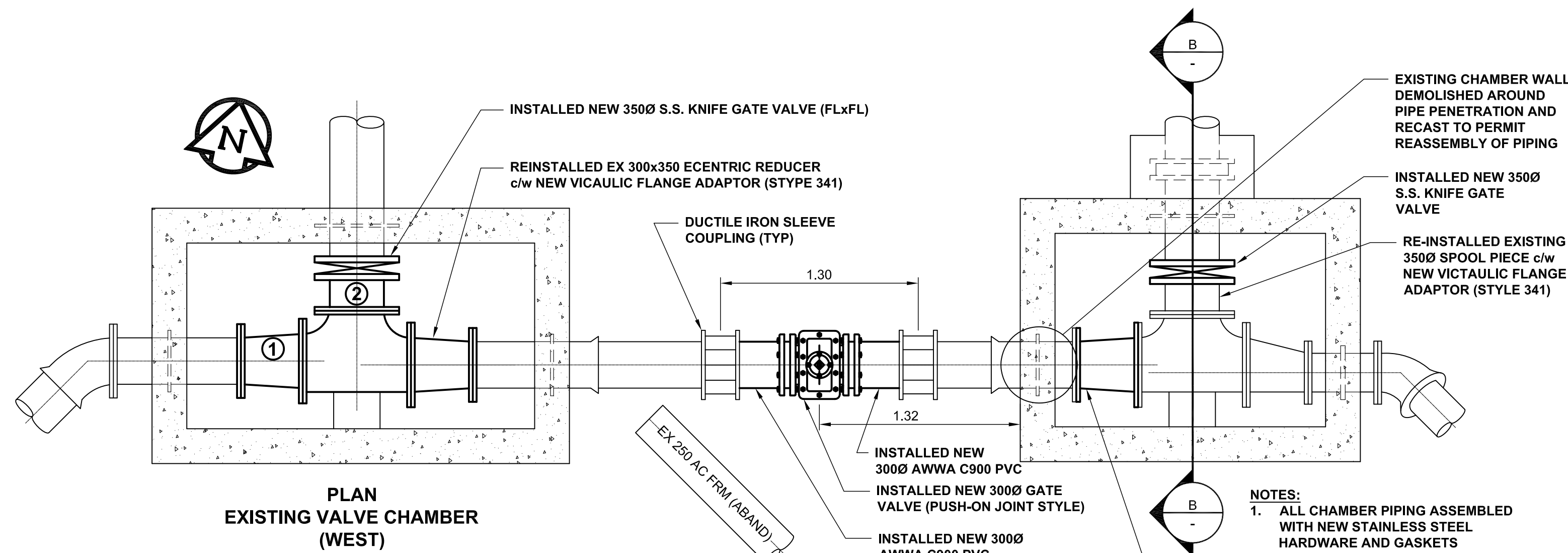
05525



D SIZE 22" x 34" (559mm x 864mm)

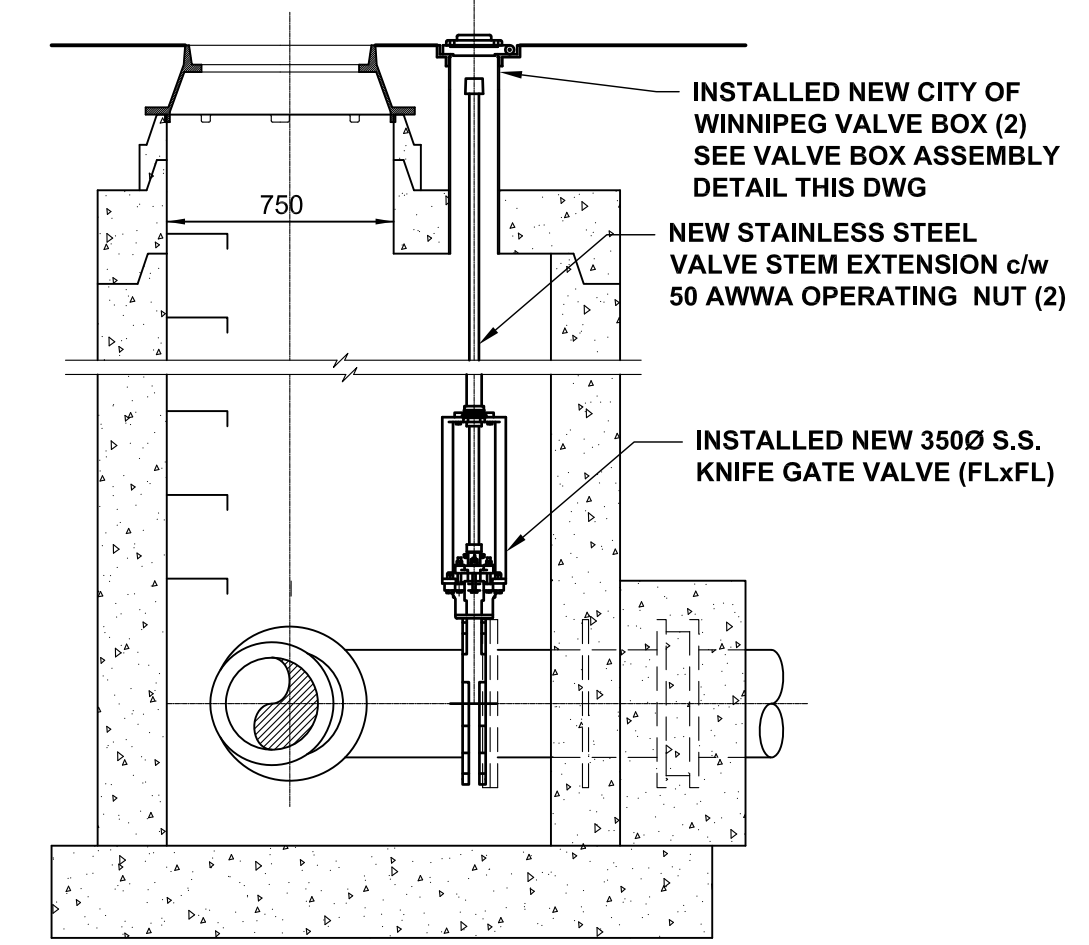
PLOT: 3/28/2017 11:25:55 AM

AECOM FILE NAME: D-14389.dwg Saved By: tvellenth



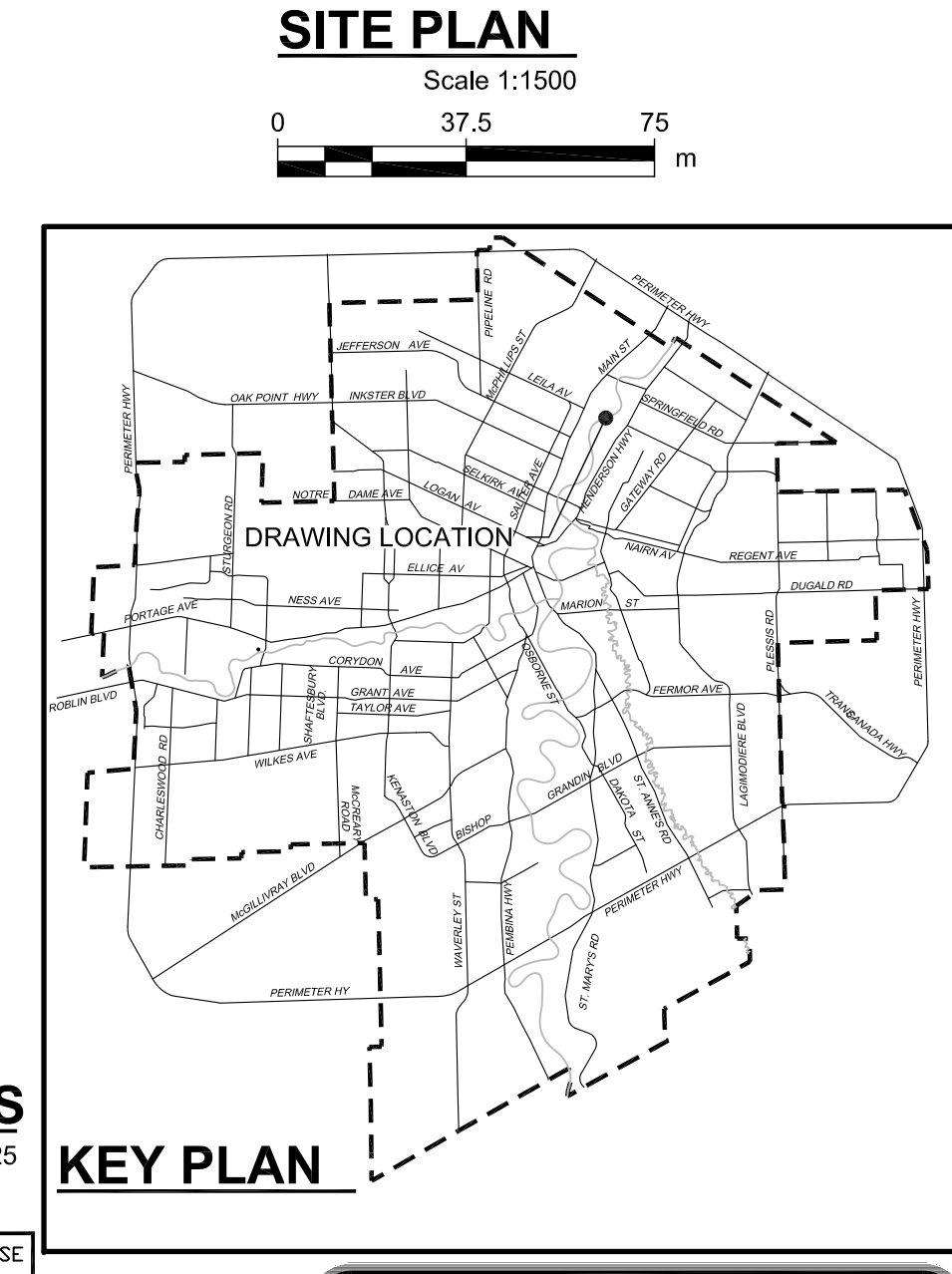
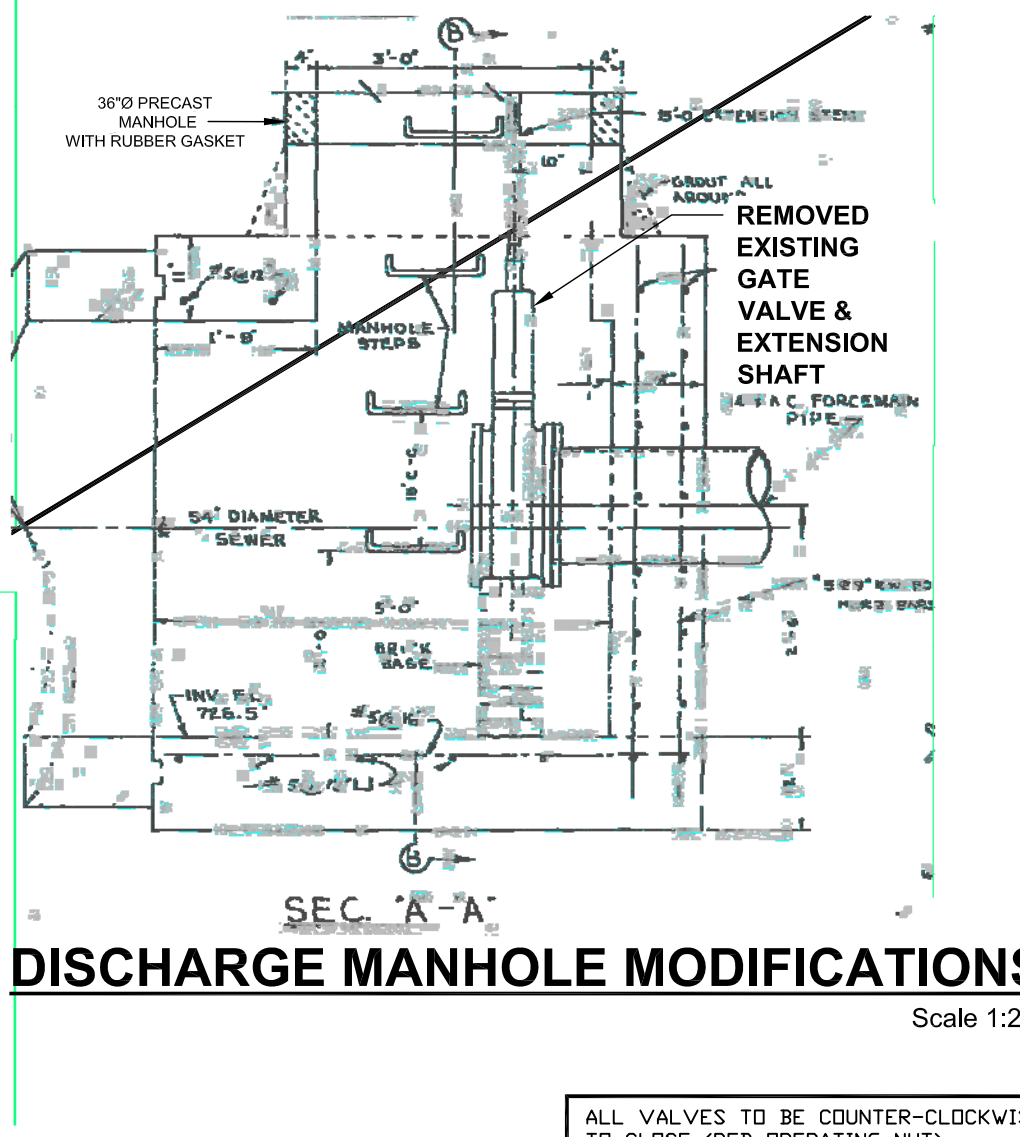
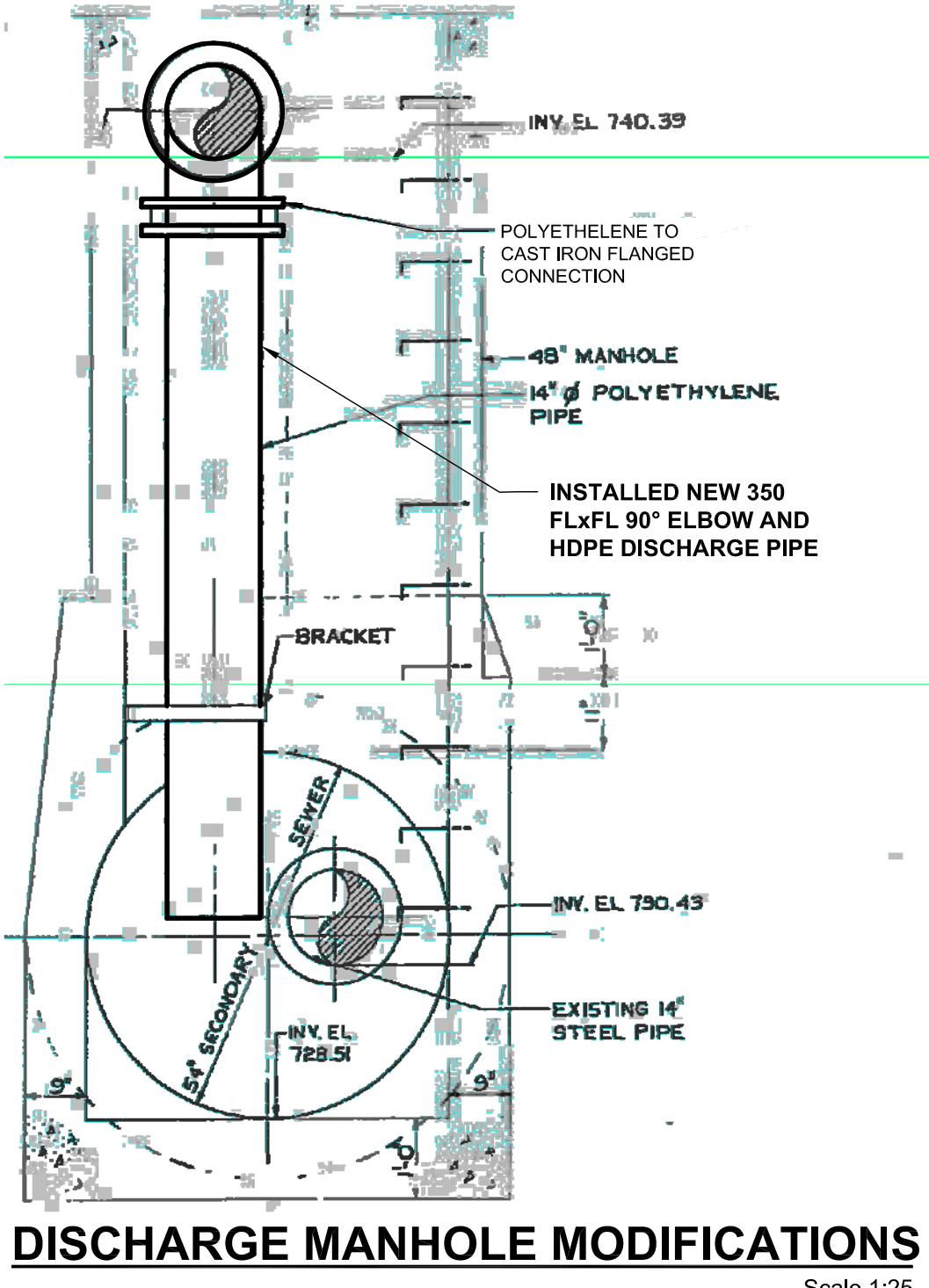
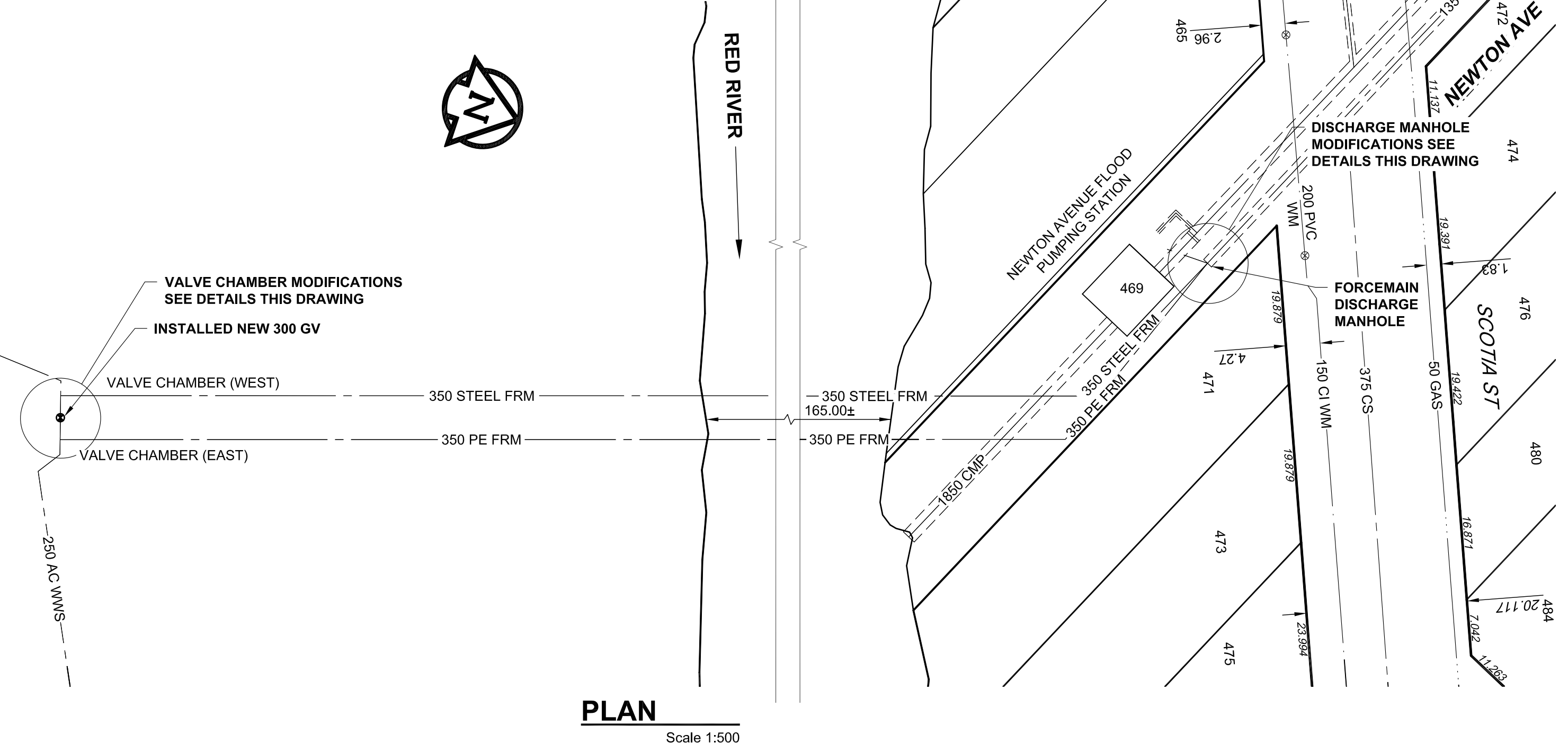
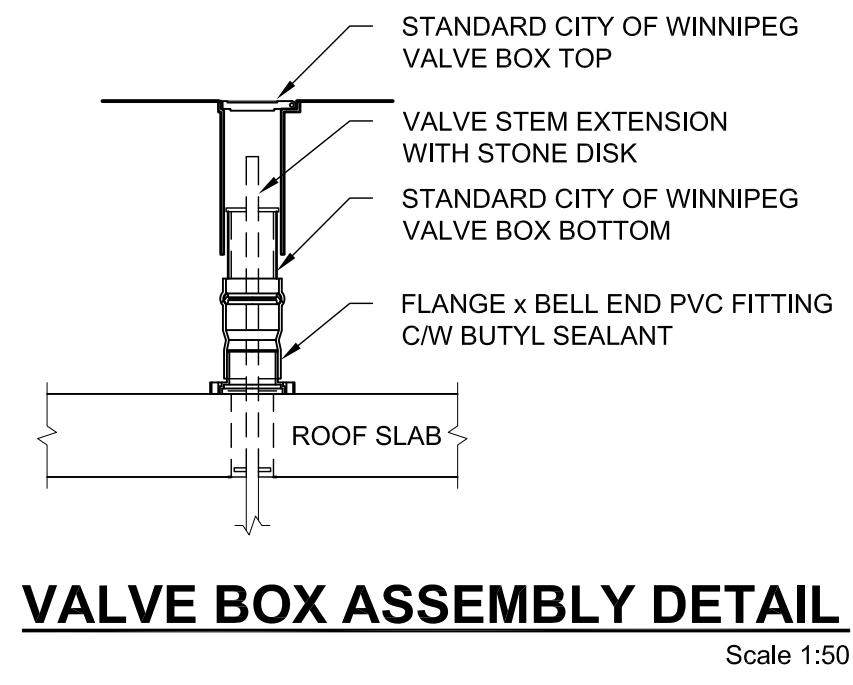
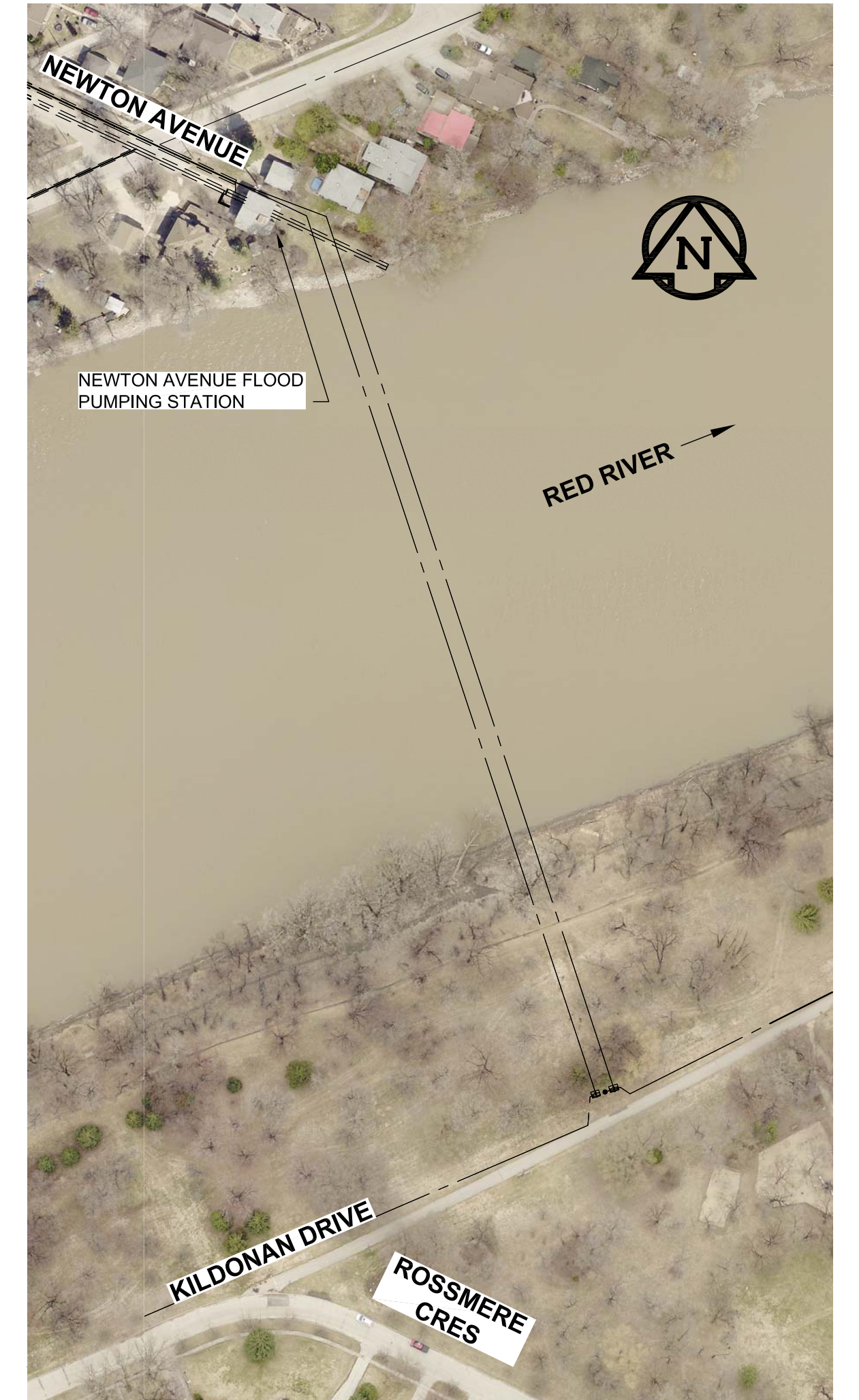
- INSTALLED DUCTILE IRON FITTINGS NOTES:**
- NEW 300x350 AWWA C110 CONCENTRIC REDUCER (FLxFL) c/w VICTAULIC FLANGE ADAPTOR (STYLE 341)
  - NEW 350 (FL x VICTAULIC) AWWA C151 DUCTILE IRON PIPE SPOOL PIECE (241mm LONG) c/w VICTAULIC FLANGE ADAPTOR (STYLE 341).

**CHAMBER MODIFICATIONS**  
Scale 1:25



**MATERIAL LIST**

ITEM	MANUFACTURER	MATERIAL SPECIFICATION	SPECIAL FEATURES
<b>WATER WORKS</b>			
300 PVC PIPE (150 to 300)	IPEX INC.	AWWA C900 CSA B137.3	"BLUE BRUTE" DR-18
300 GATE VALVES (150 to 300)	CLOW CANADA	AWWA C509 MODEL F-6112	RESILIENT WEDGE GATE VALVE C/W TO OPEN (RED TOP)
IRON COUPLINGS (STRAIGHT or TRANSITION) (300)	ROBAR INDUSTRIES LTD.	AWWA C219 AWWA C213 ASTM A636 GRADE 65-45-12 MODEL "1586"	FBE-COATED D.I. SLEEVE & END RINGS AND DI-ELECTRIC WASHERS
VALVE BOX UPPER CASING	W.D. VALVE BOXES LTD.	C.I. - ASTM A-48 CLASS 30B CONFORMS TO AP-001 AWWA C900 CSA B137.3	CASING MARKED "WDVB" & "S" LID MARKED "WDVB" & "S" IPS, NON-PRESSURE
150 PVC PIPE (150 to 300)	IPEX INC.	AWWA C900	
150 SOLVENT WELD PVC FITTING STAINLESS STEEL VALVE STEM EXTENSION	IPEX INC.	CSA B137 ASTM A312	50 MM AWWA OPERATING NUT
350 STAINLESS STEEL KNIFE GATE VALVE	DEZURIK	AWWA C520	BODY, GATE, BOLTS 316 STAINLESS STEEL
300 VIC-FLANGE ADAPTER 350 VIC-FLANGE ADAPTER	VICTAULIC	AWWA C606 AWWA C606	STYLE 341
350 DUCTILE IRON TEE (FLANGED)	METALFIT INC.	AWWA C111, AWWA C104, AWWA C210	EPOXY COATED
300 X 350 DUCTILE IRON CONCENTRIC REDUCER (FLANGED)	METALFIT INC.	AWWA C111, AWWA C104, AWWA C210	CEMENT MORTAR LINED
350 DUCTILE IRON SPOOL PIECE (FLANGE X VICTAULIC)	METALFIT INC.	AWWA C115, AWWA C606, AWWA C104, AWWA C210	EPOXY COATED
350 DUCTILE IRON 90 DEGREE BEND (FLANGED)	METALFIT INC.	AWWA C111, AWWA C104, AWWA C210	CEMENT MORTAR LINED
350 HDPE PIPE ANODES - ZINC	WL PLASTICS	AWWA C906, ASTM F714 ASTM B418 - TYPE II	IPS, DR 17, PE3608 RESIN ZINC WEIGHT 10.9 kg
PETROLATUM TAPE CORROSION PROTECTION	INTERPROVINCIAL CORROSION CONTROL COMPANY LIMITED, DENSO NORTH AMERICA	AWWA C2017	PROFILING MASTIC PETROLATUM TAPE OUTER WRAP
<b>CONTRACTOR:</b> TRI-CORE PROJECTS MANITOBA LTD. AUGUST TO NOVEMBER 2014			
<b>CONSTRUCTION PERIOD:</b> N/A			
<b>FIELD BOOK NO.:</b> N/A			



**RECORD DRAWING**  
BID OPPORTUNITY NO. 457-2014

EXISTING	LEGEND - PLAN	NEW	EXISTING	LEGEND - PLAN	NEW	EXISTING	LEGEND - PROFILE	NEW
150 WM	WATERMAIN	150 WM	CURB STOP	150 WM	WATERMAIN	150 WM	WATERMAIN	150 WM
300 LDS	HYDRANT	300 LDS	REDUCER	300 LDS	HYDRANT	300 LDS	HYDRANT	300 LDS
250 WWS	VALVE	250 WWS	COUPLING	250 WWS	VALVE	250 WWS	VALVE	250 WWS
	LAND DRAINAGE SEWER		ANODE		LAND DRAINAGE SEWER		LAND DRAINAGE SEWER	
	WASTE WATER SEWER		HYDRO		WASTE WATER SEWER		WASTE WATER SEWER	
	MANHOLE		MTS		PAVEMENT CROWN		PAVEMENT CROWN	
	CATCH BASIN		GAS		N/W PROPERTY LINE		N/W PROPERTY LINE	
	CURB INLET		TESTHOLE		S/E PROPERTY LINE		S/E PROPERTY LINE	
	CULVERT		LAMP STANDARD		N/W GUTTER		N/W GUTTER	
	PIPE ABANDONMENTS		TREE		S/E GUTTER		S/E GUTTER	
	SURVEY BAR							

**LOCATION APPROVED**  
UNDERGROUND STRUCTURES

SUPR. U/G STRUCTURES COMMITTEE DATE

NOTE: LOCATION OF UNDERGROUND STRUCTURES AS SHOWN ARE BASED ON THE BEST INFORMATION AVAILABLE. BUT NO GUARANTEE IS GIVEN THAT ALL EXISTING UTILITIES ARE SHOWN OR THAT THE GIVEN LOCATIONS ARE EXACT. CONFIRMATION OF EXISTENCE AND EXACT LOCATION OF ALL SERVICES MUST BE OBTAINED FROM THE INDIVIDUAL UTILITIES BEFORE PROCEEDING WITH CONSTRUCTION.

**AECOM**

DESIGNED BY: ADB  
CHECKED BY: [ ]

DRAWN BY: ADL  
APPROVED BY: [ ]

HOR. SCALE: AS NOTED  
VERT. SCALE: N/A

ISSUED FOR RECORD: 18/10/20  
NO. REVISIONS: [ ]

DATE: [ ]

**THE CITY OF WINNIPEG**  
WATER AND WASTE DEPARTMENT

PROVISION OF PIPELINE ACCESS MODIFICATIONS, CLEANING AND SUPPORT SERVICES FOR WATER MAIN RIVER CROSSING INSPECTIONS

SITE 3A  
NEWTON AVENUE FORCE MAIN

SHEET 2 OF 2  
CITY DRAWING NUMBER  
REV 0

D-14389



255

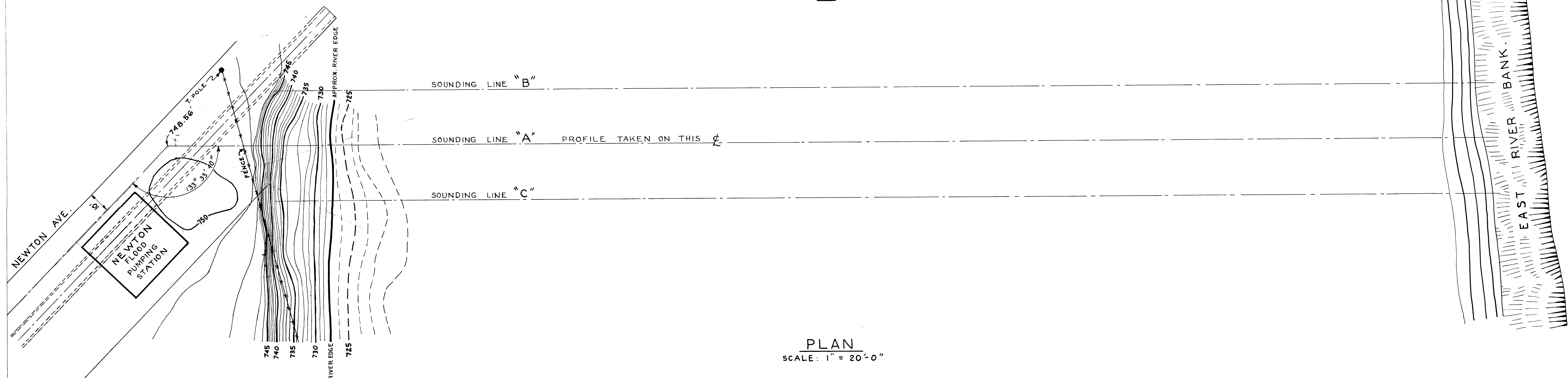
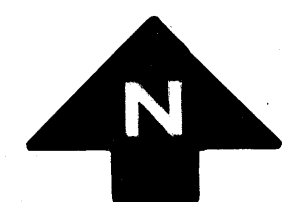
REF. or DRAWING No.

DETAILS

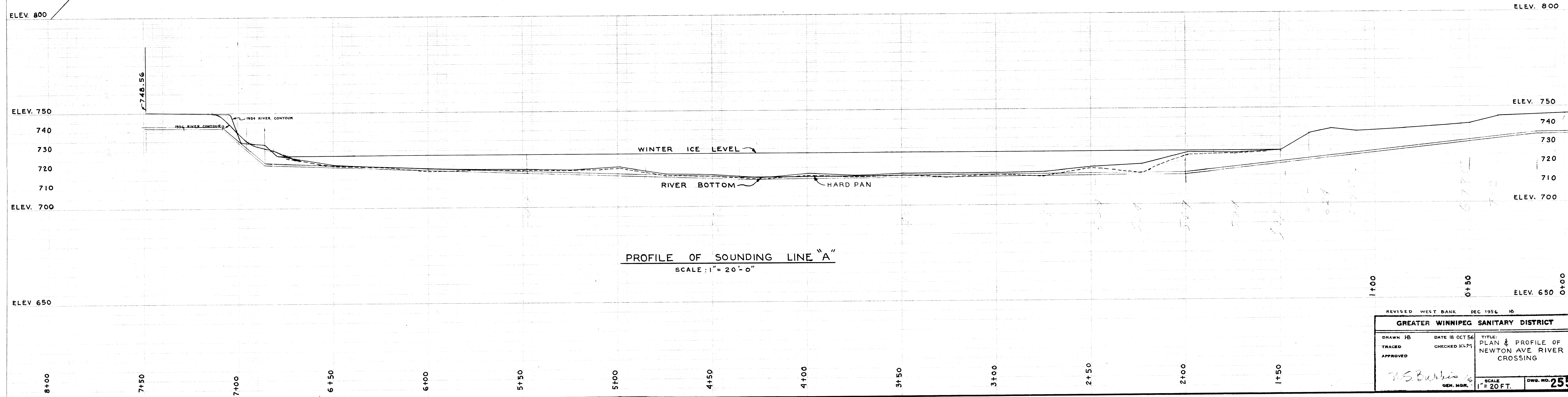
FM 10021

file #

255



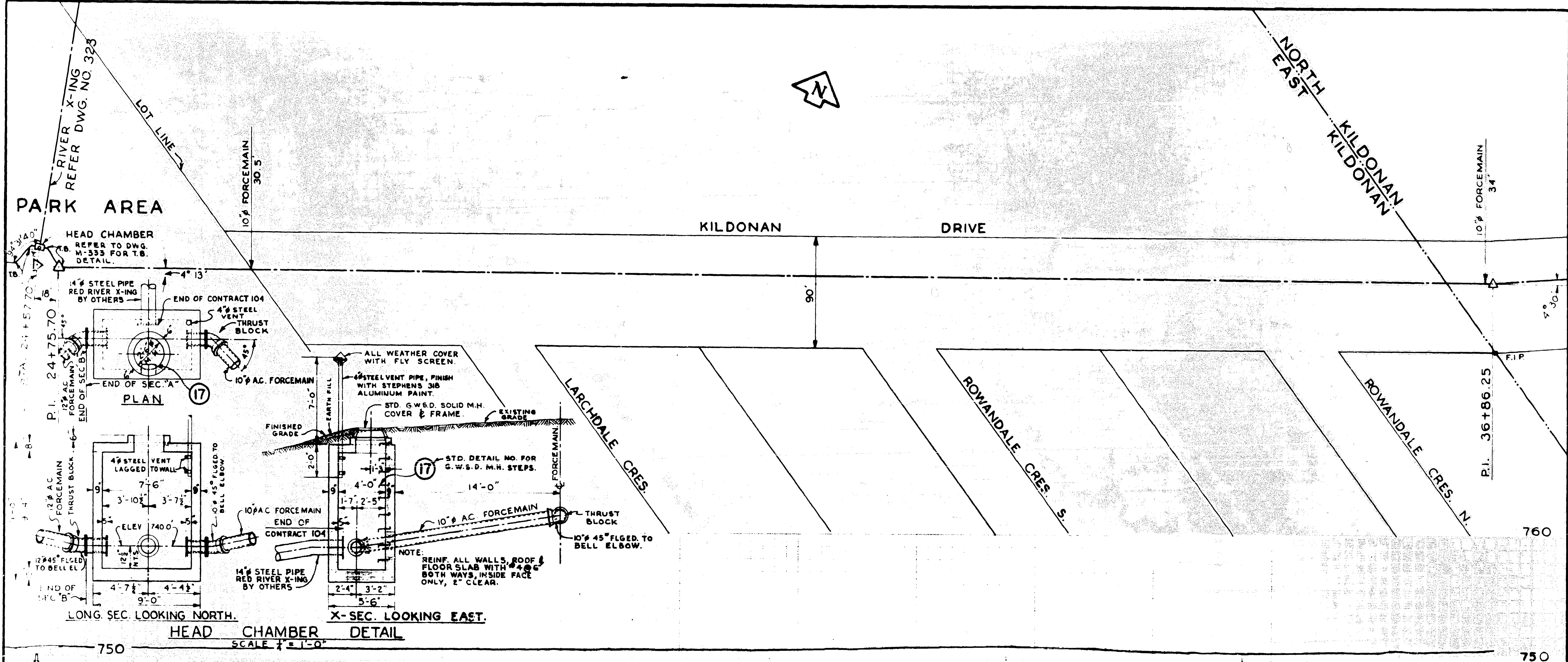
PLAN  
SCALE: 1" = 20'-0"



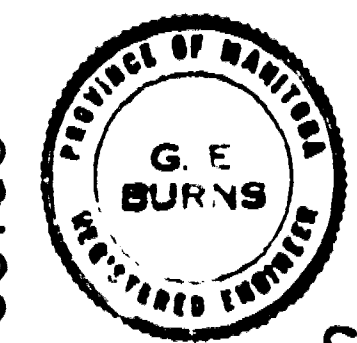
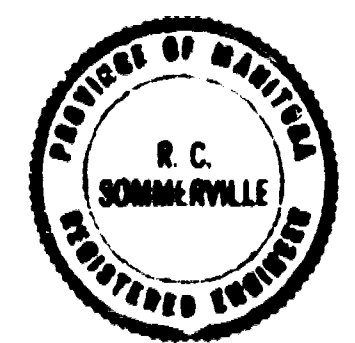
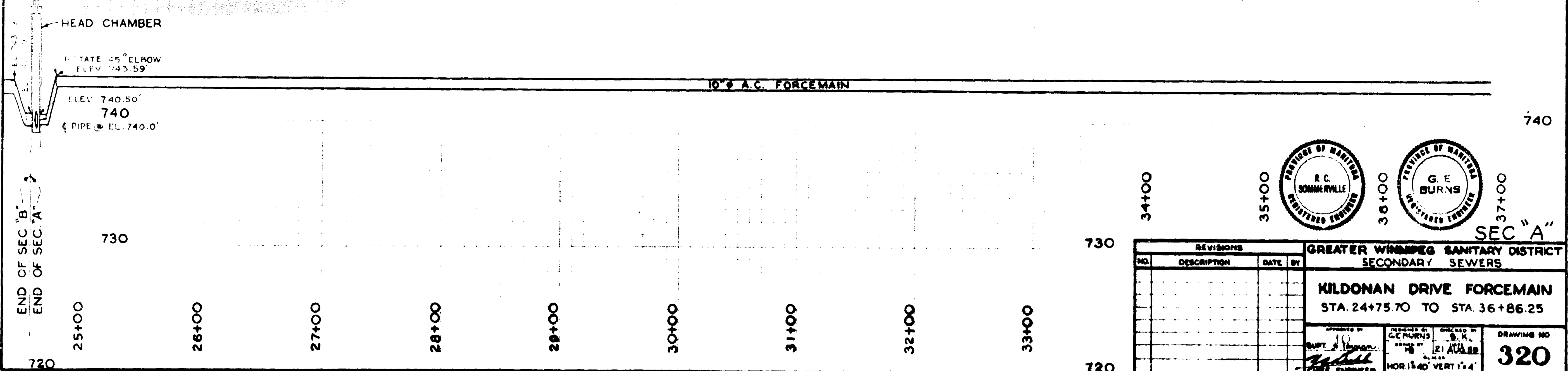
PROFILE OF SOUNDING LINE "A"  
SCALE: 1" = 20'-0"

REVISED WEST BANK DEC 1956 10		
GREATER WINNIPEG SANITARY DISTRICT		
DRAWN JB	DATE 18 OCT 56	TITLE: PLAN & PROFILE OF
TRACED	CHECKED KLM	NEWTON AVE RIVER
APPROVED		CROSSING
W.S. Burbis		SCALE: 1" = 20 FT.
GEN. MGR.		DWG. NO. 255





HEAD CHAMBER DETAIL  
SCALE 1/4" = 1'-0"



REVISIONS				GREATER WINNIPEG SANITARY DISTRICT SECONDARY SEWERS	
NO.	DESCRIPTION	DATE	BY		

KILDONAN DRIVE FORCEMAIN  
 STA. 24+75.70 TO STA. 36+86.25  
 DRAWING NO. **320**



R. M. OF  
WEST KILDONAN

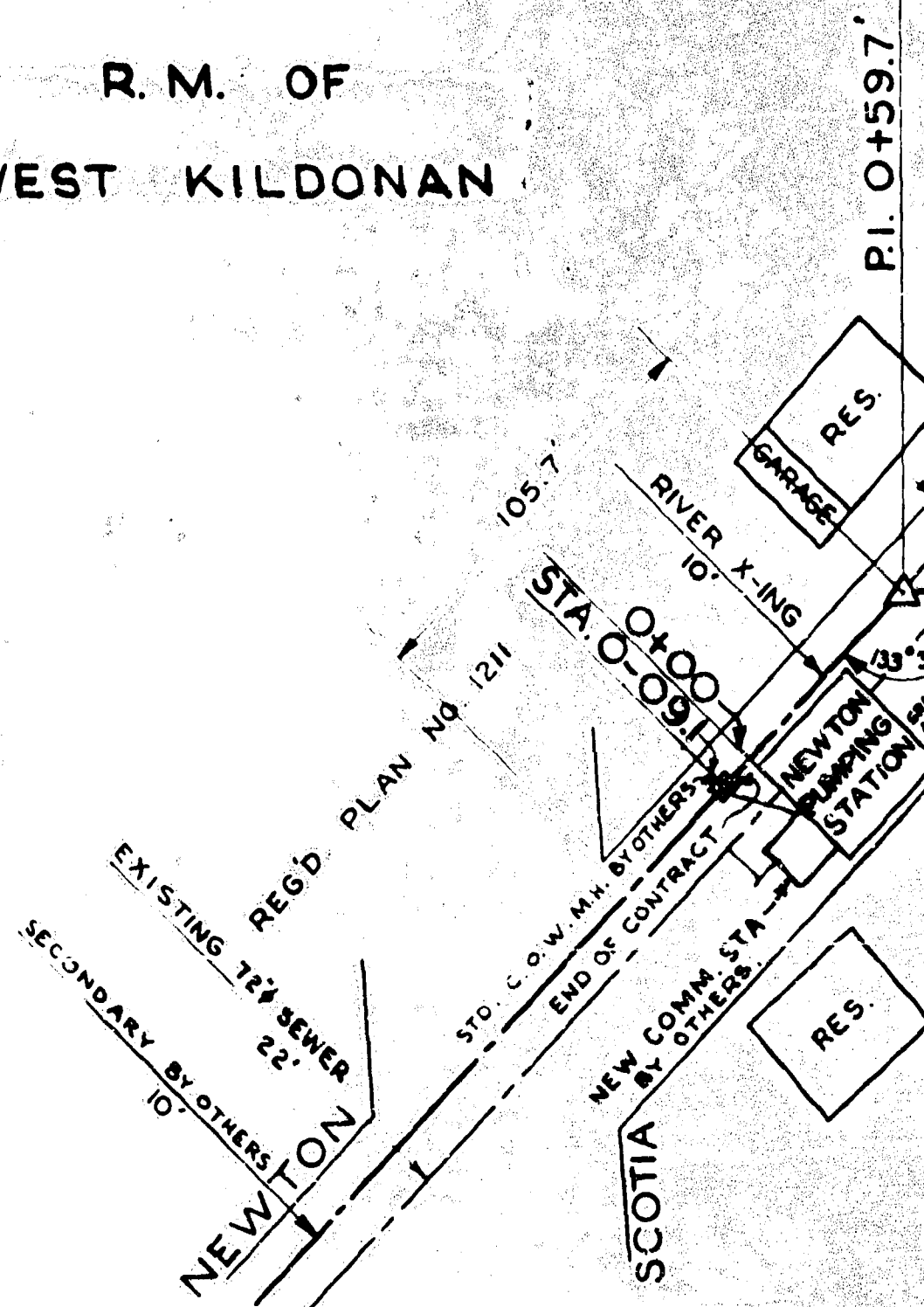
WEST R. OF  
KILDONAN DRIVE

LOT 68  
PARISH OF KILDONAN

REG'D. PLAN No. 6504  
HEAD CHAMBER

LOT 69  
PARISH OF KILDONAN  
BLOCK 9  
PARK  
AREA

CITY OF  
EAST KILDONAN



PROP. 14" STEEL PIPE - 970.2'

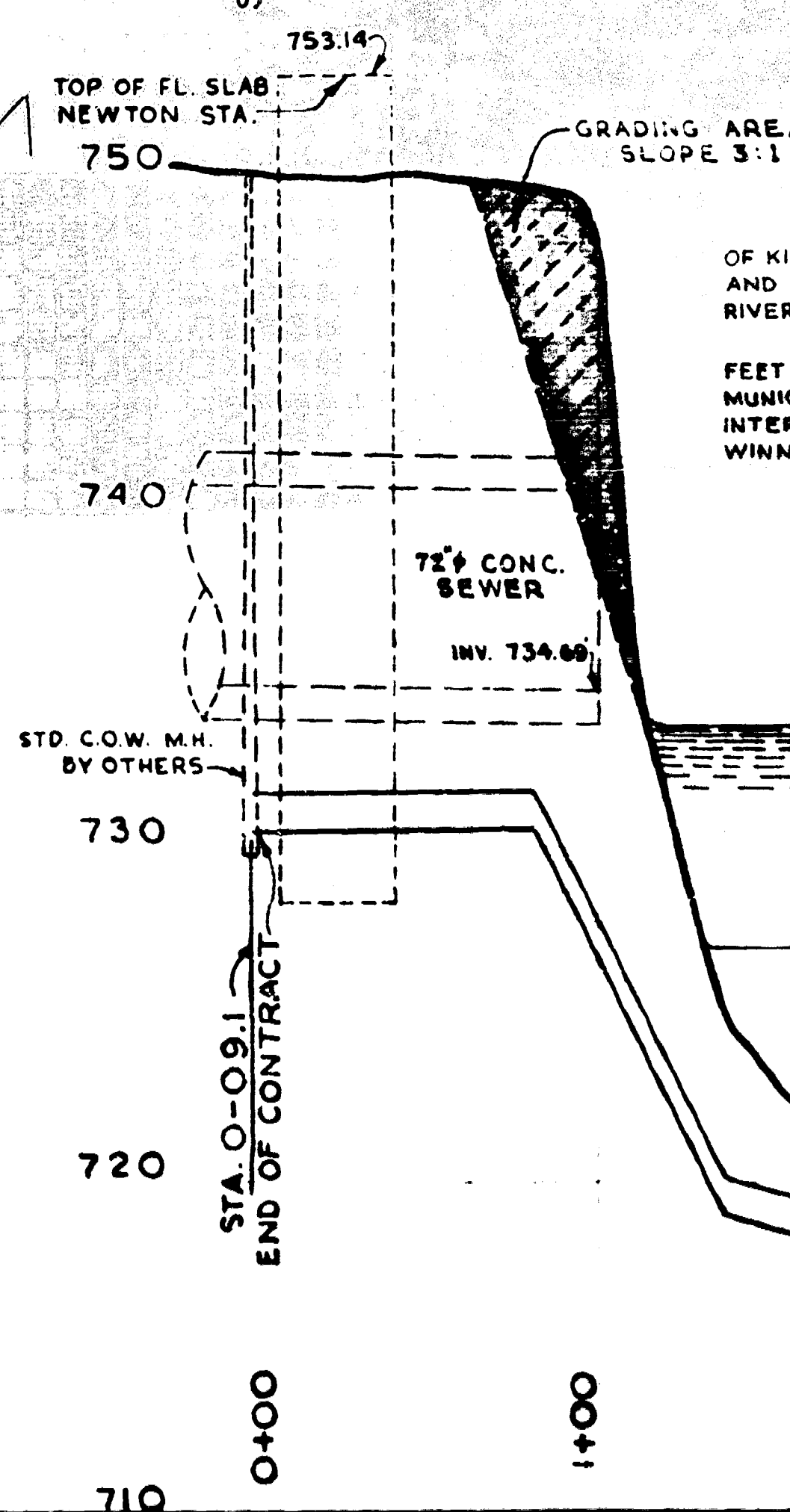
RED RIVER

Deposited in the Winnipeg Land Titles Office - this 19<sup>th</sup> day of October A.D. 1959 at 9:05 A.M. at Railway Office as Railway Deposit No. 783  
Sgt. E.A. O'Brien  
Deputy Registrar

I hereby certify that this plan is a true and correct copy of the plan as shown in the original and which is deposited in the Winnipeg Land Titles Office as Railway Deposit No. 783.  
Given under my hand and seal of Office this 19<sup>th</sup> day of October A.D. 1959  
G. E. Burns  
Deputy Registrar

**DESCRIPTION**

COMMENCING AT A POINT TWENTY-NINE (29) FEET PERPENDICULARLY DISTANT EASTERLY FROM THE PRODUCTION SOUTHERLY OF THE WEST LIMIT OF KILDONAN DRIVE, IN THE CITY OF EAST KILDONAN, MANITOBA, MEASURED SOUTHERLY ON THE SAID WESTERN LIMIT A DISTANCE OF ONE HUNDRED AND FIFTY-SEVEN AND FIVE TENTHS (157.5) FEET FROM THE INTERSECTION OF THE WEST LIMIT OF KILDONAN DRIVE WITH THE SOUTH LIMIT OF RIVER LOT 68 OF THE PARISH OF KILDONAN AS SHOWN ON A PLAN REGISTERED IN THE WINNIPEG LAND TITLES OFFICE AS NO. 6504.  
THENCE NORTH WESTERLY, IN A STRAIGHT LINE, ACROSS THE RED RIVER, A DISTANCE OF NINE HUNDRED AND SIXTEEN AND THREE TENTHS (916.3) FEET MORE OR LESS TO A POINT TEN (10) FEET PERPENDICULARLY DISTANT SOUTHERLY FROM THE NORTH LIMIT OF NEWTON AVENUE IN THE RURAL MUNICIPALITY OF WEST KILDONAN, MANITOBA, AND DISTANT EASTERLY ONE HUNDRED AND FIVE AND SEVEN TENTHS (105.7) FEET FROM THE INTERSECTION OF THE EAST LIMIT OF SCOTIA STREET AND THE NORTH LIMIT OF NEWTON AVENUE AS SHOWN ON A PLAN REGISTERED IN THE WINNIPEG LAND TITLES OFFICE AS NO. 1211, BEING A SUBDIVISION OF PART OF RIVER LOT 16 OF THE PARISH OF KILDONAN.

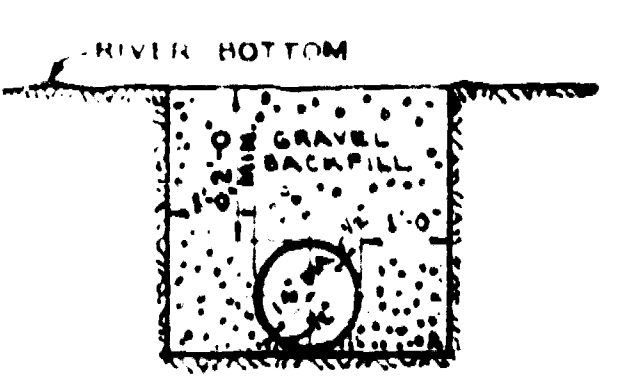


SUMMER WATER ELEV. 733.61' 12 AUG. 59

WINTER ICE ELEV. 727.0' 22 JAN. 60

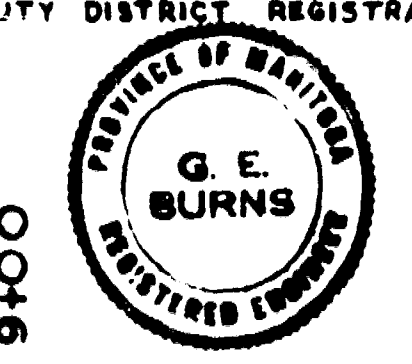
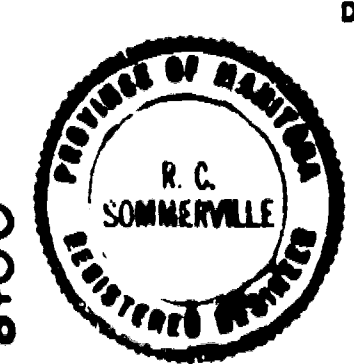
RIVER BOTTOM SOUNDINGS  
TAKEN 25 JANUARY 1960.

RIVER SILT



CROSS-SECTION OF  
14" DIA. PIPE  
SCALE - 1/2" = 1'-0"

I CERTIFY THAT A DUPLICATE COPY OF THIS PLAN WAS DEPOSITED IN THE REGISTRY OFFICE FOR THE DISTRICT OF WINNIPEG, PROVINCE OF MANITOBA ON DAY OF 1959, UNDER THE PROVISION OF THE NAVIGABLE WATERS PROTECTION ACT.



REVISIONS				GREATER WINNIPEG SANITARY DISTRICT SECONDARY SEWERS	
NO.	DESCRIPTION	DATE	BY		
1	WEST RIVER BANK REVISED	6 NOV 59	HS	<b>RED RIVER CROSSING</b> <b>FROM NEWTON AVE. SECONDARY</b> <b>TO KILDONAN DRIVE FORCEMAIN</b> APPROVED BY: Supt. J. Norman CHECKED BY: G.E. Burns DRAWING NO. 323 SCALE: HOR. 1" = 40' VERT. 1" = 4'	
2	GRADING AREA REVISED	6 NOV 59	HS		
3	14" DIAMETER LINE FROM EAST SIDE BRANCH TO EAST WALL	20 JAN 60	HS		
4	PROFILE OF RIVER BOTTOM REVISED	26 JAN 60	HS		
5	DEPTH OF 14" STEEL PIPE AT BOTTOM OF RIVER CHANGED FROM 11.5' TO 12.0'	26 JAN 60	HS		
6	WINTER ICE LEVEL 727.0' MARKED	26 JAN 60	HS		

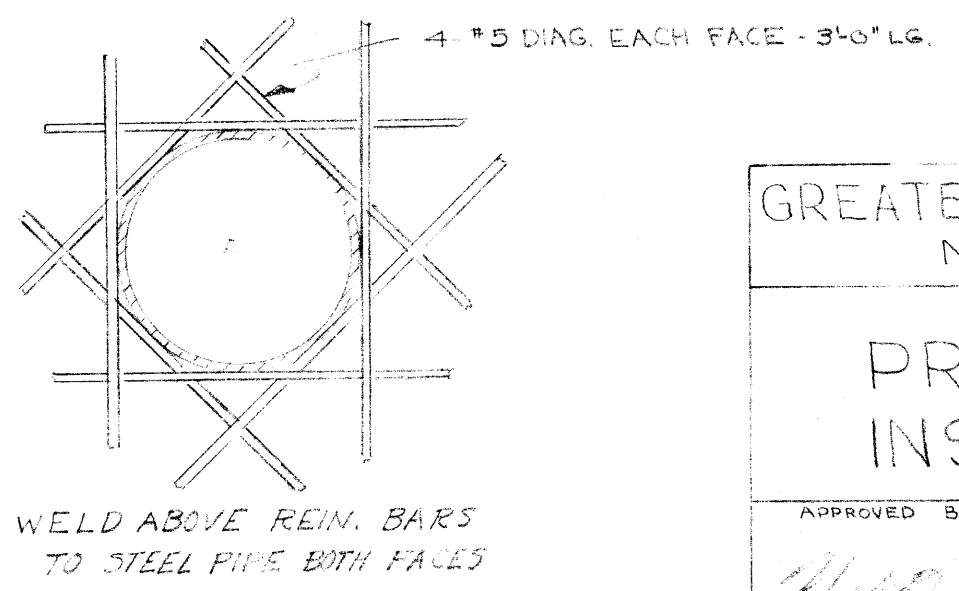
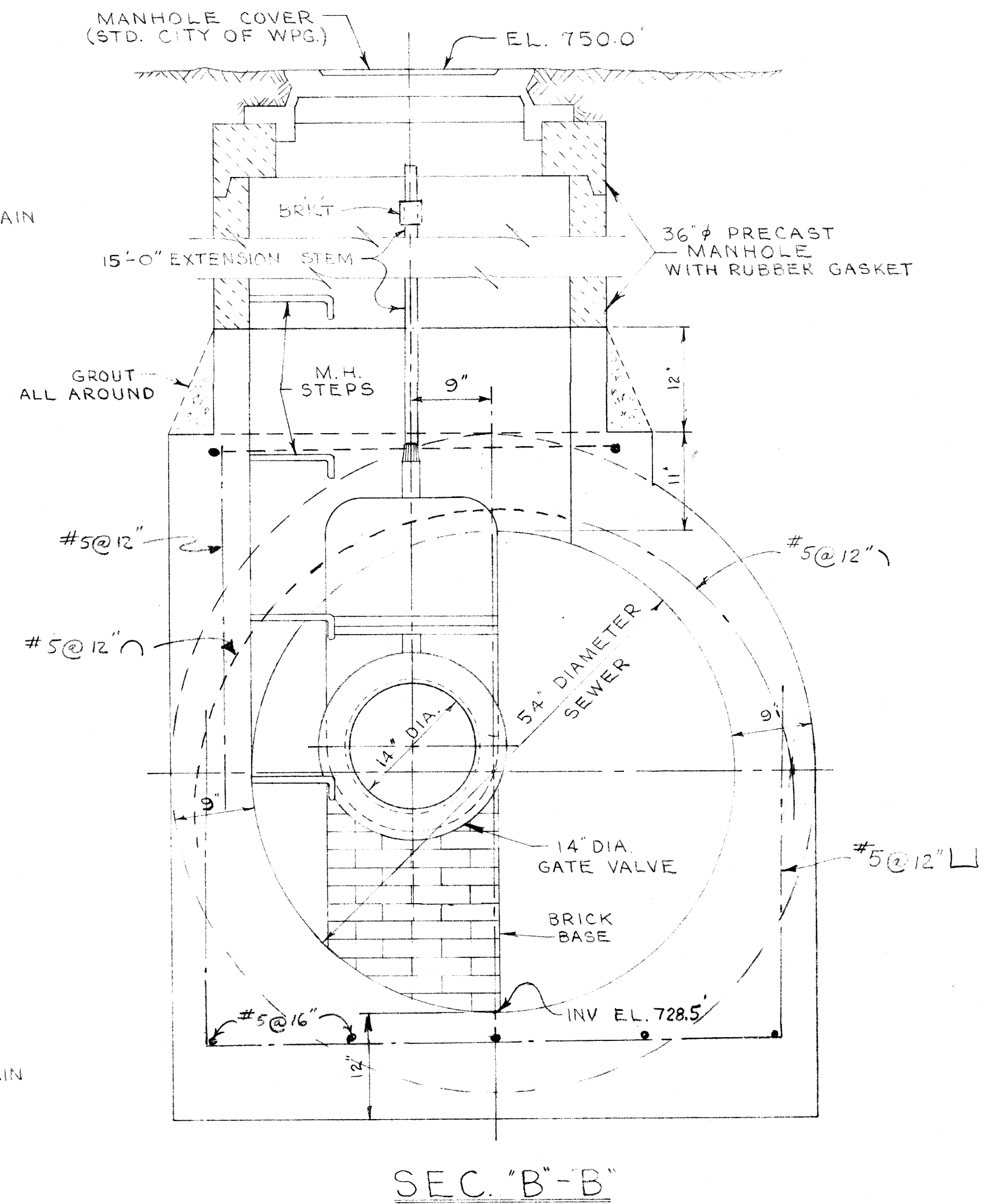
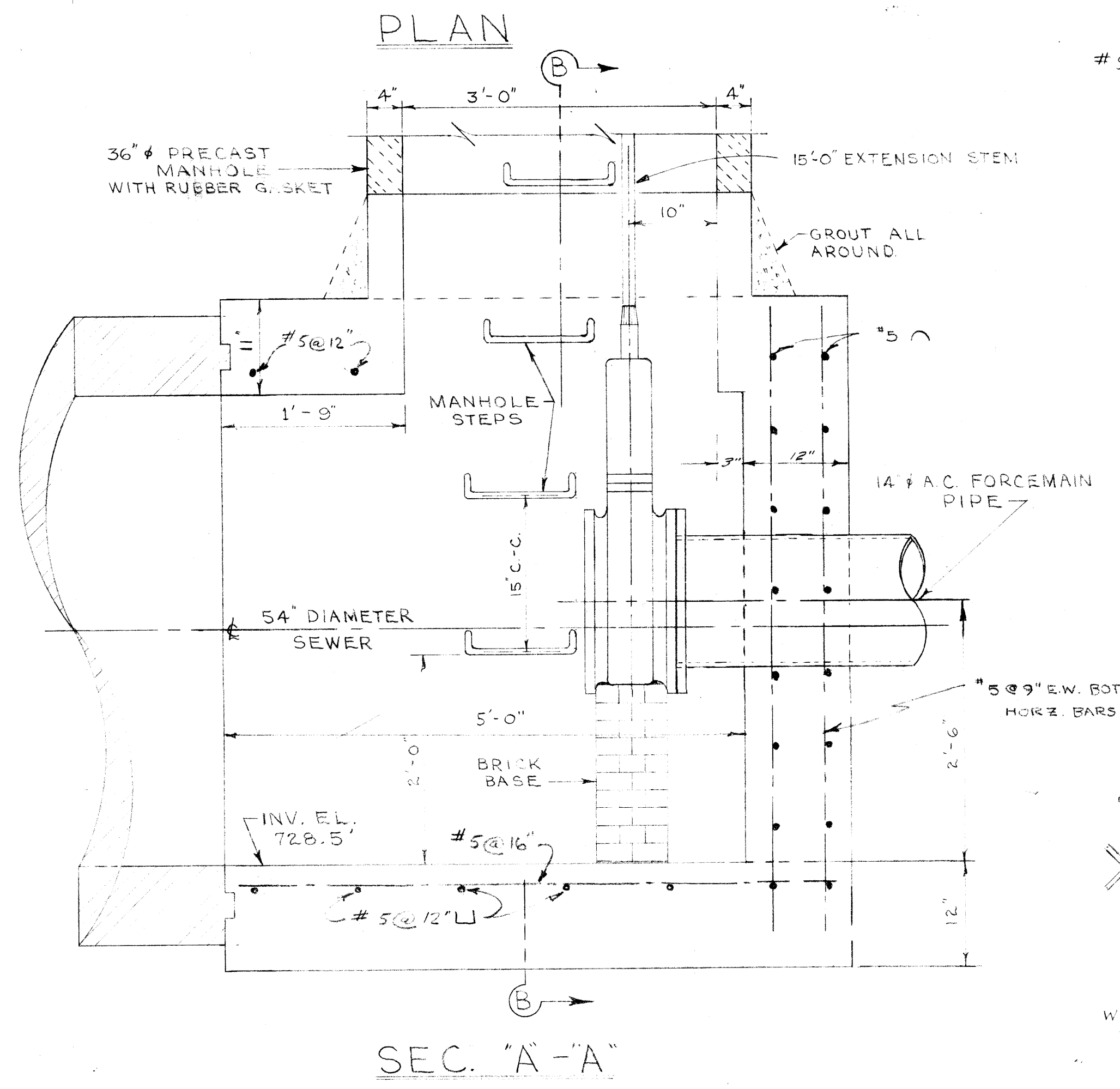
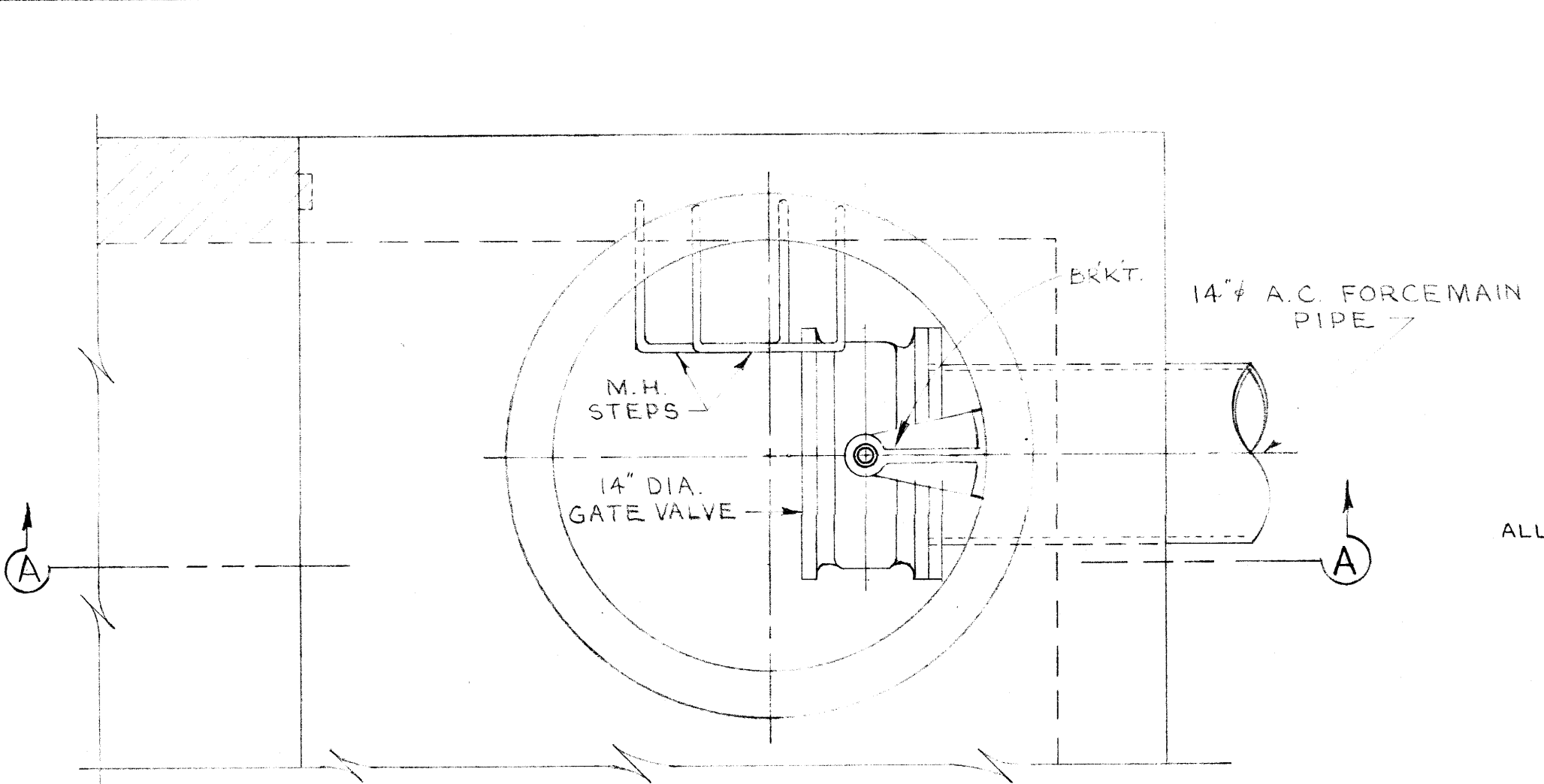


File # 2210076

328

REF. OF DRAWING NO.

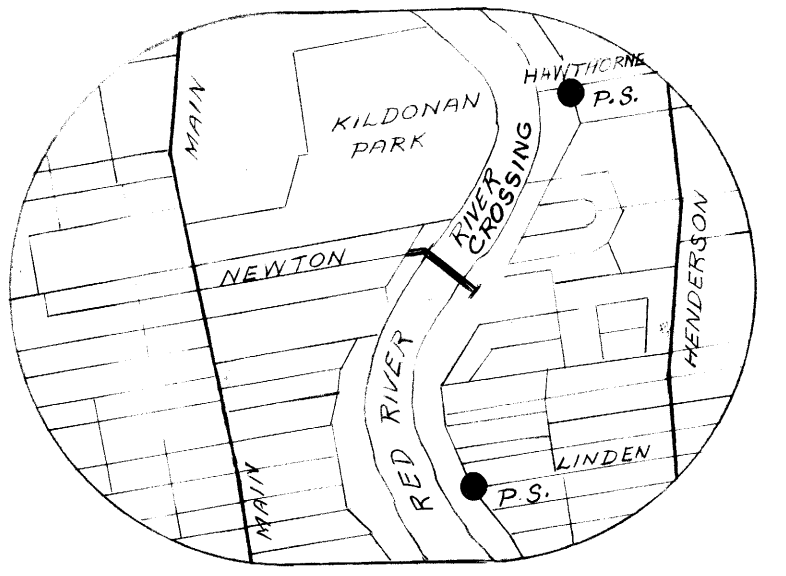
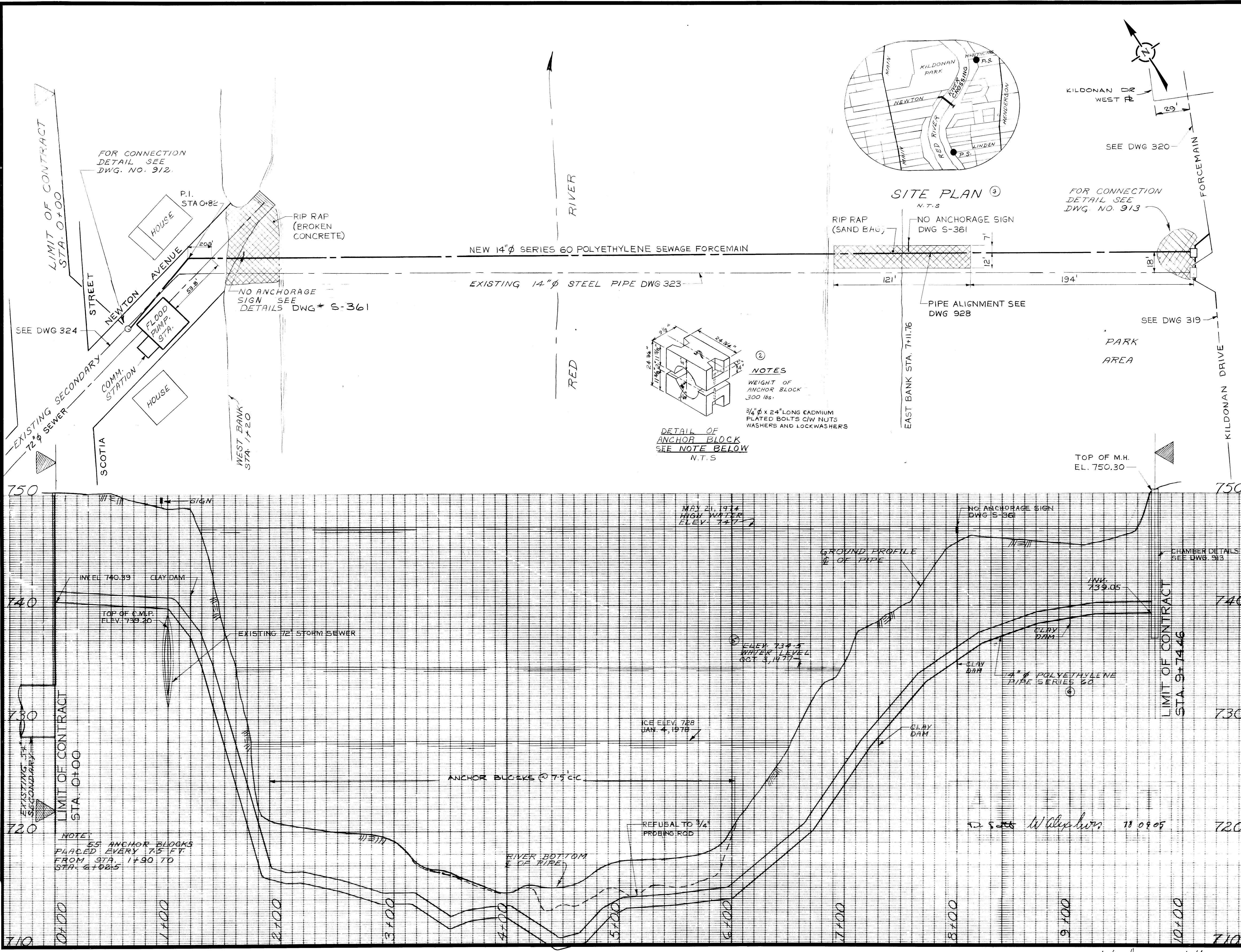
DETAILS



Micro-Filmed 1965

GREATER WINNIPEG SANITARY DISTRICT NEWTON AVE. SECONDARY			
TITLE			
PROPOSED VALVE INSTALLATION - SCHEME #1			
APPROVED BY	DESIGNED BY	CHECKED BY	DRAWING NO.
<i>[Signature]</i>	S.K.	H.B.	328
CHIEF ENGINEER	DATE 11 FEB. 60	SCALE 1" INCH = 1'-0" FT.	





**LEGEND**

**WATERWORKS, WASTE AND DISPOSAL; UNDERGROUND UTILITIES**

PROPOSED FORCEMAIN, INTERCEPTOR OR SECONDARY SEWER ————

EXISTING FORCEMAIN, INTERCEPTOR OR SECONDARY SEWER ———— W.W.D. 24" SEWER

PROPOSED FEEDERMAIN ————

EXISTING FEEDERMAIN ———— W.W.D. 24" W.M.

W.W.D. — WATERWORKS, WASTE AND DISPOSAL

**OTHER UNDERGROUND UTILITIES**

COMMUNITY SEWER ————

COMMUNITY WATERMAIN ————

GAS ————

HYDRO DUCT ————

M.T.S. DUCT OR CABLE ————

STREET LIGHTING, RAILWAY SIGNAL OR TRAFFIC SIGNAL CABLE ————

**SURFACE UTILITIES**

COMMUNITY BOUNDARY LINE ————

FENCE LINE — X — X —

POLE LINE — ○ ○ ○ ○ —

RAILWAY LINE ————

**MISCELLANEOUS SYMBOLS**

CATCH BASIN — ○

CULVERT — ————

HYDRANT — ————

MANHOLE — ○

HYDRO OR M.T.S. POLE — ————

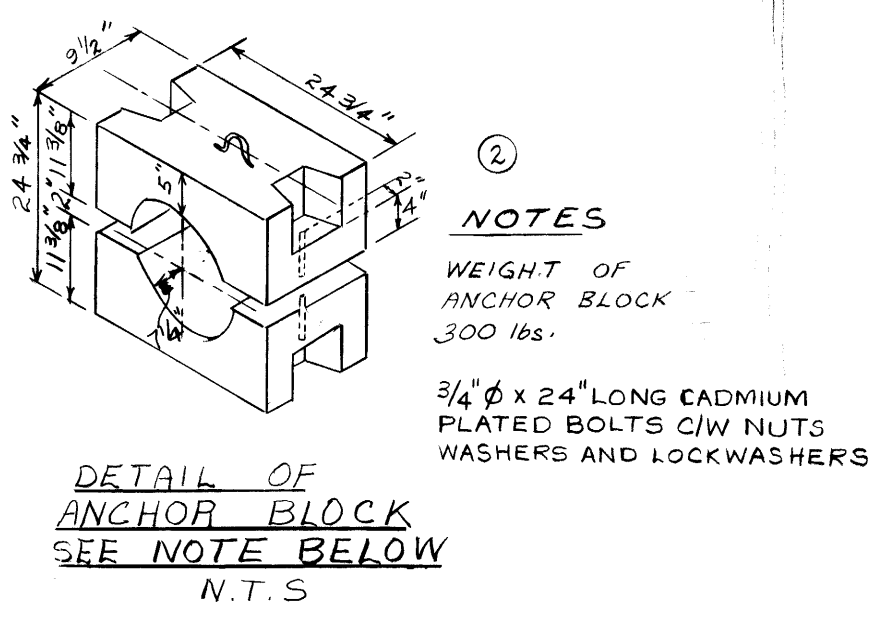
LAMP STANDARD — ————

RAILWAY OR TRAFFIC SIGNAL STANDARD — ————

SURVEY BAR — ————

TREE — ————

VALVE — ————



**NOTES**

- RIVER CROSSING X-SECTION REMOVED
- ANCHOR BLOCK DIM. CHANGED, NOTE ADDED
- SITE PLAN REVISED
- NOTE - PIPE ALIGNMENT
- SUMMER WATER LEVEL ADDED
- SERIES 80 CHANGED TO 60
- REVISED TO AS BUILT

NO.	DESCRIPTION	DATE	BY
1	RIVER CROSSING X-SECTION REMOVED	OCT 5 77	VD
2	ANCHOR BLOCK DIM. CHANGED, NOTE ADDED	OCT 6 77	VD
3	SITE PLAN REVISED	OCT 6 77	VD
4	NOTE - PIPE ALIGNMENT	OCT 6 77	VD
5	SUMMER WATER LEVEL ADDED	OCT 6 77	VD
6	SERIES 80 CHANGED TO 60	OCT 6 77	VD
7	REVISED TO AS BUILT	AUG 18 78	VD

**REVISIONS**

FIELD BOOK(S) NO. F 972	SURVEYED BY R. THAPLIN
LAND SURVEY PLAN(S) NO.	DATE Nov. 1, 1976
B. M. GEO. B. N. 12-005	

**The City of Winnipeg**  
Waterworks, Waste and Disposal Division

ENGINEERING BRANCH  
WASTE DISPOSAL

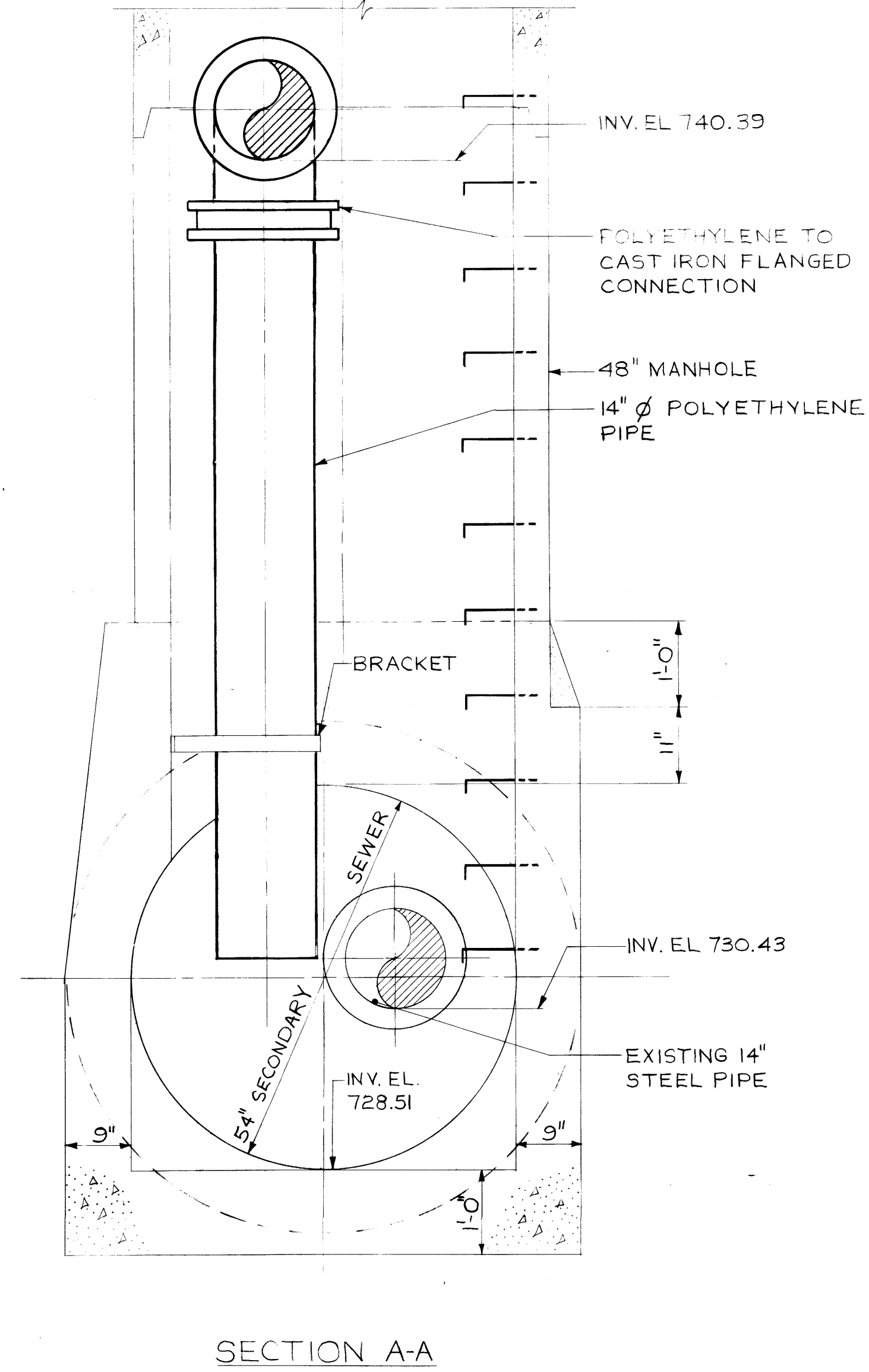
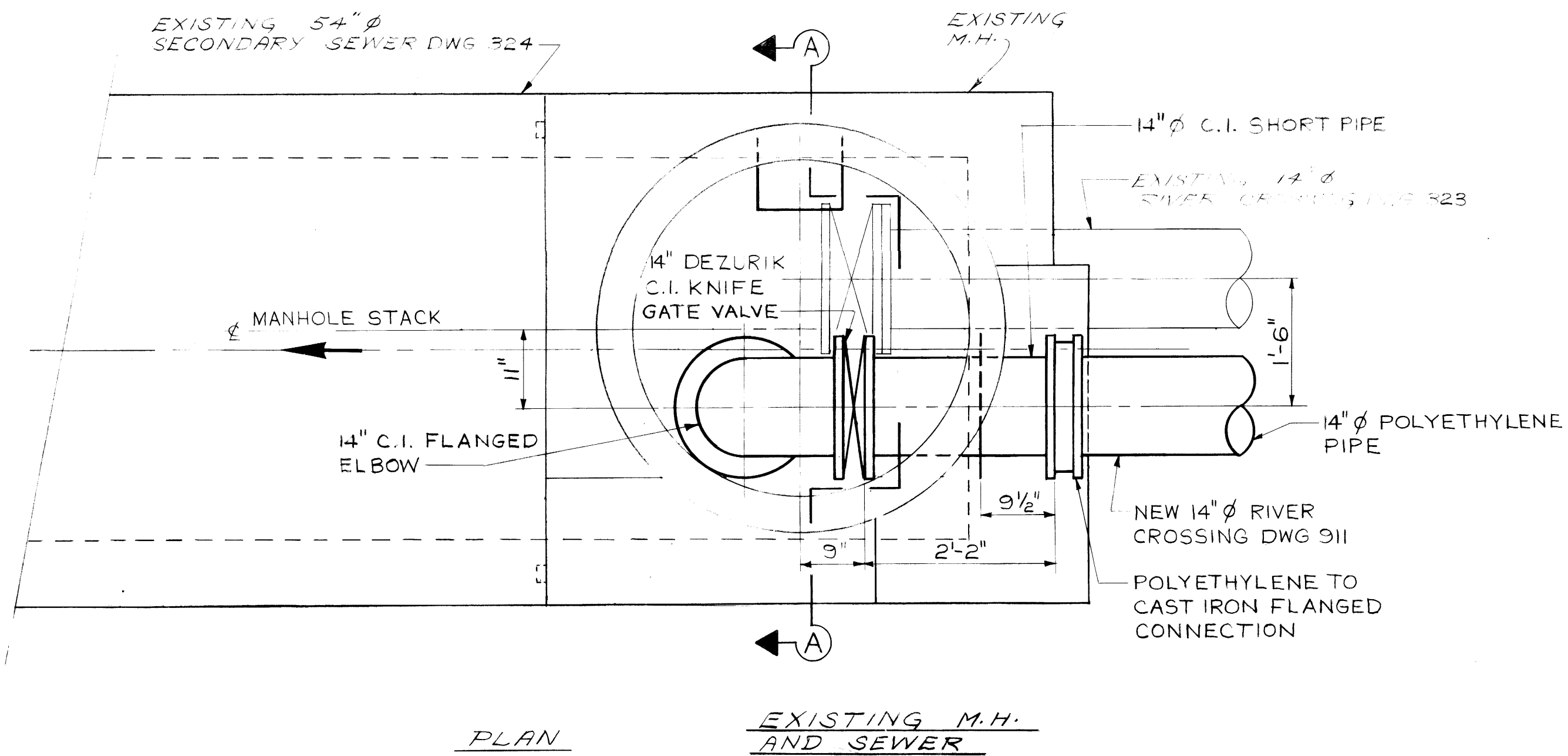
**NEWTON RIVER X-ING**  
PLAN PROFILE

DESIGNED BY B. BRICK	DRAWN BY V. DUMORE
CHECKED BY [Signature]	DATE JUNE 1977
APPROVED BY [Signature]	
SCALE HOR. 1" = 40' VERT. 1" = 4'	DRAWING NO. 911

file # MS 10641

MICROFILMED, MAY 11 1985





D. Scott *W. D. Scott* 18 OF 11

NO.	DESCRIPTION	DATE	BY
4	REVISED TO AS BUILT	AUG 24/78	BB
3	1/8" - RUBBER GASKET	OCT 4/77	BB
2	FILLER PLATE DIMENSION CHANGE	OCT 4/77	BB
1	SERIES 80 CHANGED TO 60	OCT 4/77	BB

REVISIONS

**The City of Winnipeg**

Waterworks, Waste and Disposal Division

ENGINEERING BRANCH  
WASTE DISPOSAL

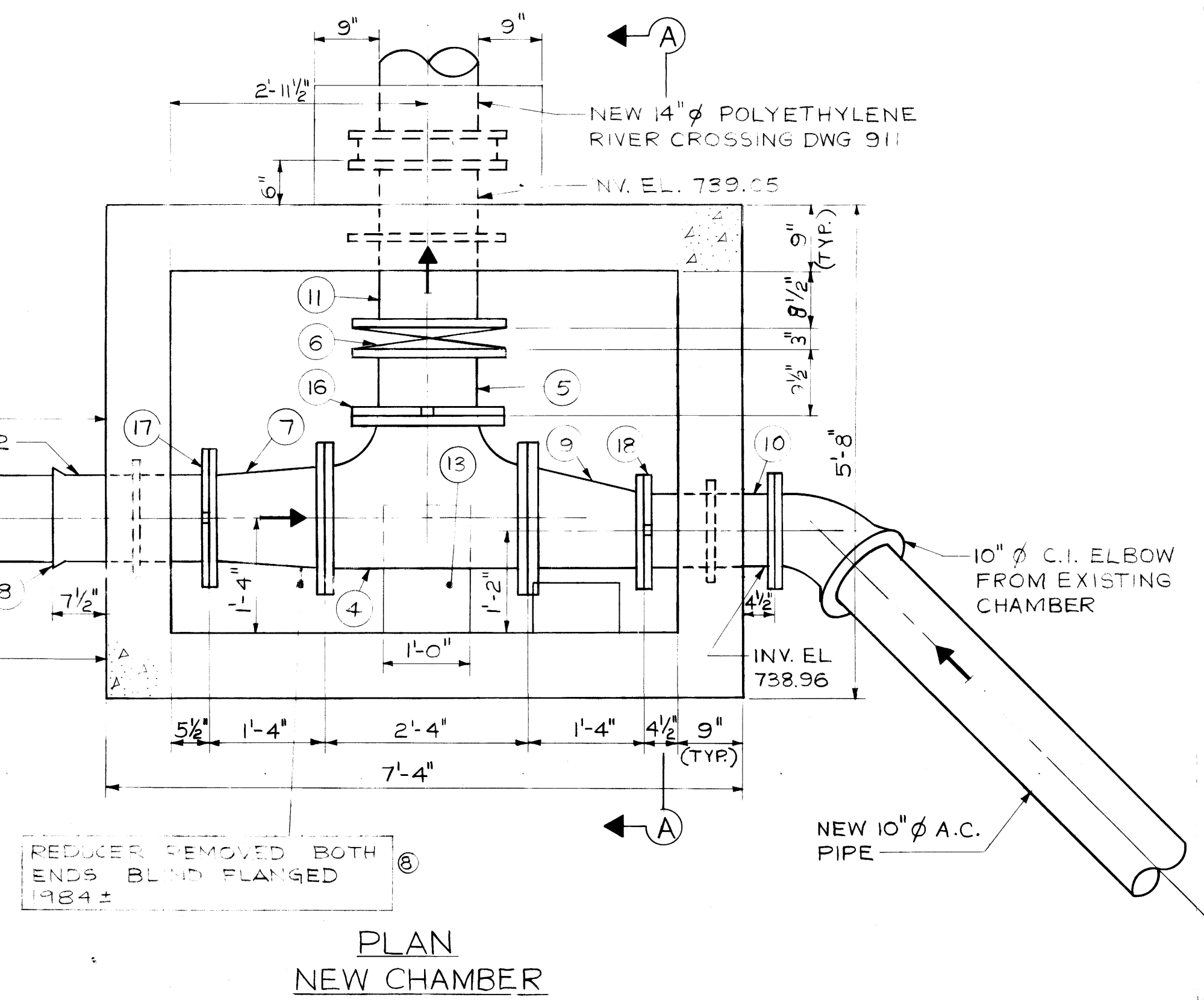
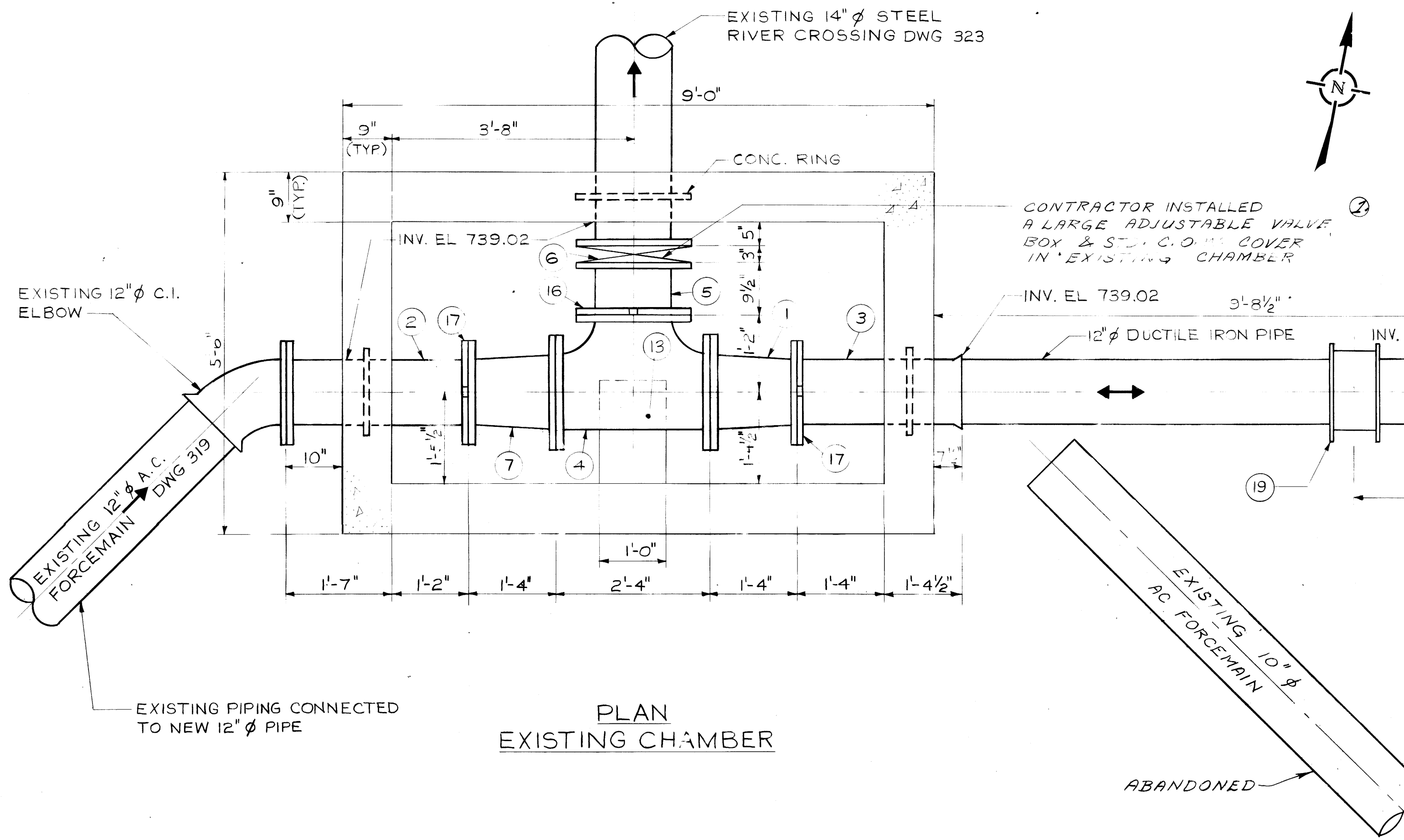
NEWTON RIVER X-ING  
NEWTON AVE. & SCOTIA ST.  
CONNECTION DETAILS  
TO 54"  $\phi$  SECONDARY

DESIGNED BY B BRICK	DRAWN BY V.D.
CHECKED BY <i>Tom Wiercha</i>	DATE JUNE 1977
APPROVED BY <i>Alvin L. B.</i>	
SCALE 3/4" = 1'-0"	DRAWING NO. 912

file # MS10642



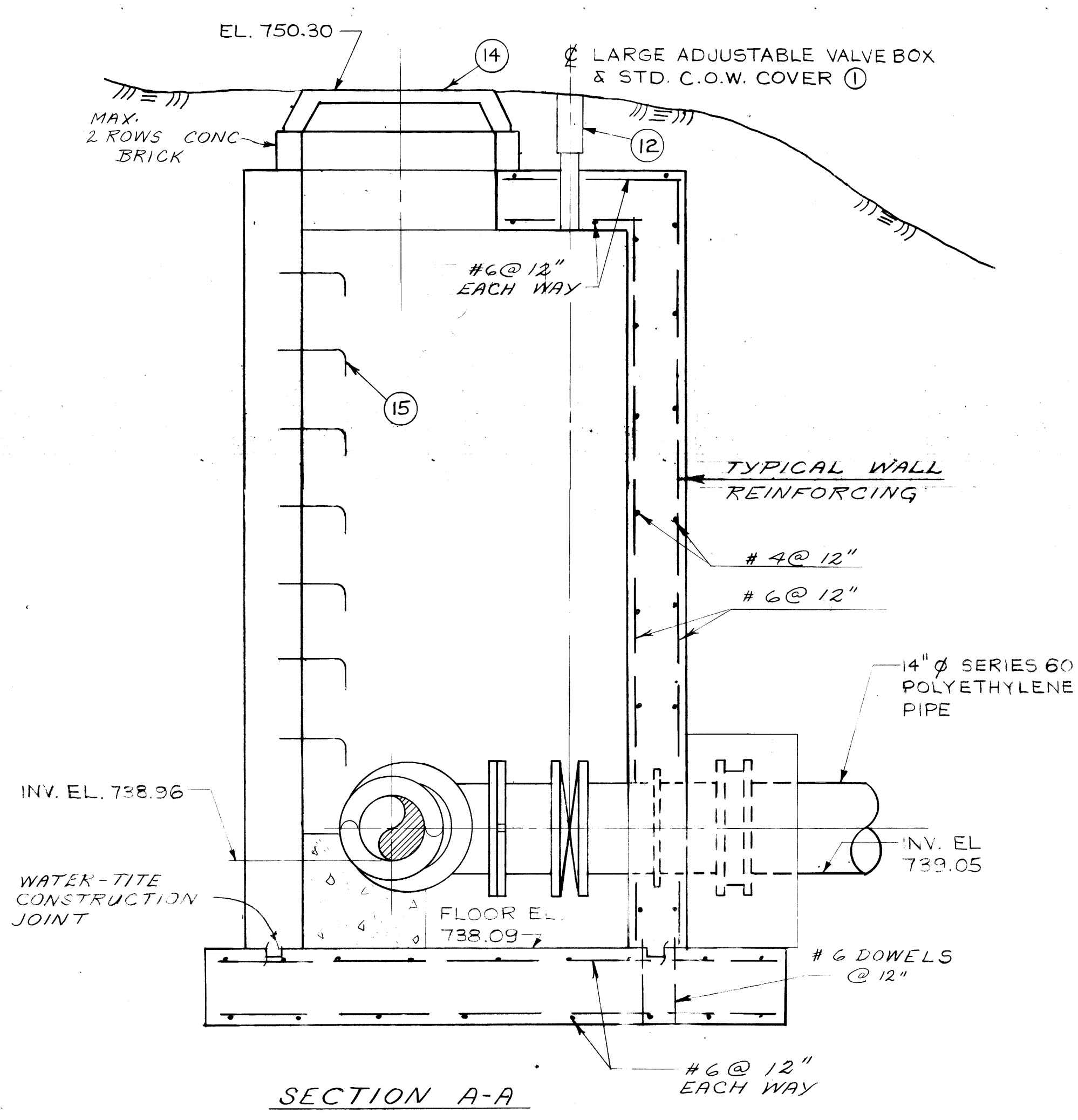
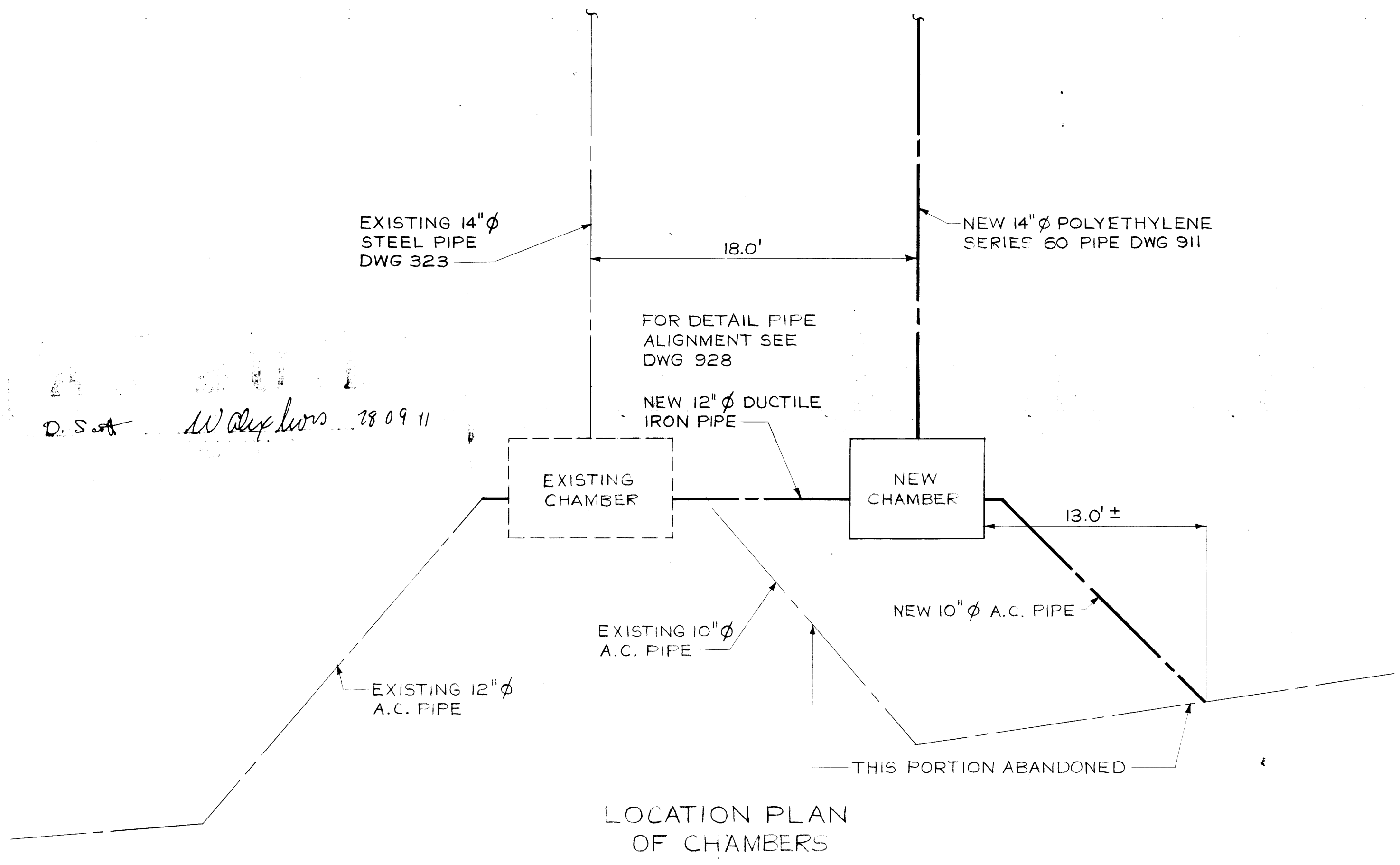
913



LIST OF MATERIAL

Item	Description	Length	Quantity
1	14"x12" Eccentric reducer flg. to vict.	1'-4"	1
2	12" $\phi$ wall piece c/w conc. ring flg to vict.	2'-9"	1
3	12" $\phi$ wall piece c/w conc. ring bell to vict.	2'-6"	1
4	14"x14"x14" Tee vict to vict to vict	2'-4"	2
5	14" Short pipe vict to flg.	0'-9 1/2"	2
6	14" Dezurik knife gate valve	0'-3"	2
7	14"x12" Concentric reducer flg. to vict.	1'-4"	2
8	12" $\phi$ Wall piece c/w conc. ring bell to vict.	1'-6"	1
9	14"x10" Eccentric reducer flg. to vict.	1'-4"	1
10	10" $\phi$ Wall piece c/w conc. ring flg. to vict.	1'-6"	1
11	14" $\phi$ Wall piece c/w conc. ring flg. to flg.	1'-11"	1
12	Valve box	-	2
13	Poured in place concrete saddle	-	2
14	Standard City of Wpg M.H. frame and cover	-	1
15	Standard City of Wpg M.H. steps	-	-
16	14" Adapter flange vict style 341	-	2
17	12" Adapter flange vict style 341	-	3
18	10" Adapter flange vict style 341	-	1
19	12" Robor coupling Style BT-8T	-	1

NOTE:  
1. ALL PIPE AND FITTINGS IN EXISTING AND NEW CHAMBERS ARE CAST IRON.



REVISIONS

NO.	DESCRIPTION	DATE	BY
⑧	ADDED NOTE	JAN 92	EN
⑦	REVISED TO AS BUILT	AUG 18 78	BT
⑥	NOTE ADDED - VICT. ADAPTER FLG	OCT 77	V.D.
⑤	DIMENSIONS CHANGED PROPOSED PIT	OCT 77	V.D.
④	SERIES 80 CHANGED TO 60	OCT 67	BB
③	ITEMS 9, 11, 12, CHANGED	OCT 67	VD
②	STYLE 77 CHANGED TO STYLE 31	OCT 67	VD
①	LARGE ADJ. VALVE BOXES ADDED	OCT 32	VD

The City of Winnipeg  
Waterworks, Waste and Disposal Division

ENGINEERING BRANCH  
WASTE DISPOSAL

NEWTON RIVER X-ING  
VALVE CHAMBER  
DETAILS

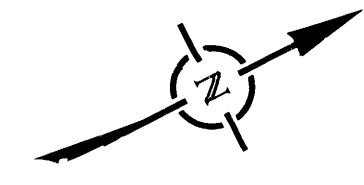
DESIGNED BY B. BRICK	DRAWN BY V. DUMORE
CHECKED BY <i>Dumore</i>	DATE JUNE 1977
APPROVED BY <i>Al. G. Penner</i>	
SCALE 3/4" = 1'-0" OR AS NOTED	DRAWING NO. 913

file # IN10473

City of Winnipeg  
W005453



928



D. S. *Walsh* 78 09 05

NO.	DESCRIPTION	DATE	BY
1	REVISED TO AS BUILT	AUG 1978	<i>[Signature]</i>

REVISIONS

**The City of Winnipeg**  
Waterworks, Waste and Disposal Division

ENGINEERING BRANCH  
WASTE DISPOSAL

NEWTON RIVER X-ING  
PIPE ALIGNMENT  
FRASER'S GROVE PARK

DESIGNED BY <i>B. BRICK</i>	DRAWN BY <i>V. DUMORE</i>
CHECKED BY <i>D. WUCHAR</i>	DATE OCT 3, 1977
APPROVED BY <i>[Signature]</i>	
SCALE 1" = 40'	DRAWING NO. <b>928</b>

file # SS 10136

City of Winnipeg  
W005468





4-15M BARS  
AT 100 O.C.  
4.8 m LONG

SHORING TYP.  
BOTH SIDES

CUT REQD IN SPCSP  
± 2.0m

EXIST. 355 Ø  
SEWAGE  
FORCEMAIN

± 5m LONG 600 Ø  
12 Ga. SPLIT CMP.  
SEE DETAIL 2,  
CUT ENDS TO FIT

0.5m WIDE CONC.  
BEAM UP TO TOP  
OF 600 Ø CMP,  
TYP. BOTH SIDES

4-15M BARS AT  
100 O.C.  
4.8 m LONG

ANCHOR BOLTS,  
8 REQ'D. DETAIL  
AS PER R-88-A-2

1983 Ø SPCSP

**PLAN**  
1:40

SAND BEDDING  
ABOVE PIPE

SHORING TYP.  
BOTH SIDES

REINF. SEE  
ABOVE

20 MPa CONCRETE  
TO TOP OF 600 Ø  
CMP

LIMESTONE  
UNDERDRAIN  
MATERIAL

ANCHOR BOLTS  
SEE ABOVE

± 5m LONG 600 Ø  
12 Ga. SPLIT CMP.  
SEE DETAIL 2,  
CUT ENDS TO FIT

EXIST. 355 Ø  
SEWAGE  
FORCEMAIN

1983 Ø SPCSP

**SECTION**  
1:40

**RECORD DRAWING**

16/9/88  
DATE

APPROVED BY:  
*[Signature]*

**DILLON**  
Consulting Engineers • Planners  
Environmental Scientists

TITLE  
**FORCEMAIN CROSSING**

PROJECT NO.  
1725-02

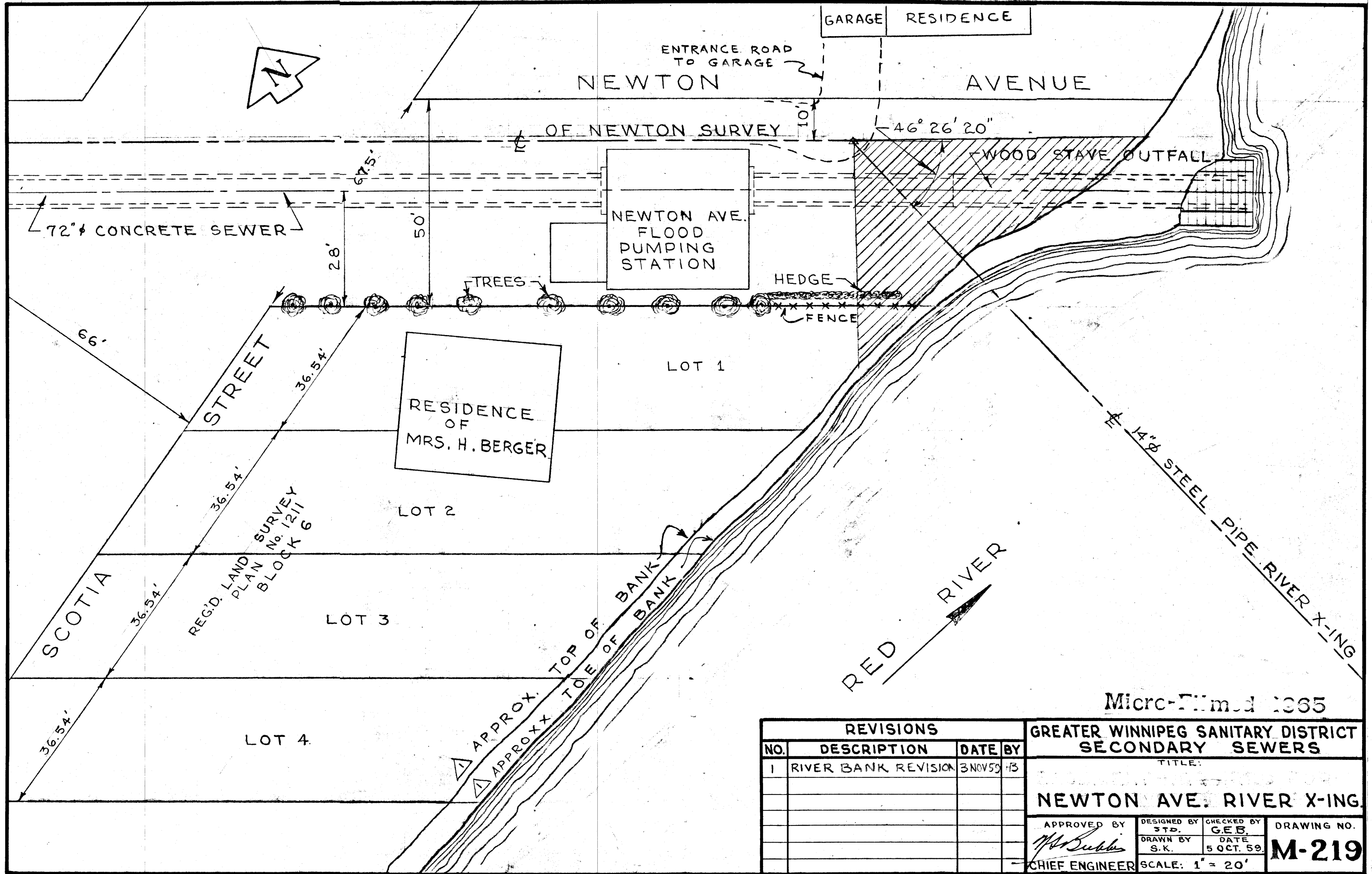
DATE  
JUNE 1988

PROJECT  
**NEWTON OUTFALL**

DETAIL NO.  
1

3DET-2342





Micro-filmed 1965

REVISIONS			
NO.	DESCRIPTION	DATE	BY
1	RIVER BANK REVISION	3 NOV 59	HS

GREATER WINNIPEG SANITARY DISTRICT  
SECONDARY SEWERS

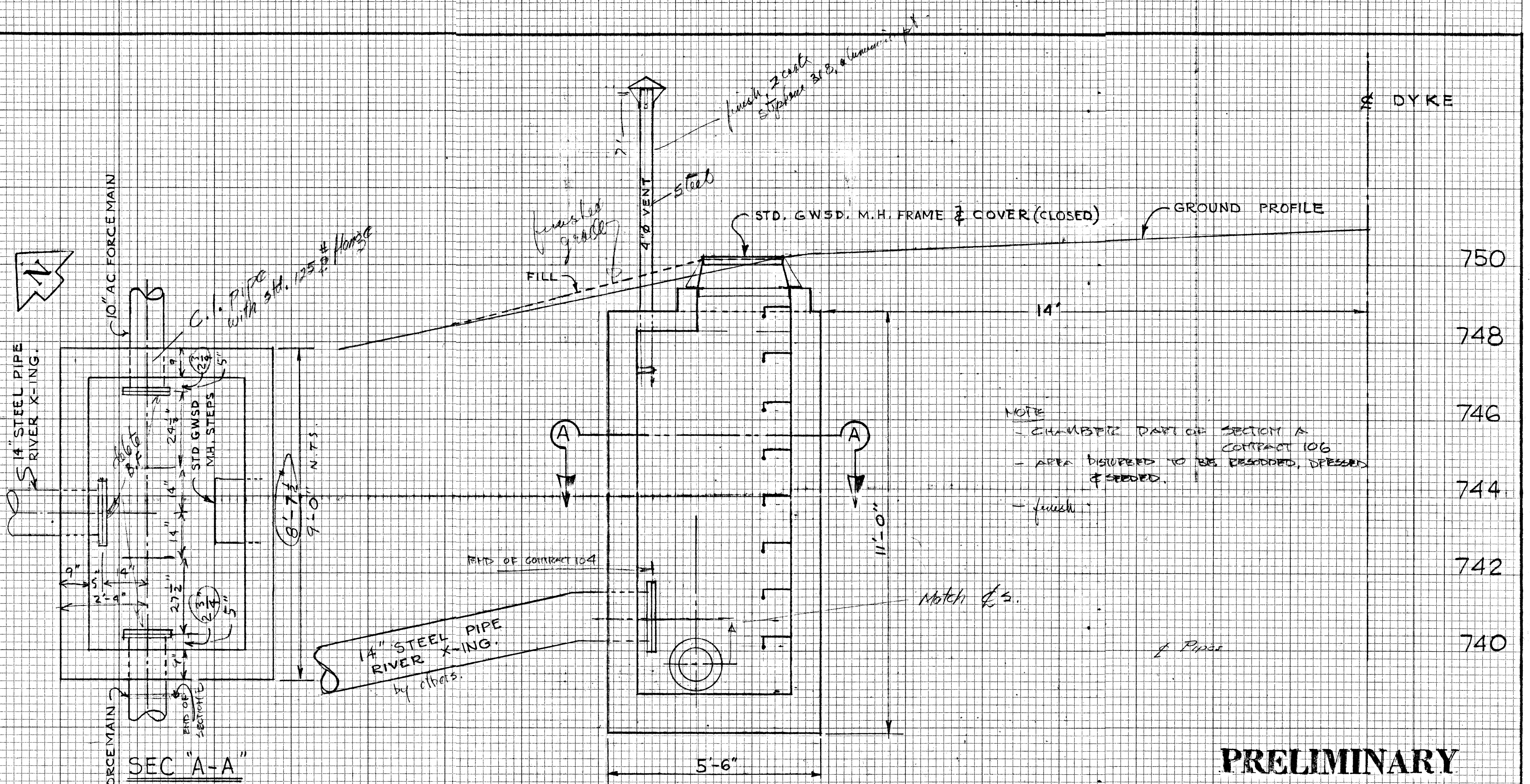
TITLE:  
**NEWTON AVE. RIVER X-ING.**

APPROVED BY <i>W. S. Subler</i> CHIEF ENGINEER	DESIGNED BY S.T.D.	CHECKED BY G.E.B.	DRAWING NO. <b>M-219</b>
	DRAWN BY S.K.	DATE 5 OCT. 59	

SCALE: 1" = 20'

FILE # SS 10181





NOTE  
 - CHAMBER PART OF SECTION A CONTRACT 106  
 - AREA DISTURBED TO BE RESODDED, DRESSED & SEED.  
 - finish

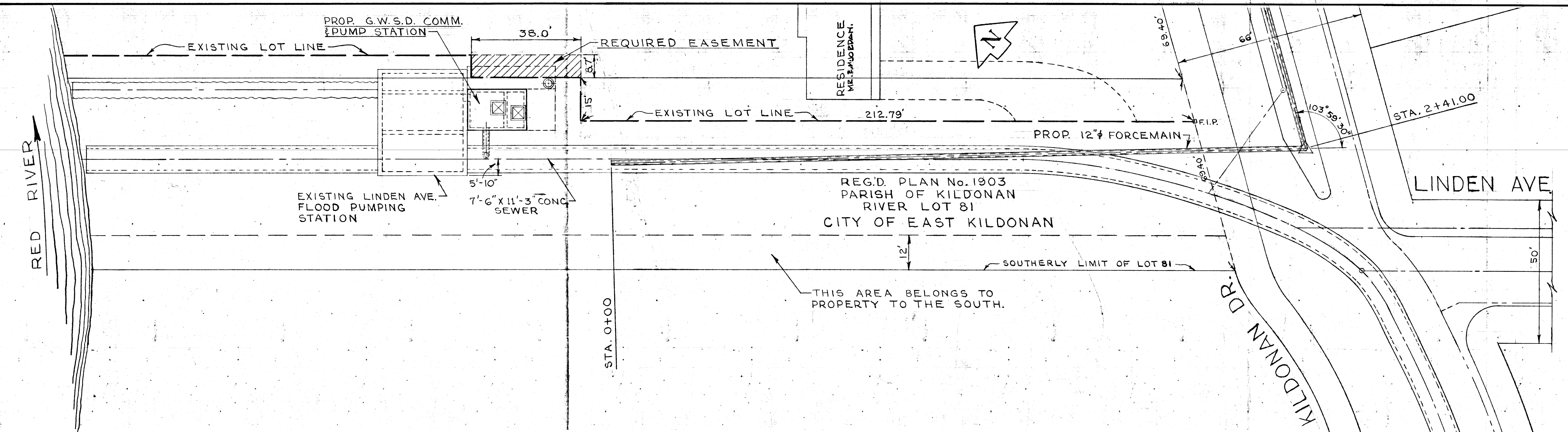
**PRELIMINARY**

GREATER WINNIPEG SANITARY DISTRICT		
DRAWN GEB & HS	DATE 19 OCT 59	TITLE:
TRACED	CHECKED	HEAD CHAMBER
APPROVED		NEWTON AVE
		RIVER X-ING
	SUPT.	
	NEW. MEN.	SCALE
		3/4" = 1'-0"
		DWG. NO.
		M-220

REFER DWG NO. 323 FOR LOCATION.

Micro-Filmed 1965  
 FILE # SS 10182





*file # SP 10488*

DWG. S-192 (SMALLER SCALE) SIMILAR PLAN USED.

**GREATER WINNIPEG SANITARY DISTRICT  
SECONDARY SEWERS**

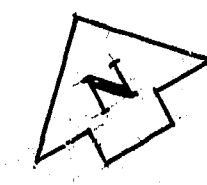
TITLE:  
**EASEMENT REQUIRED FOR  
LINDEN AVENUE  
COMM. & PUMPING STATION**

APPROVED BY	DESIGNED BY	CHECKED BY	DRAWING NO.
SUPT.	STD.	GEB	
	DRAWN BY	DATE	<b>M-221</b>
	S.K.	19 OCT 59	
CHIEF ENGINEER	SCALE: 1" INCH = 20' FT.		

Micro-Filmed 1965



RED RIVER



HAWTHORNE AVE.

KILDONAN DRIVE

54" Ø OUTFALL SEWER

MUNICIPAL GATE CHAMBER

72" Ø SEWER

66" Ø SEWER

6" STEEL BY PASS ENCASED IN CONC.

21" Ø CONC. VENT INTAKE

COMMUNICATOR & PUMPING STATION

13' X 14' SUPERSTRUCTURE

W. M.

10" A. C. FORCEMAIN

54" Ø SEWER

6" Ø W. M.

66'-0"

13'-0"

10'-10"

SCALE 1" = 10'  
4 FEB 1963

THE METROPOLITAN CORPORATION OF GREATER WINNIPEG  
**WATERWORKS & WASTE DISPOSAL DIVISION**  
 SEWAGE DISPOSAL BRANCH

**SITE PLAN**  
**HAWTHORNE COMM. & PUMP STA**

DESIGNED BY <i>A. Scannan</i>	CHECKED BY <i>FZB</i>	DRAWING NO. <b>M-234</b>
DRAWN BY <i>LB</i>	DATE 4 MAR 1963	
SCALE 1" = 10'		
CHIEF ENGINEER		