

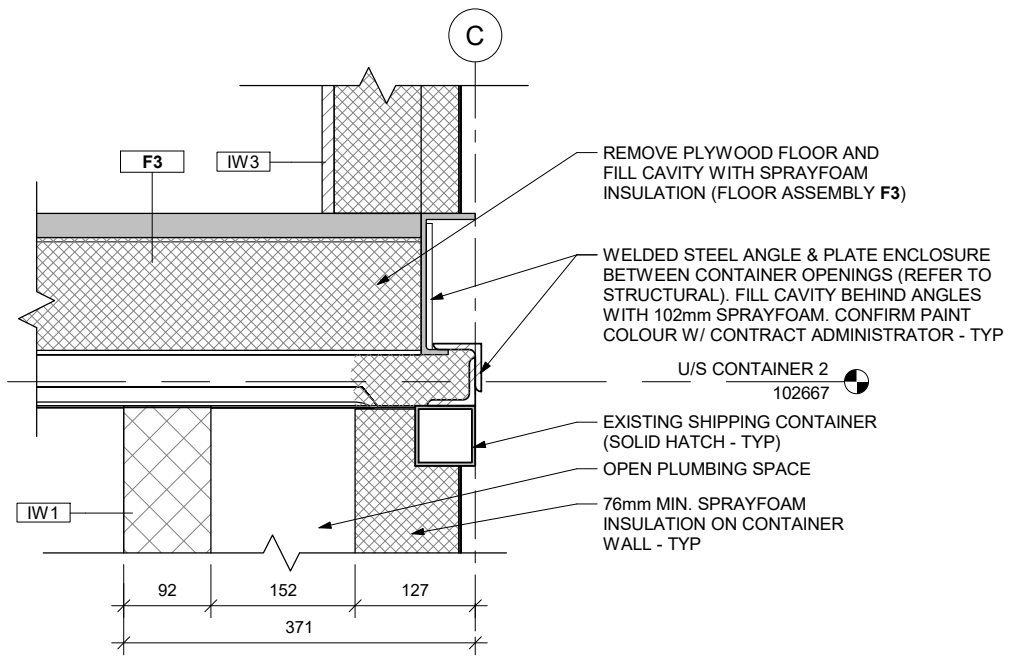


#	Issue/Revision	Date
1	ISSUED FOR CONSTRUCTION	MAR. 3, 2021
2	ADDENDUM #1	MAR. 15, 2021

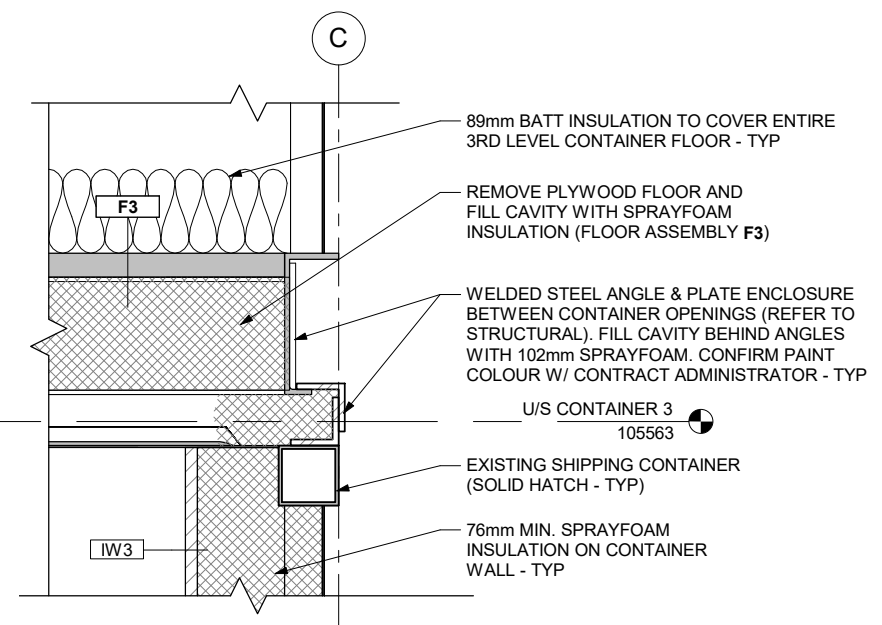
Drawing Title:
SECTION DETAILS

Sheet No:
A553

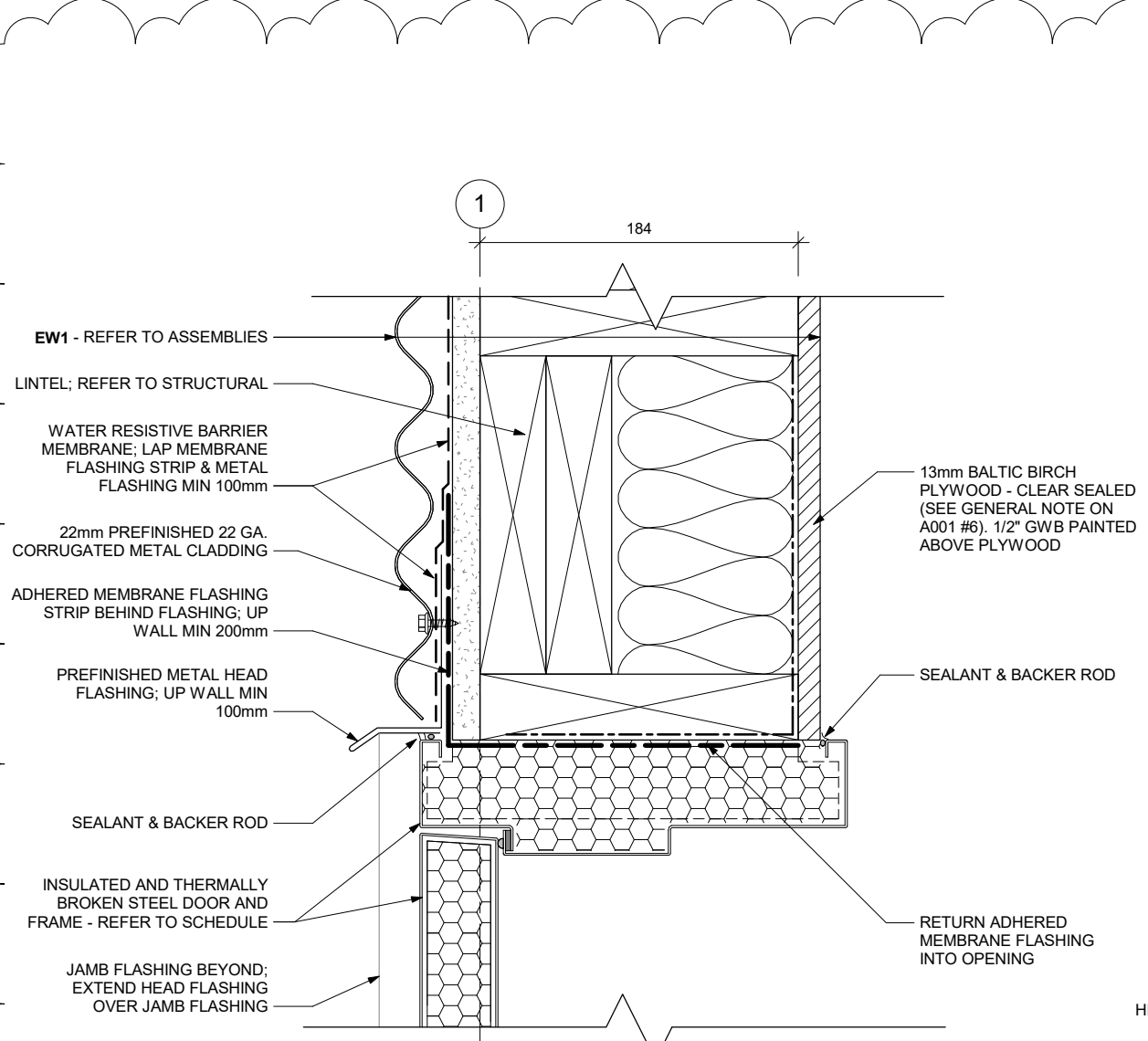
This drawing is property of the Architect and cannot be reproduced or used without the consent of the Architect. The contractor is responsible for checking and verifying all levels and dimensions and shall report all discrepancies to the Architect and obtain clarification prior to commencing work.



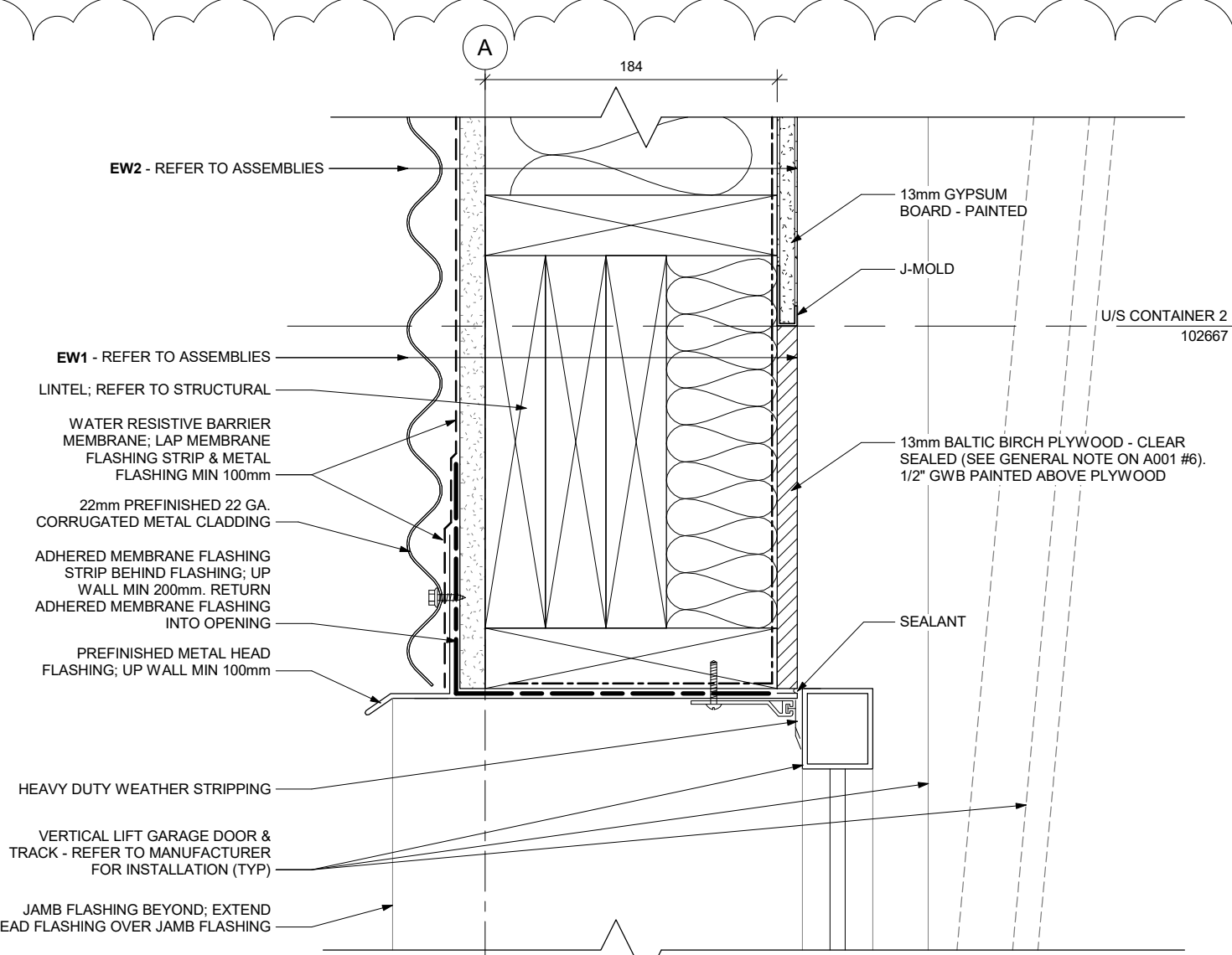
1 SECTION DETAIL - CONTAINER ENCLOSURE @ 1ST CONTAINER
1:8



2 SECTION DETAIL - CONTAINER ENCLOSURE @ 2ND CONTAINER
1:8



3 SECTION DETAIL - MAN DOOR HEAD
1:4



4 SECTION DETAIL - GARAGE DOOR HEAD
1:4