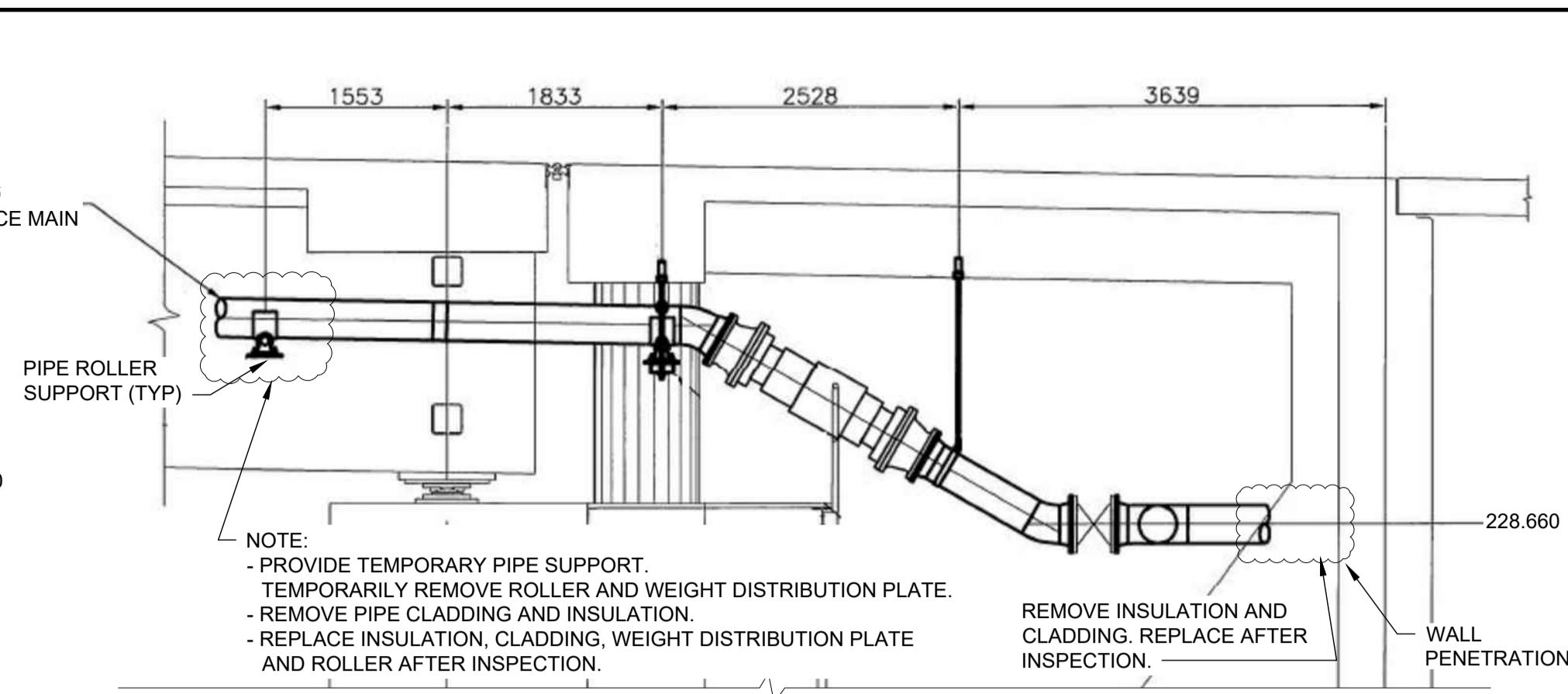
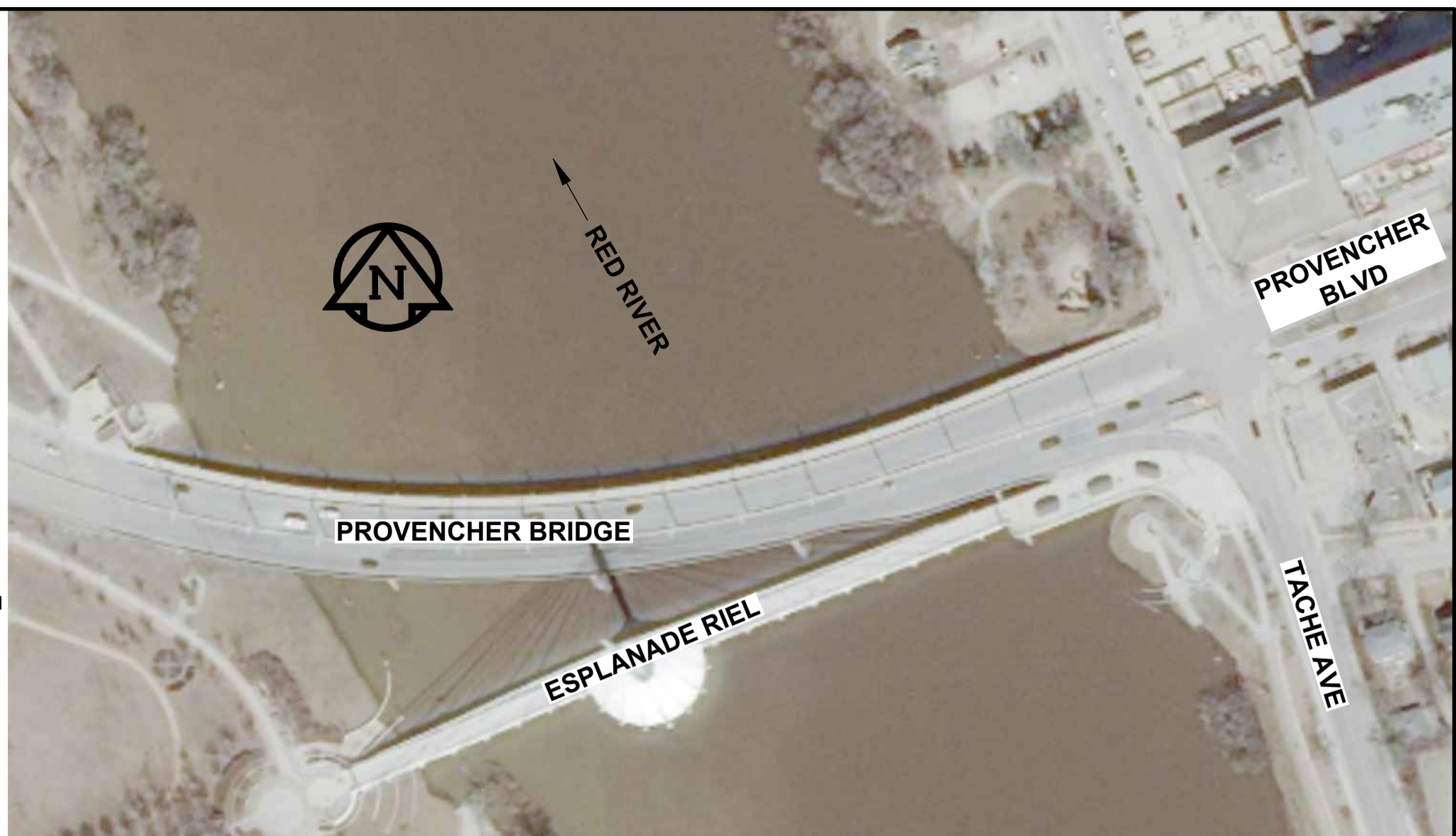


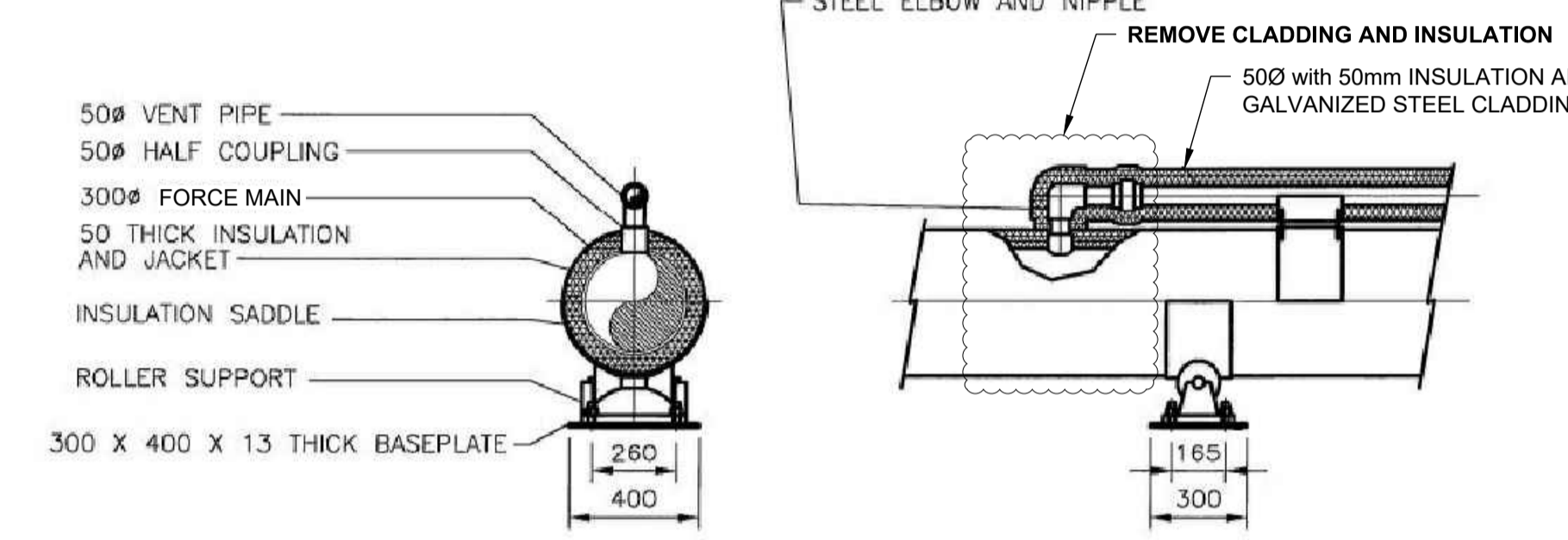
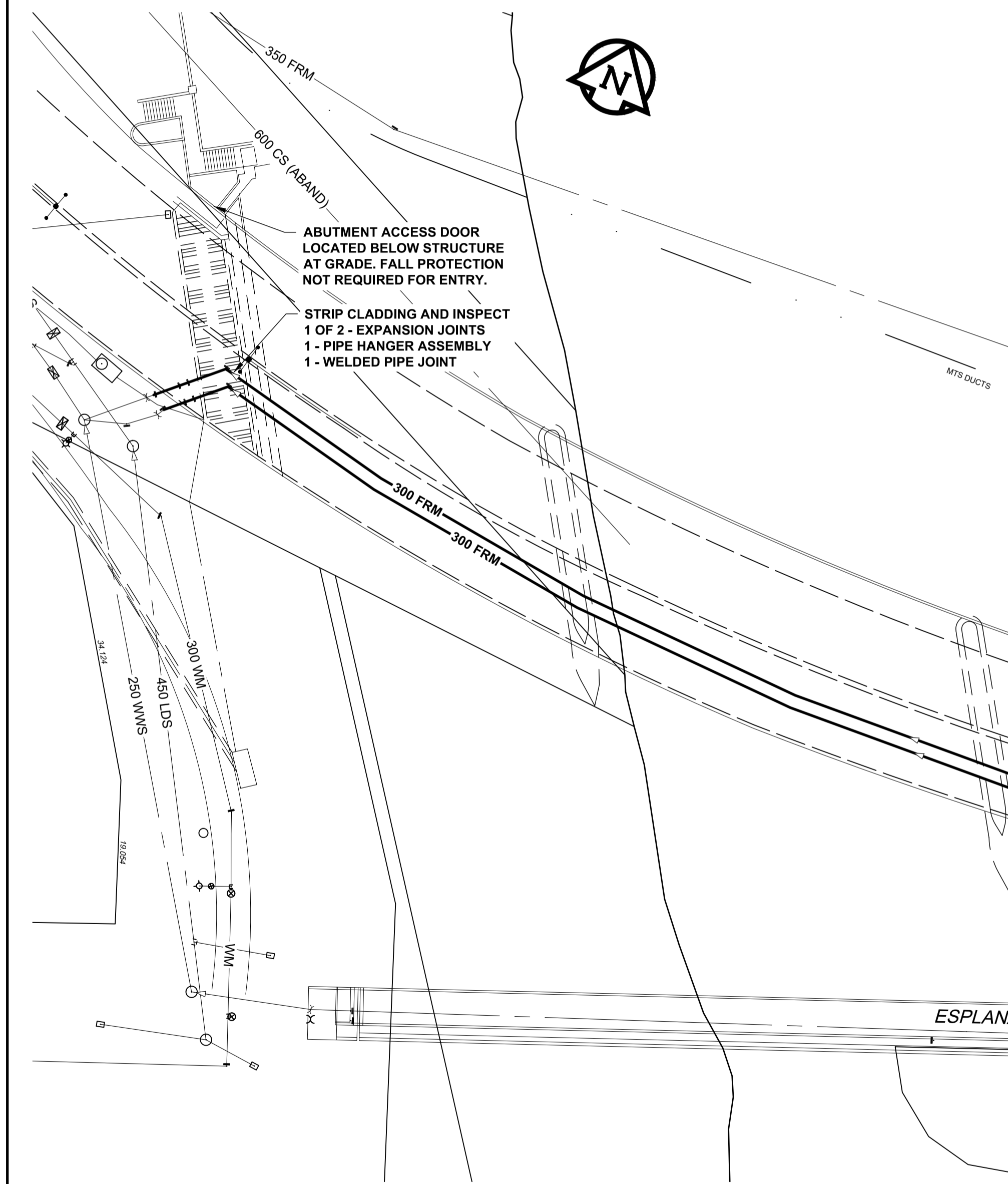
- EXISTING WEST ABUTMENT CHAMBER PROFILE
 REFERENCED FROM CITY DWG NUMBER B110-01-125C
 Scale N.T.S.



- EXISTING EAST ABUTMENT CHAMBER PROFILE
 REFERENCED FROM CITY DWG NUMBER B110-01-125C
 Scale N.T.S.

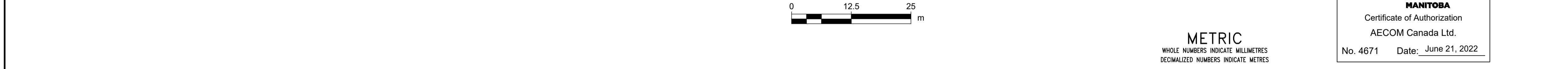


SITE PLAN
 Scale 1:1500
 0 37.5 75 m



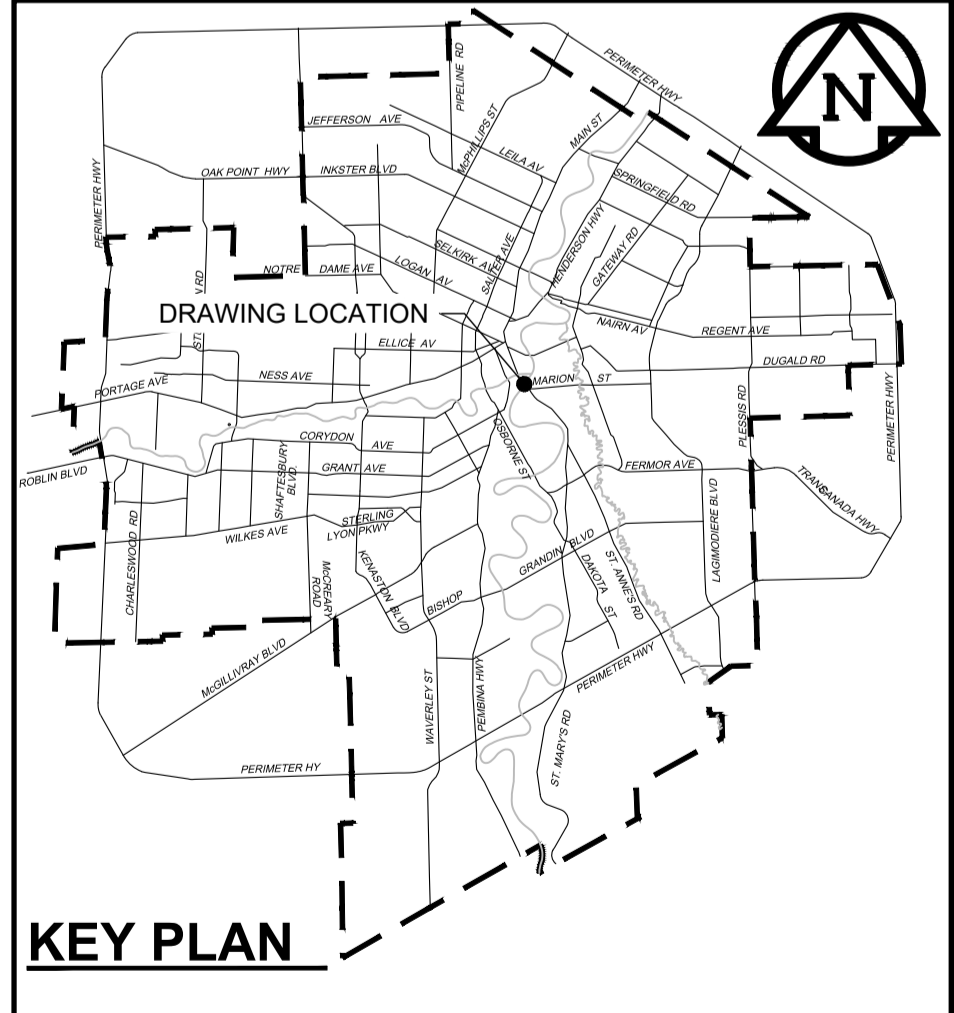
- EXISTING AIR RELEASE CONNECTION CONFIGURATION
 REFERENCED FROM CITY DWG NUMBER B110-01-124C
 Scale N.T.S.

- NOTES:**
SEQUENCE OF WORK:
 1. REMOVE PIPE CLADDING AND INSULATION AT LOCATIONS SPECIFIED.
 2. PERFORM INSPECTION USING REMOTE FIELD TECHNOLOGY EM TOOLS AT EACH LOCATION IDENTIFIED.
 3. REHABILITATE PIPE COATINGS AS REQUIRED.
 4. REINSTALL NEW INSULATION AND CLADDING. REFER TO DETAIL SHEET 13019.



PLAN
 Scale 1:500
 0 12.5 25 m

METRIC
 WHOLE NUMBERS INDICATE MILLIMETRES
 DECIMALIZED NUMBERS INDICATE METRES



KEY PLAN

<p>WARNING</p> <p>IF POWER EQUIPMENT OR EXPLOSIVES ARE TO BE USED FOR EXCAVATION ON THIS PROJECT THE CONTRACTOR MUST:</p> <p>1) NOTIFY THE GAS COMPANY OF THE PROPOSED LOCATION OF EXCAVATION.</p> <p>2) TAKE PRECAUTION TO AVOID DAMAGE TO GAS COMPANY INSTALLATIONS.</p> <p>SEE PROVINCIAL REGULATION 210/72 FOR DETAILS</p>	<p>LOCATION APPROVED UNDERGROUND STRUCTURES</p> <p>SUPV. U/G STRUCTURES COMMITTEE DATE</p> <p>NOTE:</p> <p>LOCATION OF UNDERGROUND STRUCTURES AS SHOWN ARE BASED ON THE BEST INFORMATION AVAILABLE BUT NO GUARANTEE IS GIVEN THAT ALL EXISTING UTILITIES ARE SHOWN OR THAT THE GIVEN LOCATIONS ARE EXACT. CONFIRMATION OF EXISTENCE AND EXACT LOCATION OF ALL SERVICES MUST BE OBTAINED FROM THE INDIVIDUAL UTILITIES BEFORE PROCEEDING WITH CONSTRUCTION.</p>	<p>B.M. 84R505 N.W. Cor. Saskatchewan Ave. & Midland St., Tbt. on top of 0.05 m dia. x 1.2 m iron pipe 10.2 m S. of N.L. of Saskatchewan Ave. & 5.6 m E. of W.L. of Midland St.</p> <p>CONSTRUCTION COMPLETION DATE: YYYY MM DD</p> <table border="1"> <tr> <th>NO.</th> <th>ISSUED FOR TENDER</th> <th>DATE</th> <th>BY</th> </tr> <tr> <td>0</td> <td>ISSUED FOR TENDER</td> <td>22/06/15</td> <td>ADL</td> </tr> <tr> <th>NO.</th> <th>REVISIONS</th> <th>DATE</th> <th>BY</th> </tr> </table>	NO.	ISSUED FOR TENDER	DATE	BY	0	ISSUED FOR TENDER	22/06/15	ADL	NO.	REVISIONS	DATE	BY	<p>AECOM</p> <table border="1"> <tr> <td>DESIGNED BY</td> <td>TJB</td> <td>CHECKED BY</td> <td>MGM</td> </tr> <tr> <td>DRAWN BY</td> <td>ADL</td> <td>APPROVED BY</td> <td>KWF</td> </tr> <tr> <td>SCALE:</td> <td colspan="3">HORIZONTAL AS NOTED</td> </tr> <tr> <td>VERTICAL</td> <td colspan="3">N/A</td> </tr> <tr> <td>DATE</td> <td>2022 06 21</td> <td>DATE</td> <td>Jun 21/22</td> </tr> </table> <p>Paul Bortoluzzi</p>	DESIGNED BY	TJB	CHECKED BY	MGM	DRAWN BY	ADL	APPROVED BY	KWF	SCALE:	HORIZONTAL AS NOTED			VERTICAL	N/A			DATE	2022 06 21	DATE	Jun 21/22	<p>ENGINEER'S SEAL</p> <p>ORIGINAL SIGNED BY J. Thompson June 21, 2022</p> <p>CONSULTANT DRAWING NUMBER C-1002</p>	<p>THE CITY OF WINNIPEG WATER AND WASTE DEPARTMENT ENGINEERING DIVISION</p> <p>PROVISION OF PIPELINE ACCESS MODIFICATIONS, CLEANING AND SUPPORT SERVICES FOR RIVER CROSSING INSPECTIONS - PHASE THREE</p> <p>SITE 2 PROVENCHER BRIDGE FORCE MAINS</p>	<p>SHEET 03 OF 11 CITY DRAWING NUMBER 13018</p>
			NO.	ISSUED FOR TENDER	DATE	BY																																
0	ISSUED FOR TENDER	22/06/15	ADL																																			
NO.	REVISIONS	DATE	BY																																			
DESIGNED BY	TJB	CHECKED BY	MGM																																			
DRAWN BY	ADL	APPROVED BY	KWF																																			
SCALE:	HORIZONTAL AS NOTED																																					
VERTICAL	N/A																																					
DATE	2022 06 21	DATE	Jun 21/22																																			
<p>ENGINEERS GEOSCIENTISTS MANITOBA Certificate of Authorization AECOM Canada Ltd. No. 4671 Date: June 21, 2022</p>																																						