

NOTE: CHAINAGES SHOWN ARE ALONG ϕ OF 1850 CONC LDS

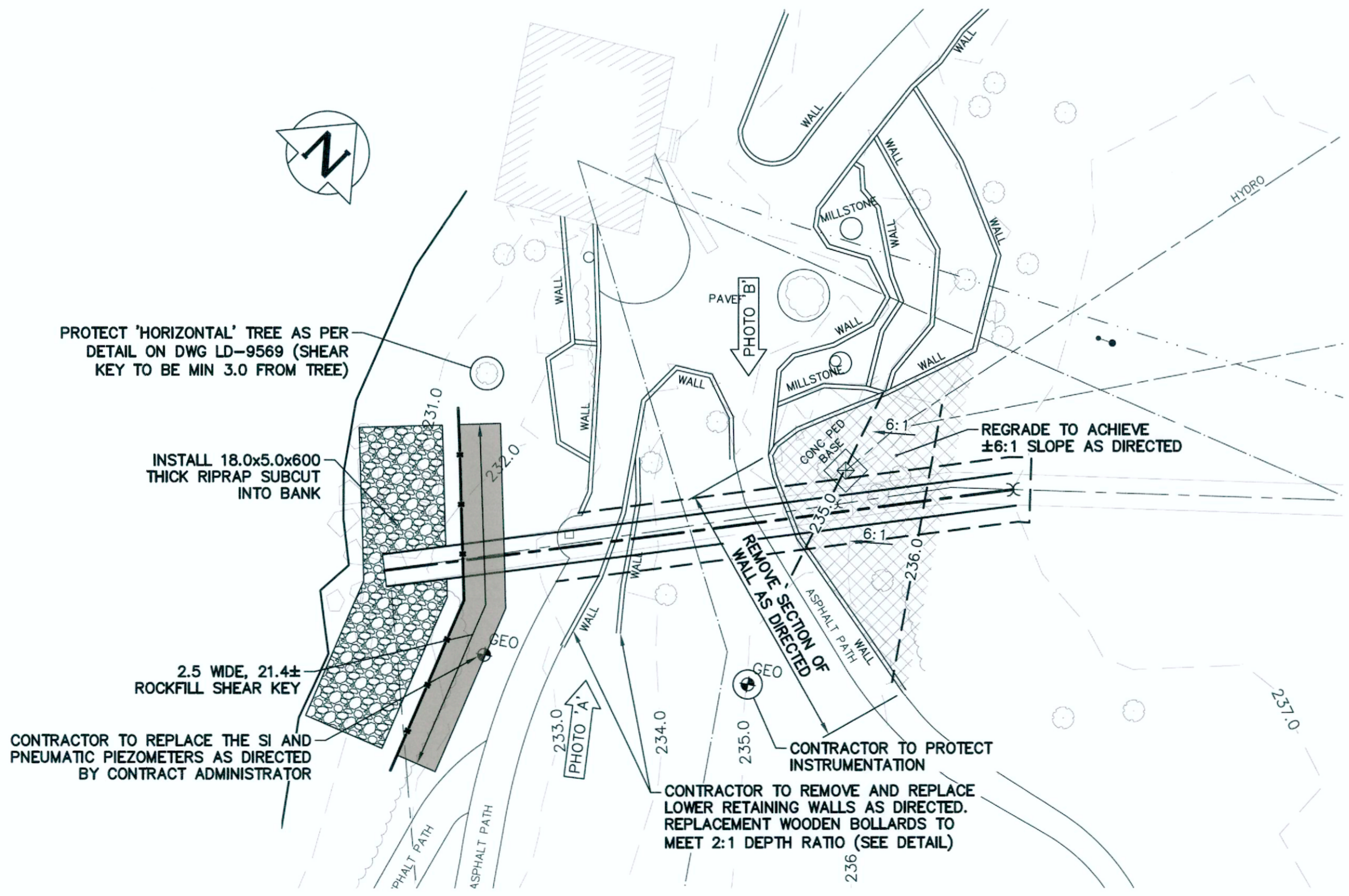
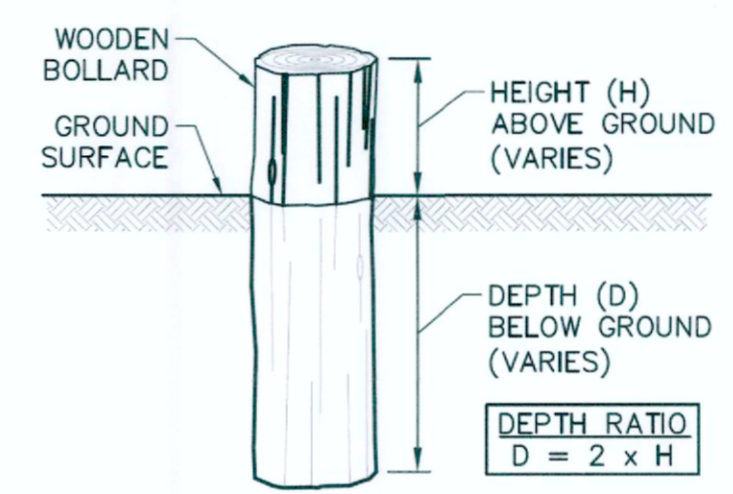


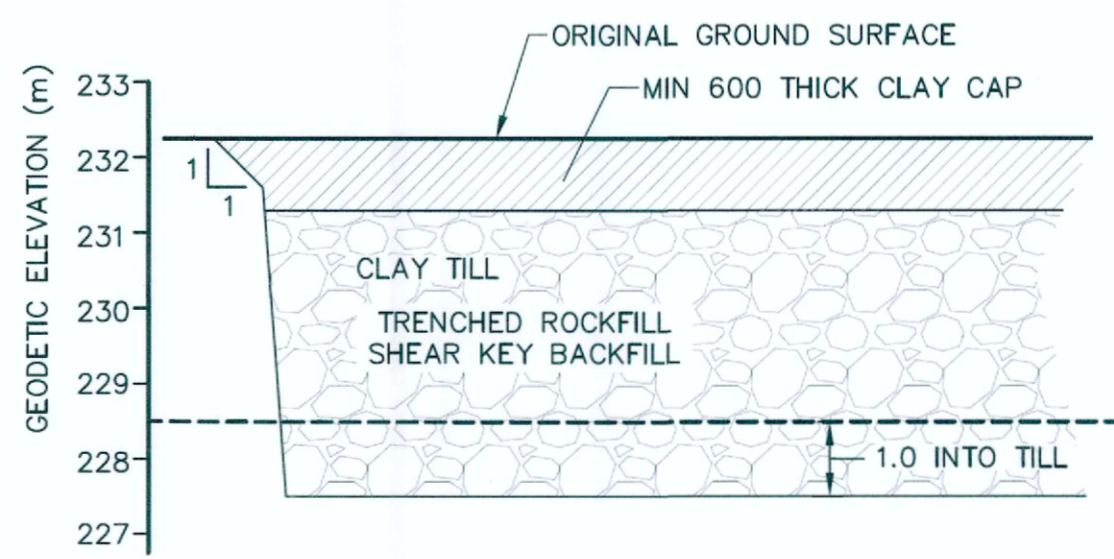
PHOTO 'A'
(TO BE REMOVED AND REPLACED)



PHOTO 'B'
(TO BE REPLACED AS REQUIRED)



WOODEN BOLLARD DEPTH RATIO DETAIL
SCALE: NTS

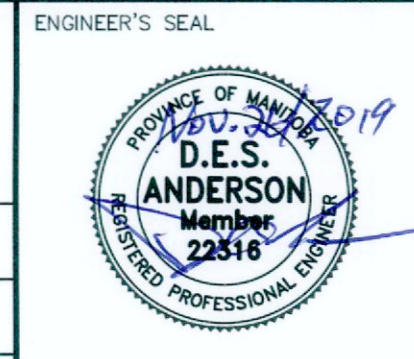


TRENCHED ROCKFILL SHEAR KEY
SCALE: NTS

- NOTES:
1. SHEAR KEY TO BE EXCAVATED 1000 INTO COMPETENT TILL OR AS APPROVED BY CONTRACT ADMINISTRATOR.

PROPERTY LIMITS DELINEATION
DELINEATION OF PROPERTY LIMITS AS SHOWN ON THIS DWG DOES NOT REPRESENT A "LEGAL SURVEY". KGS GROUP MAKES NO REPRESENTATION OR WARRANTY AS TO THE ACCURACY OF PROPERTY LIMITS DELINEATED ON THIS DWG, NOR ON THE DIMENSIONAL ACCURACY OF DWG FEATURES RELATIVE TO THOSE PROPERTY LIMITS.

KGS GROUP
ENGINEERS
GEOSCIENTISTS
MANITOBA
Certificate of Authorization
KGS Group
No. 245

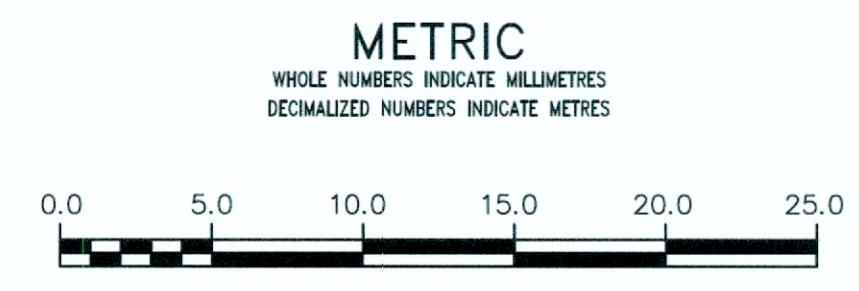


THE CITY OF WINNIPEG
WATER AND WASTE DEPARTMENT
ENGINEERING DIVISION

LODGE AVENUE OUTFALL
RENEWAL AND REHABILITATION
LODGE AVENUE OUTFALL
GEOTECHNICAL WORKS

SHEET 4 OF 7
CITY DRAWING NUMBER
LD-9568

FOR INDEX PAGE
SEE DWG LD-9566



WARNING
IF POWER EQUIPMENT OR EXPLOSIVES ARE TO BE USED FOR EXCAVATION ON THIS PROJECT THE CONTRACTOR MUST:
1) NOTIFY THE GAS COMPANY OF THE PROPOSED LOCATION OF EXCAVATION.
2) TAKE PRECAUTION TO AVOID DAMAGE TO GAS COMPANY INSTALLATIONS.
SEE PROVINCIAL REGULATION 210/72 FOR DETAILS

LOCATION APPROVED
UNDERGROUND STRUCTURES
SUPV. U/G STRUCTURES COMMITTEE DATE
NOTE:
LOCATION OF UNDERGROUND STRUCTURES AS SHOWN ARE BASED ON THE BEST INFORMATION AVAILABLE BUT NO GUARANTEE IS GIVEN THAT ALL EXISTING UTILITIES ARE SHOWN OR THAT THE GIVEN LOCATIONS ARE EXACT. CONFIRMATION OF EXISTENCE AND EXACT LOCATION OF ALL SERVICES MUST BE OBTAINED FROM THE INDIVIDUAL UTILITIES BEFORE PROCEEDING WITH CONSTRUCTION.

NO.	REVISIONS	DATE	BY
1	REISSUED FOR TENDER	2019 11 25	DEA
0	ISSUED FOR TENDER	2019 11 15	DEA

DESIGNED BY		CHECKED BY	
AKC		DEA	
DRAWN BY		APPROVED BY	
GEL		DEA	
SCALE:		RELEASED FOR CONSTRUCTION	
HORIZONTAL	1: 250		KZ
VERTICAL	1: 50		
DATE	2019 11 25	DATE	2019 11 14

ENGINEER'S SEAL
CONSULTANT DRAWING NUMBER
LD-9568